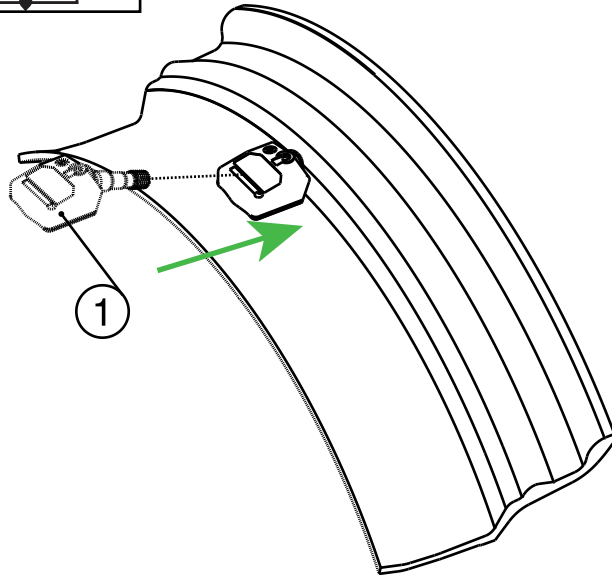



Fixed Angle Sensors

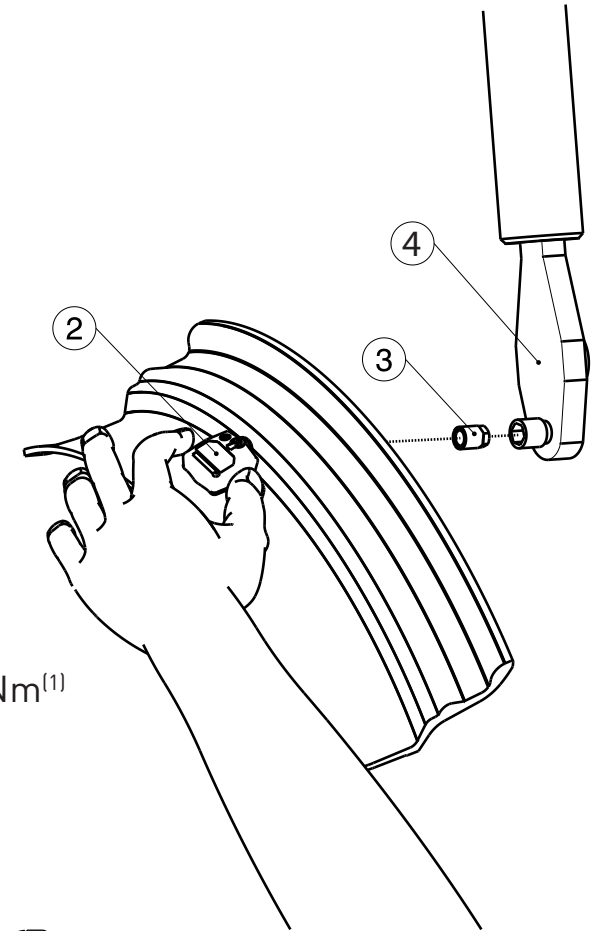
Quick Guide

Applicable to Gen J, Gen 2/3 sensors only.
Refs 3017, 3031, 3037, 3043, 3053, 3054 - More on tpmseuroshop.com

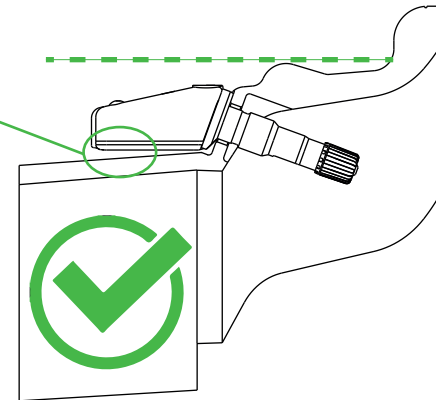


③  SW= 11mm

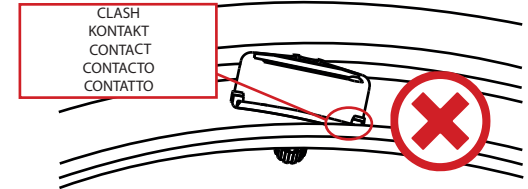
④  M=6, 7.5 or 8 Nm⁽¹⁾
(1) Please verify the correct Torque value on the label of your box



NO CLASH
KEIN KONTAKT
PAS DE CONTACT
NINGUN CONTACTO
NESSUN CONTATTO



CLASH
KONTAKT
CONTACT
CONTACTO
CONTATTO



NOTE:
Sensors images shown in this guide are for illustration purposes only!
Physical sensor body may be different.

Non contractual document. For more technical information, please contact your supplier or our staff using the contact information listed on the left part of this document.

EUROPE
AFTERMARKET (TPMS-SALES & SUPPORT)
Hotline: 00800 5555 8767 (toll free)
E-mail: info@tpmseuroshop.com
URL: www.tpmseuroshop.com

NORTH AMERICA
AFTERMARKET (TPMS-SALES & SUPPORT)
Hotline: 1-800-288-1804
E-mail: info@tpmseuroshop.com
URL: www.schraderinternational.com