

REN103/REN116

Equivalent to OEM: 5010216437 / 5010422593

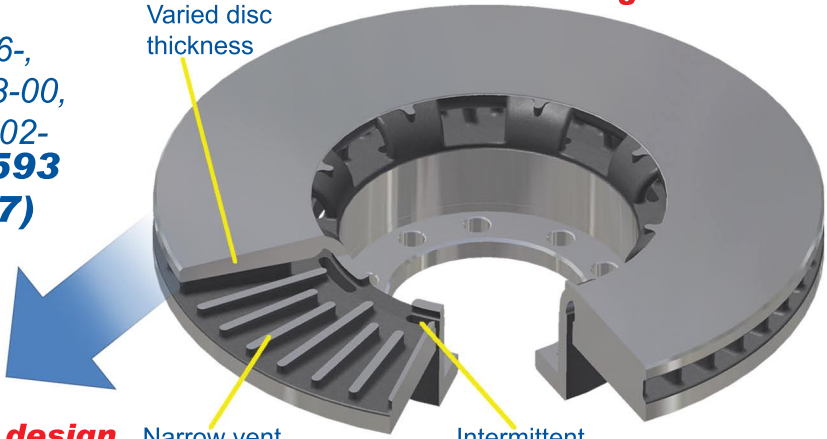


REN172



RENAULT:
Magnum 93-00, Magnum 06-,
Magnum E Tech 00-, Major 93-00,
Manager 93-00 & Premium 02-
Equivalent to 5010422593
(Replaces 5010216437)

REN103 - Old design



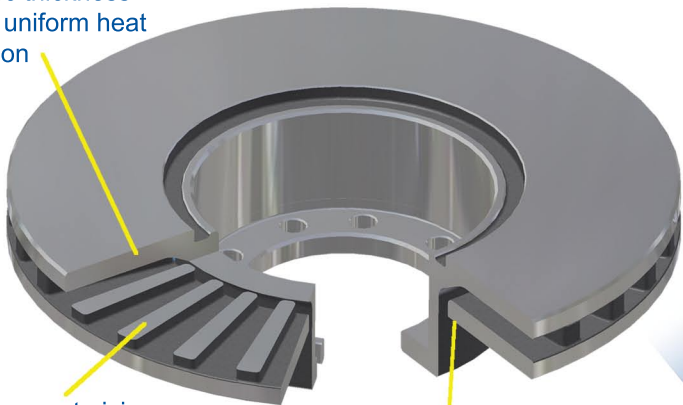
Varied disc thickness

Narrow vent

Intermittent vent gaps

REN116 - Intermediate design

Even disc thickness creating uniform heat distribution



Thicker vent giving added strength making it less prone to warping

Increased vent gap, across whole diameter of disc, thus creating greater airflow

REN172 - New design

This new design improves the airflow and heat distribution, making the disc less likely to crack under severe conditions



New "DIAMOND" shaped pillar vent to substantially increase airflow

Evenly distributed vents giving greater support to the braking surface, reducing the risk of high spots

www.juratek.com

