



VCA Headquarters

1 The Eastgate Office Centre
Eastgate Road
Bristol, BS5 6XX
United Kingdom

Switchboard: +44 (0) 117 951 5151
Direct line: +44 (0) 117 952⁴¹⁷¹
Main Fax: +44 (0) 117 952 4103
Email: enquiries@vca.gov.uk
Web: www.vca.gov.uk

THE UNITED KINGDOM VEHICLE APPROVAL AUTHORITY

Rev 1/03



COMMUNICATION CONCERNING THE APPROVAL GRANTED OF
A REPLACEMENT BRAKE LINING ASSEMBLY OR REPLACEMENT
DRUM LINING PURSUANT TO ECE REGULATION NO: 90.01

Approval No: 90R-01183/3379

1. Applicant's name and address:

Juratek Ltd. Unit 16, Carcroft Enterprise Park, Station Road, Doncaster DN6 8DD

2. Manufacturer's name and address:

3. Make and type of brake lining assembly: DP7797, DP9942.

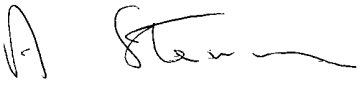
4. Make and type of brake lining: LE M10B FF

5. Vehicles/axles/brakes for which the brake lining assembly/drum brake lining type qualifies as original brake lining assembly: Not applicable

6. Vehicles for which the brake lining assembly qualifies as replacement brake lining assembly: See manufacturers documents

An executive agency of the Department for Transport



7. Submitted for approval on: 6 December 2006
8. Technical Service responsible for approval tests: Vehicle Certification Agency
- 8.1 Date of test report: 14/08/06, 4/10/06, 20/11/06.
- 8.2 Number of test report: VSG 076368, VSG 078083, VSG 078084.
9. Approval GRANTED
10. Place: BRISTOL
11. Date: 27 MARCH 2007
12. Signature:  A. W. STENNING
Head of Product Certification
13. Annexed to this communication is a list of documents in the approval file deposited at the administrative services having delivered the approval and which can be obtained upon request.

VSG173050



06/12/06	VCA Job No	VSG173050
----------	------------	-----------

Dear Ted,

Please find enclosed the necessary documentation for you to submit applications for approval for various brake lining assemblies DP7797, DP9942 in LE M10B FF material pursuant to ECE Regulation No. 90/1. This application is on behalf of Juratek Ltd and cross-references to our DP LE M10B FF application details. We would like the application made to the VCA; I have addressed the formal letter of application accordingly.

The documents contained are: -

1. Formal letter of application
2. Manufacturers declarations
3. Lab test results :-
 - Friction test results
 - Shear test results
 - Compressibility test results
4. Vehicle fitment details
5. Disc pad assembly drawings
6. General disc pad marking drawing

Please note: Allocated with E11 90R-01183/3379 as a provisional number. This approval is based on VSG076368, VSG078083 and VSG078084 plus additional OE Materials testing on VSG075132.

Yours sincerely,



Susan Owens
Q.B.T.



06/12/06	VCA Job No	VSG173050
----------	-------------------	-----------

Vehicle Certification Agency
1 Eastgate Office Centre
Eastgate Road
Bristol
BS5 6XX

Letter of application for an approval pursuant to ECE Regulation No. 90/1

Dear Sirs,

Herewith we apply for an approval for our brake lining assembly pursuant to ECE Regulation No. 90/1.

Applicants name and address:

Juratek Ltd. Unit 16, Carcroft Enterprise Park, Station Road, Doncaster DN6 8DD

Manufacturers name and address:

Make and type of brake lining	LE M10B FF
Make and type of brake lining assembly	as listed below

Assembly Number	Assembly Contains...(see enclosed drawings)	Material Code
DP7797	2 pads with spring wear indicators , 2 pads with spring wear indicators (handed)	LE M10B FF
DP9942	2 plain pads, 2 pads with spring wear indicators	LE M10B FF



06/12/06	VCA Job No	VSG173050
----------	-------------------	-----------

For vehicles / axles / brakes for which the lining assembly qualifies as replacement brake lining assembly, see following application list.

Assembly Number	Equivalent to	Also supplied as Assembly Number
DP7797 LE M10B FF	Equivalent to	SLB175 leca- M10B FF
DP9942 LE M10B FF	Equivalent to	SLB370 leca- M10B FF
	Equivalent to	

Yours faithfully



Susan Owens
Q.B.T.



06/12/06	VCA Job No	VSG173050
----------	------------	-----------

Manufacturer's Declaration

for granting of Approval for replacement brake lining according to ECE Regulation No. 90/1.

We, the company Juratek Ltd.

declare herewith that

Replacement pad assemblies DP7797 LE M10B FF, DP9942 LE M10B FF,

are produced in our factory

We certify that no application has been made regarding this permission/approval by us or by companies appointed by us in countries which as contract parties would also be entitled to grant permission/approval.

We are aware of the following: -

A type marking of vehicles/vehicle components of the above mentioned type with the officially assigned approval mark can only be granted if the products have been manufactured in the above mentioned factory or at one of our listed and approved manufacturing sites, and if they comply with the official approval documents.

Companies manufacturing products for our company or under license may not use the officially assigned approval mark for vehicles/vehicle components produced at their factories unless they are listed as an approved manufacturing site, and fully comply with our quality procedures.

A marking of vehicles/vehicle components of the above mentioned type with different factory or trade marks but the same approval mark is only permissible if written consent has been obtained from the Vehicle Certification Agency.



Susan Owens
Q.B.T.



06/12/06	VCA Job No	VSG173050
----------	------------	-----------

Friction test results

Conducted in accordance with Annex 8, of ECE Regulation No. 90 Rev1 including supplement 2 to the 01 series of amendments. (TRANS/SC1/WP29/GRRF/R90 Rev 1).

Type of assembly: Part Number DP11011 in material 1019B
(Previously agreed single test reference)

Type of test:	Constant torque (para. 2.2.2.2)
$\mu_{op: 1}$	0.311
$\mu_{op: 2}$	0.332
$\mu_{min:}$	0.208
$\mu_{max:}$	0.431

Test dates: 08/06/2006



Susan Owens
Q.B.T.



06/12/06	VCA Job No	VSG173050
----------	------------	-----------

Bench tests

Manufacturer:			
Type of brake lining assy:	DP11011 LE M10B FF	Page	1/2

1. Shear strength test¹
(5.3.2.1 of ECE Regulation No. 90 Rev 1)

- Sample

Type of assembly: DP11011 LE M10B FF
Shear area [cm²]: 43.24

- Shear strength measured

Mean value [N/cm²]: 634.6
Required [N/cm²]: 250

Test date: 08/06/2006

1) Test procedure according to ISO Standard 6312 (2001)



Susan Owens
Q.B.T.



06/12/06	VCA Job No	VSG173050
----------	------------	-----------

Manufacturer:			
Type of brake lining assy:	DP11011 LE M10B FF	Page	2/2

2. Compressibility test²
(5.3.2.2 of ECE Regulation No. 90 Rev 1)

- Sample

Type: III
Type of assembly: DP11011 LE M10B FF
Thickness, d_0 (nominal value) [mm]: 12.9
Pad area [cm²]: 43.24
Ram dia (corresponding to caliper piston dia) [mm]: 51.48

- Compressibility at specific surface pressure of 8000 kPa

Measured at ambient temperature

$$\text{Mean value: } \frac{d_4 - d'_3}{d_0} = 0.23 \%$$

Required: $\leq 2\%$

Measured at 400°C

$$\text{Mean value: } \frac{d_4 - d'_3}{d_0} = 0.838\%$$

Required: $\leq 5\%$

Test dates: 085/062/2006

2) Test procedure according to ISO Standard 6310 (2001)



Susan Owens
Q.B.T.

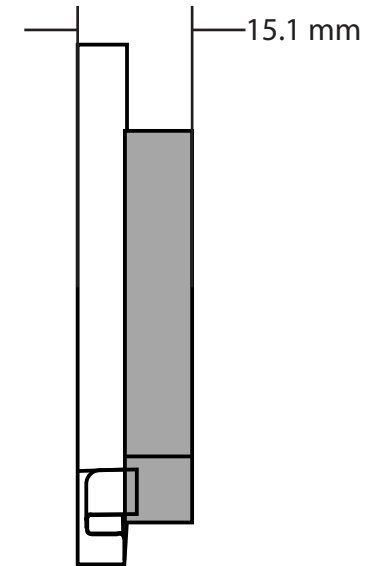
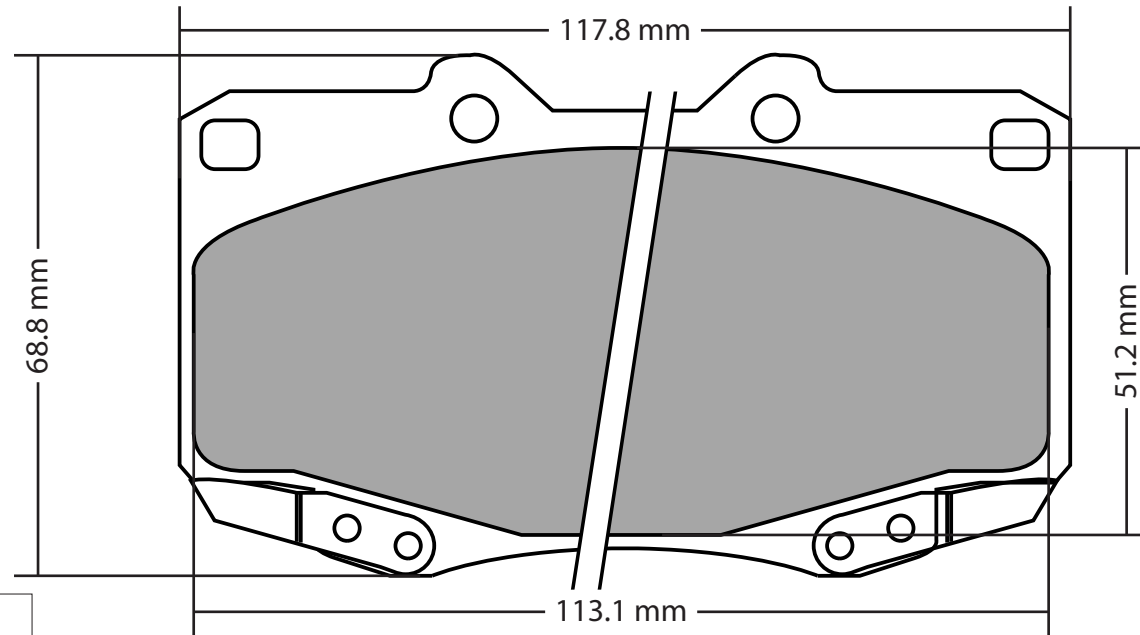
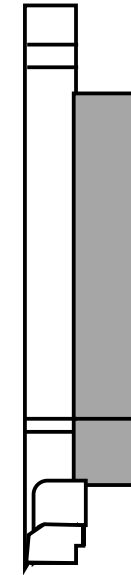
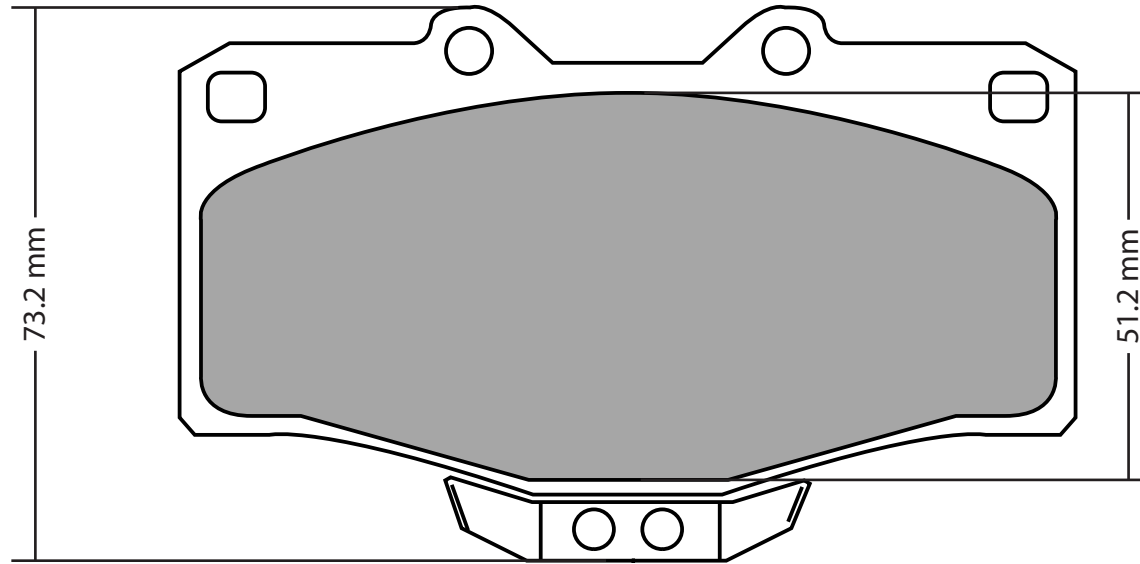



MAKE	MODEL 1	MODEL 2	MODEL 3	MODEL 4	MODEL 5	F/R	D	A	T	E	OE Caliper Manufacturer	S/V Dr	Disc / Drum / Dia	Max Th
														Disc / Shoe Width
DP7797	TOYOTA	4 Runner (-->96)	2.4 (22RE)			F	08	88	01	93	Sumitomo	V	289	20
DP7797	TOYOTA	Landcruiser -->96	3.0, 3.4, 4.0, 4.2, 4.5	ABS		F	01	90	08	92	Sumitomo	V	285	25
DP7797	TOYOTA	Landcruiser -->96	3.0, 3.4, 4.0, 4.2, 4.5	ABS		F	08	92	04	96	Sumitomo	V	312	32
DP7797	TOYOTA	Hi-Lux (88-94)	2.0, 2.2 (RN, YN106, RN, YN110 - 4x4)			F	08	88	09	94	Sumitomo	V		
DP7797	TOYOTA	Hi-Lux (88-94)	2.4 (LN105, RN106 - 4x4)			F	08	88	09	94	Sumitomo	V		
DP7797	TOYOTA	Hi-Lux (94-->)	2.2 (RN106, RN110)			F	09	94			Sumitomo	V		
DP7797	TOYOTA	Hi-Lux (94-->)	2.4 (LN85, LN90, LN108, LN110)	4x4		F	09	94			Sumitomo	V		
DP7797	VOLKSWAGEN	Taro	1.8, 2.5 Diesel	4x4		F	01	89	07	96	Sumitomo	V	257	25
DP9942	TOYOTA	Hi-Lux (88-94)	1.8 (YN85 - RWD)			F	08	88	09	94	Sumitomo	V	257	25
DP9942	TOYOTA	Hi-Lux (94-->)	2.4 (LN85, LN90, LN108, LN110)	except 4x4		F	09	94			Sumitomo	V		



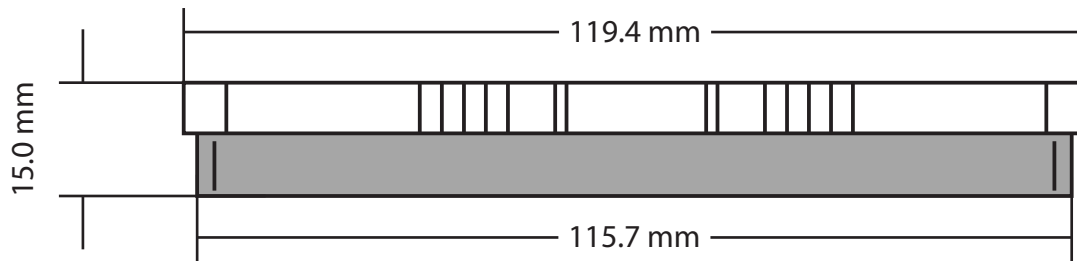
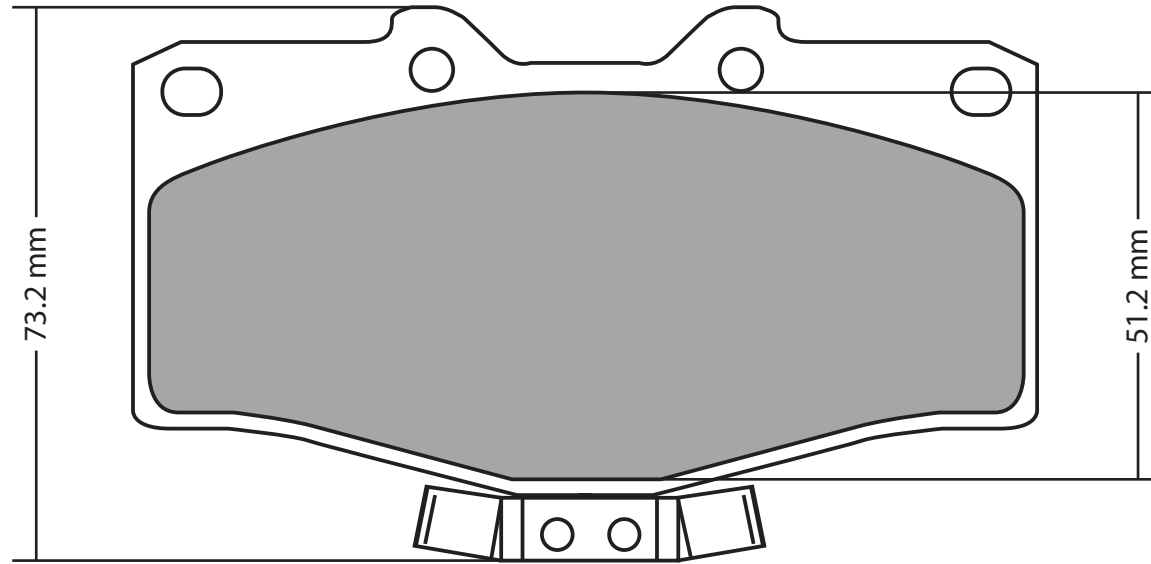
CALIPER ACTUATION	BRAKING SPLIT F/R, DIAG or H / I	CALIPER PISTON DIA	HERST NUMBER	TYP / SCHL NUMBER	MAX SPEED Km/h	80% V MAX Km/h	VEHICLE /		ENERGY FACTOR .5 MV 2	MAXIMUM ROLLING RADIUS	INERTIA UNLADEN	VEHICLE INERTIA LADEN
							AXLE WEIGHT UN-LADEN	VEHICLE WEIGHT LADEN				
Hyd			7104	217, 264	165	132	1775	2510	21867120	0.33	74.4195375	105.235515
Hyd			7104	369, 370, 396,	155	124	1725	2800	21526400	0.33	72.3232125	117.3942
Hyd			7104	369, 370, 396,	155	124	1725	2800	21526400	0.33	72.3232125	117.3942
Hyd			7104		150	120	1265	2460	17712000	0.33	53.0370225	103.13919
Hyd			7104		150	120	1265	2460	17712000	0.33	53.0370225	103.13919
Hyd			7104	521, 525, 520,	145	116	1400	2515	16920920	0.33	58.6971	105.4451475
Hyd			7104	521, 525, 520,	145	116	1400	2515	16920920	0.33	58.6971	105.4451475
Hyd					150	120	1265	2460	17712000	0.33	53.0370225	103.13919
Hyd			7104	510, 511, 512	150	120	1265	2460	17712000	0.33	53.0370225	103.13919
Hyd			7104	521, 525, 520,	145	116	1400	2515	16920920	0.33	58.6971	105.4451475




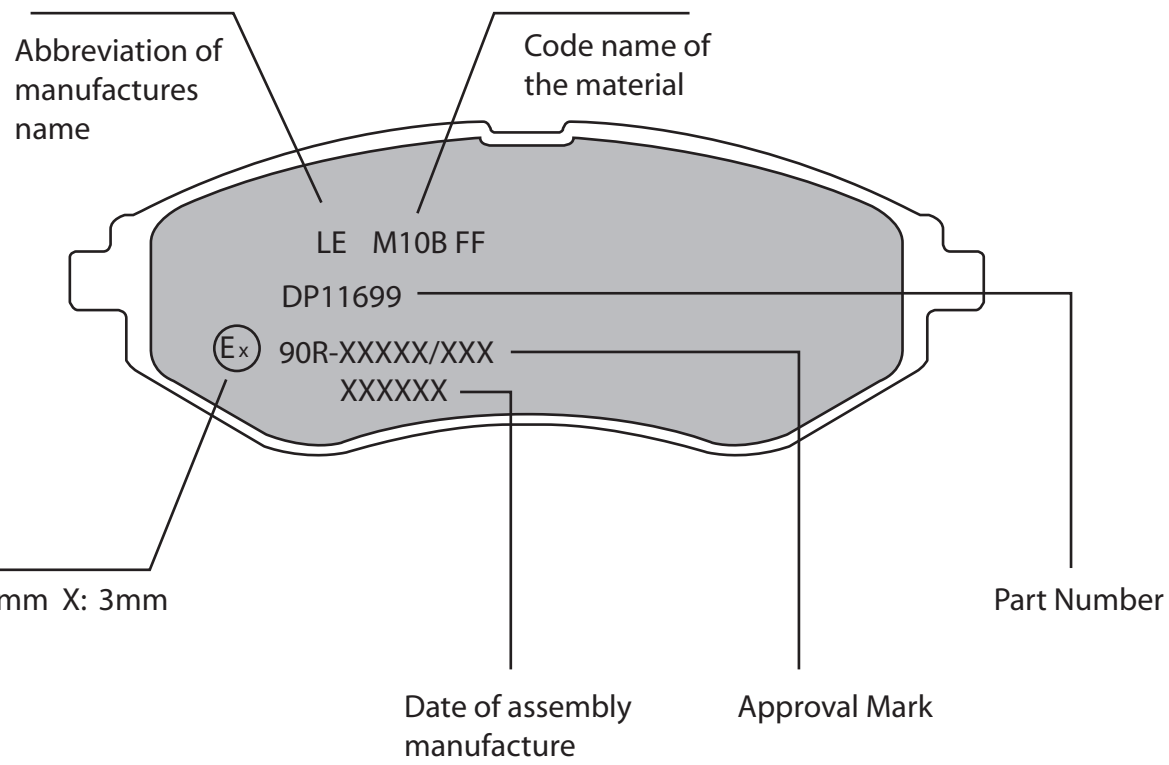


Material Area		Drawn By	Description	Issue No.	Part No.	 DP7797 <small>22-MAR-2007</small>
4784.7 mm			Disc Pad Assembly	1		
Modification	Initial Date	Date	General Tolerance	$\pm 0.25\text{mm}$		Not To Scale





Material Area		Drawn By	Description	Issue No.	Part No.	 DP9942 -2007 <small>2007-2007</small> <small>Approval Authority</small>
4848.4 mm			Disc Pad Assembly	1		
Modification	Initial Date	Date	General Tolerance	± 0.25mm		Not To Scale



E: 4.5mm X: 3mm

Material Area			Drawn By	Description Disc Pad Assembly	Issue No.	Part No.
					1	
Modification	Initial Date	Date		General Tolerance	$\pm 0.25\text{mm}$	Not To Scale

