



**VCA Headquarters**

1 The Eastgate Office Centre  
Eastgate Road  
Bristol, BS5 6XX  
United Kingdom

Switchboard: +44 (0) 117 951 5151  
Direct line: +44 (0) 117 952 4171  
Main Fax: +44 (0) 117 952 4103  
Email: enquiries@vca.gov.uk  
Web: www.vca.gov.uk

THE UNITED KINGDOM VEHICLE APPROVAL AUTHORITY

Rev 1/03



COMMUNICATION CONCERNING THE APPROVAL GRANTED OF  
A REPLACEMENT BRAKE LINING ASSEMBLY OR REPLACEMENT  
DRUM LINING PURSUANT TO ECE REGULATION NO: 90.01

Approval No: 90R-01183 / 4178

1. Applicant's name and address:

Juratek Ltd. Unit 16, Carcroft Enterprise Park, Station Road, Doncaster DN6 8DD

2. Manufacturer's name and address:

3. Make and type of brake lining assembly: DP5554.

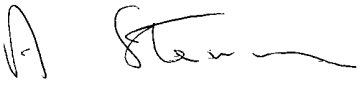
4. Make and type of brake lining: LE M10B FF

5. Vehicles/axles/brakes for which the brake lining assembly/drum brake lining type qualifies as original brake lining assembly: Not applicable

6. Vehicles for which the brake lining assembly qualifies as replacement brake lining assembly: See manufacturers documents :-

An executive agency of the Department for Transport



7. Submitted for approval on: 1 August 2007
8. Technical Service responsible for approval tests: Vehicle Certification Agency
- 8.1 Date of test report: 14/08/06, 4/10/06, 20/11/06.
- 8.2 Number of test report: VSG 076368, VSG 078083, VSG 078084.
9. Approval: GRANTED
10. Place: BRISTOL
11. Date: 11 SEPTEMBER 2007
12. Signature:  A. W. STENNING  
Head of Product Certification
13. Annexed to this communication is a list of documents in the approval file deposited at the administrative services having delivered the approval and which can be obtained upon request.

VSH180953



01/08/07	VCA Job No	VSH180953
----------	------------	-----------

Dear Claire,

Please find enclosed the necessary documentation for you to submit applications for approval for various brake lining assemblies DP5554 in LE M10B FF material pursuant to ECE Regulation No. 90/1. This application is on behalf of Juratek Ltd and cross-references to our DP LE M10B FF application details. We would like the application made to the VCA; I have addressed the formal letter of application accordingly.

The documents contained are: -

1. Formal letter of application
2. Manufacturers declarations
3. Lab test results :-
  - Friction test results
  - Shear test results
  - Compressibility test results
4. Vehicle fitment details
5. Disc pad assembly drawings
6. General disc pad marking drawing

**Please note: Allocated with E11 90R-01183/4178 as a provisional number. This approval is based on VSG076368, VSG078083 and VSG078084 plus additional OE Materials testing on VSG075132.**

Yours sincerely,



Susan Owens  
Q.B.T.



01/08/07	<b>VCA Job No</b>	VSH180953
----------	-------------------	-----------

Vehicle Certification Agency  
 1 Eastgate Office Centre  
 Eastgate Road  
 Bristol  
 BS5 6XX

**Letter of application for an approval pursuant to ECE Regulation No. 90/1**

Dear Sirs,

Herewith we apply for an approval for our brake lining assembly pursuant to ECE Regulation No. 90/1.

Applicants name and address:

Juratek Ltd. Unit 16, Carcroft Enterprise Park, Station Road, Doncaster DN6 8DD

Manufacturers name and address:

Make and type of brake lining	LE M10B FF
Make and type of brake lining assembly	as listed below

Assembly Number	Assembly Contains...(see enclosed drawings)	Material Code
DP5554	4 identical pads	LE M10B FF



01/08/07	<b>VCA Job No</b>	VSH180953
----------	-------------------	-----------

For vehicles / axles / brakes for which the lining assembly qualifies as replacement brake lining assembly, see following application list.

Assembly Number	Equivalent to	Also supplied as Assembly Number
DP5554 LE M10B FF	Equivalent to	
	Equivalent to	

Yours faithfully



Susan Owens  
Q.B.T.



01/08/07	VCA Job No	VSH180953
----------	------------	-----------

## Manufacturer's Declaration

for granting of Approval for replacement brake lining according to ECE Regulation No. 90/1.

We, the company

declare herewith that

Replacement pad assemblies DP5554 LE M10B FF

are produced in our factory

We certify that no application has been made regarding this permission/approval by us or by companies appointed by us in countries which as contract parties would also be entitled to grant permission/approval.

We are aware of the following: -

A type marking of vehicles/vehicle components of the above mentioned type with the officially assigned approval mark can only be granted if the products have been manufactured in the above mentioned factory or at one of our listed and approved manufacturing sites, and if they comply with the official approval documents.

Companies manufacturing products for our company or under license may not use the officially assigned approval mark for vehicles/vehicle components produced at their factories unless they are listed as an approved manufacturing site, and fully comply with our quality procedures.

A marking of vehicles/vehicle components of the above mentioned type with different factory or trade marks but the same approval mark is only permissible if written consent has been obtained from the Vehicle Certification Agency.



Susan Owens  
Q.B.T.



01/08/07	VCA Job No	VSH180953
----------	------------	-----------

### Friction test results

Conducted in accordance with Annex 8, of ECE Regulation No. 90 Rev1 including supplement 2 to the 01 series of amendments. (TRANS/SC1/WP29/GRRF/R90 Rev 1).

Type of assembly: Part Number DP11011 in material 1019B  
(Previously agreed single test reference)

Type of test:	Constant torque (para. 2.2.2.2)
$\mu_{op: 1}$	0.311
$\mu_{op: 2}$	0.332
$\mu_{min}$ :	0.208
$\mu_{max}$ :	0.431

Test dates: 08/06/2006



Susan Owens  
Q.B.T.



01/08/07	VCA Job No	VSH180953
----------	------------	-----------

### Bench tests

Manufacturer:			
Type of brake lining assy:	DP11011 LE M10B FF	Page	1/2

1. Shear strength test<sup>1</sup>  
(5.3.2.1 of ECE Regulation No. 90 Rev 1)

- Sample

Type of assembly: DP11011 LE M10B FF  
Shear area [cm<sup>2</sup>]: 43.24

- Shear strength measured

Mean value [N/cm<sup>2</sup>]: 634.6  
Required [N/cm<sup>2</sup>]: 250

Test date: 08/06/2006

1) Test procedure according to ISO Standard 6312 (2001)



Susan Owens  
Q.B.T.





01/08/07	VCA Job No	VSH180953	
Manufacturer:			
Type of brake lining assy:	DP11011 LE M10B FF	Page	2/2

2. Compressibility test<sup>2</sup>  
(5.3.2.2 of ECE Regulation No. 90 Rev 1)

- Sample

Type: III  
Type of assembly: DP11011 LE M10B FF  
Thickness,  $d_0$  (nominal value) [mm]: 12.9  
Pad area [cm<sup>2</sup>]: 43.24  
Ram dia (corresponding to caliper piston dia) [mm]: 51.48

- Compressibility at specific surface pressure of 8000 kPa

Measured at ambient temperature

$$\text{Mean value: } \frac{d_4 - d'_3}{d_0} = 0.23 \%$$

Required:  $\leq 2\%$

Measured at 400°C

$$\text{Mean value: } \frac{d_4 - d'_3}{d_0} = 0.838\%$$

Required:  $\leq 5\%$

Test dates: 085/062/2006

2) Test procedure according to ISO Standard 6310 (2001)



Susan Owens  
Q.B.T.

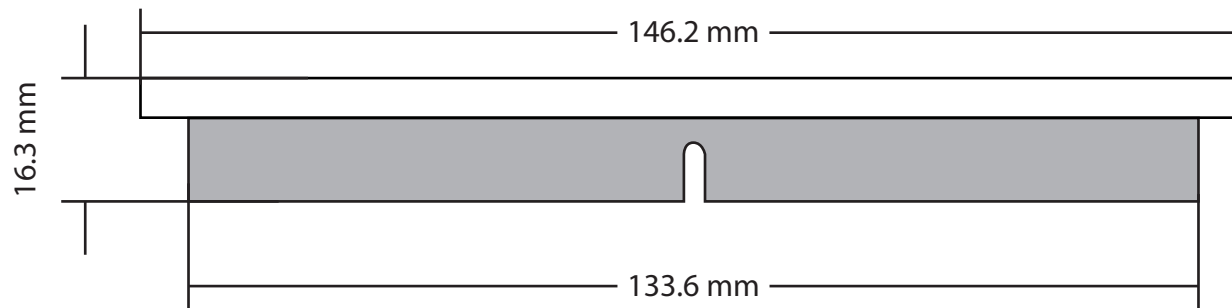
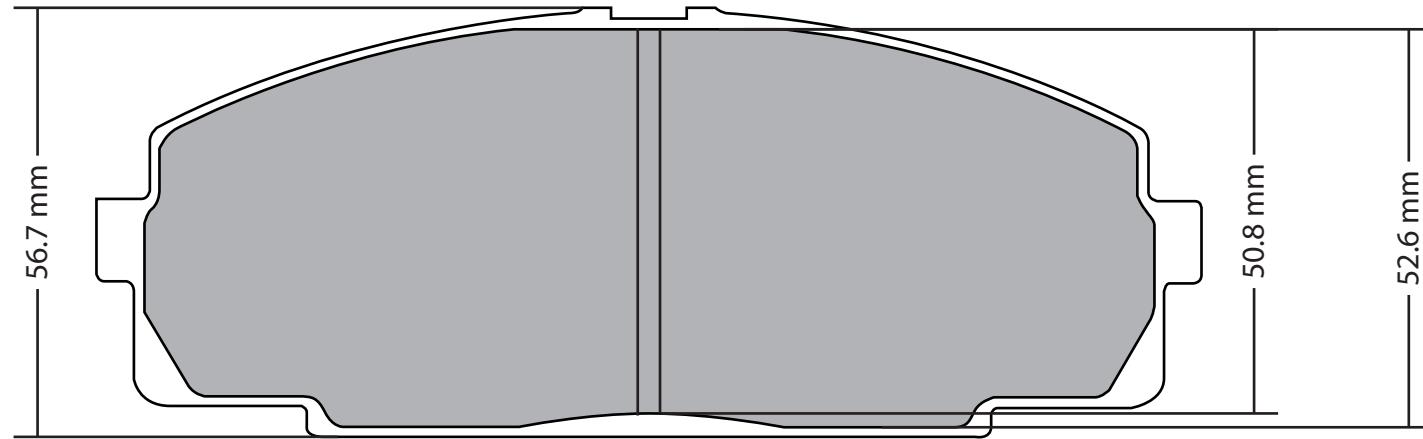


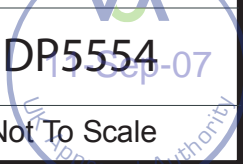
MAKE	MODEL 1	MODEL 2	MODEL 3	MODEL 4	MODEL 5	F/R	D	A	T	E	OE Caliper Manufacturer	S/V Dr	Disc / Drum / Dia	Max Th Disc / Shoe Width
DP5554	TOYOTA	Dyna 100	1.8 (YH81)			F	09	88			Sumitomo	V	257	25
DP5554	TOYOTA	Dyna 100	2.4 (LH80, LH81)			F	09	88			Sumitomo	V	257	25
DP5554	TOYOTA	Hi-Ace (-->89)	2.0 (YH51, 56, 61, 66)	4x4		F	01	86	01	89	Sumitomo	V		
DP5554	TOYOTA	Hi-Ace (-->89)	2.4 (LH51, LH61, LH66)			F	01	83	01	89	Sumitomo	V	287	22
DP5554	TOYOTA	Hi-Ace (89-93)	2.0	4x4		F	01	89	01	93	Sumitomo	V		
DP5554	TOYOTA	Hi-Ace (89-93)	2.4	4x4		F	01	89	01	93	Sumitomo	V	287	22
DP5554	TOYOTA	Hi-Ace (93-96)	2.0	4x4		F	01	93	01	96	Sumitomo	V		
DP5554	TOYOTA	Hi-Ace (93-96)	2.4	4x4		F	01	93	01	96	Sumitomo	V	287	22
DP5554	TOYOTA	Hi-Ace Power Van 96-->	2.0	4x4		F	01	96			Sumitomo	V		
DP5554	TOYOTA	Hi-Ace Power Van 96-->	2.4, 2.5, 2.7	4x4		F	01	96			Sumitomo	V	285	28
DP5554	TOYOTA	Power Van (Hi-Ace 96-->)	2.0	4x4		F	01	96			Sumitomo	V		
DP5554	TOYOTA	Power Van (Hi-Ace 96-->)	2.4, 2.5, 2.7	4x4		F	01	96			Sumitomo	V		

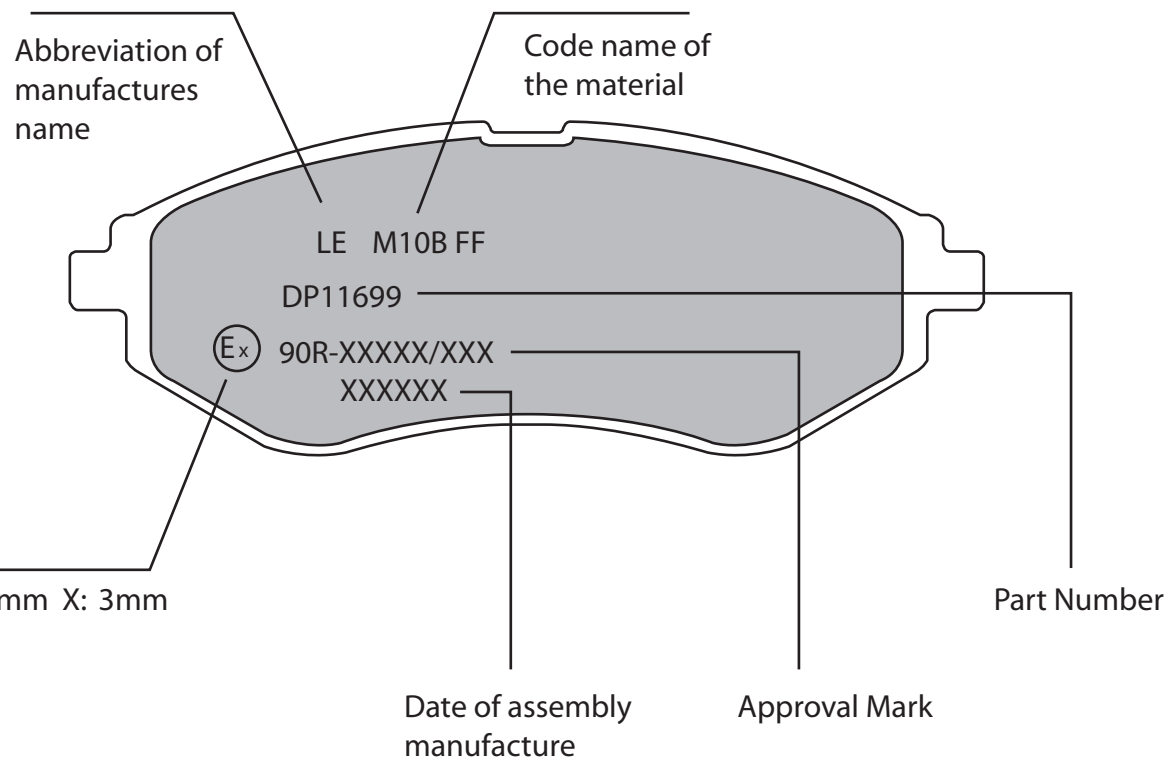


CALIPER ACTUATION	BRAKING SPLIT F/R, DIAG or H / I	CALIPER PAD		HERST NUMBER	TYP / SCHL NUMBER	MAX SPEED Km/h	80% V MAX Km/h	VEHICLE /		ENERGY FACTOR .5 MV 2	MAXIMUM ROLLING RADIUS	INERTIA UNLADEN	VEHICLE INERTIA LADEN
		PISTON DIA	FRICTION AREA mm^2					AXLE WEIGHT UN-LADEN	VEHICLE WEIGHT LADEN				
Hyd						145	116	1570	2650	17829200	0.33	65.824605	111.105225
Hyd						150	120	1570	2650	19080000	0.33	65.824605	111.105225
Hyd						145	116	1570	2650	17829200	0.33	65.824605	111.105225
Hyd						150	120	1570	2650	19080000	0.33	65.824605	111.105225
Hyd				7104	222, 516	145	116	1570	2650	17829200	0.33	65.824605	111.105225
Hyd				7104	240, 221, 515, 51	150	120	1570	2650	19080000	0.33	65.824605	111.105225
Hyd				7104	240, 221, 515, 51	150	120	1570	2650	19080000	0.33	65.824605	111.105225
Hyd				7104	240, 221, 515, 51	150	120	1570	2650	19080000	0.33	65.824605	111.105225
Hyd				7104	283, 524, 529, 52	170	136	1575	2950	27281600	0.33	66.0342375	123.683175
Hyd				7104	283, 524, 529, 52	170	136	1575	2950	27281600	0.33	66.0342375	123.683175
Hyd				7104	283, 524, 529, 52	170	136	1575	2950	27281600	0.33	66.0342375	123.683175
Hyd				7104	283, 524, 529, 52	170	136	1575	2950	27281600	0.33	66.0342375	123.683175





Material Area			Drawn By	Description	Issue No.	Part No.	 <b>DP5554</b> <small>14 Sep-07</small>
6096.5 mm				<b>Disc Pad Assembly</b>	<b>1</b>		
Modification	Initial Date	Date		General Tolerance	<b>± 0.25mm</b>		Not To Scale



E: 4.5mm X: 3mm

Material Area			Drawn By	Description	Issue No.	Part No.
				<b>Disc Pad Assembly</b>	<b>1</b>	
Modification	Initial Date	Date		General Tolerance	<b>± 0.25mm</b>	Not To Scale

