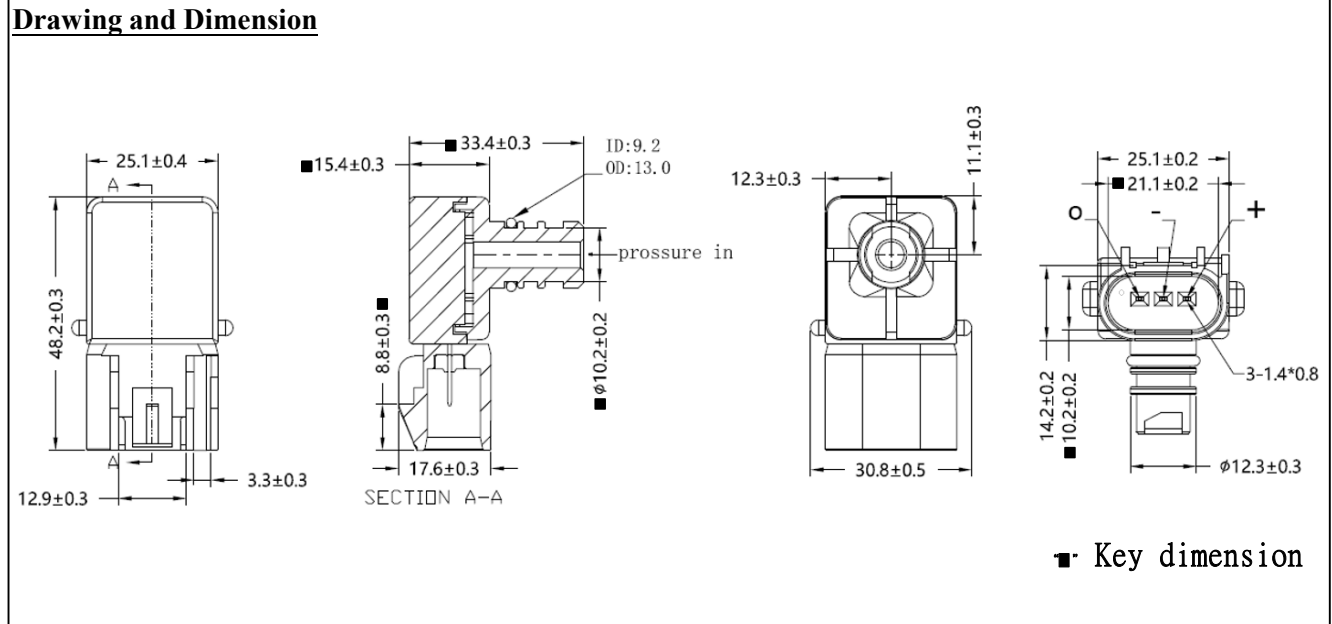
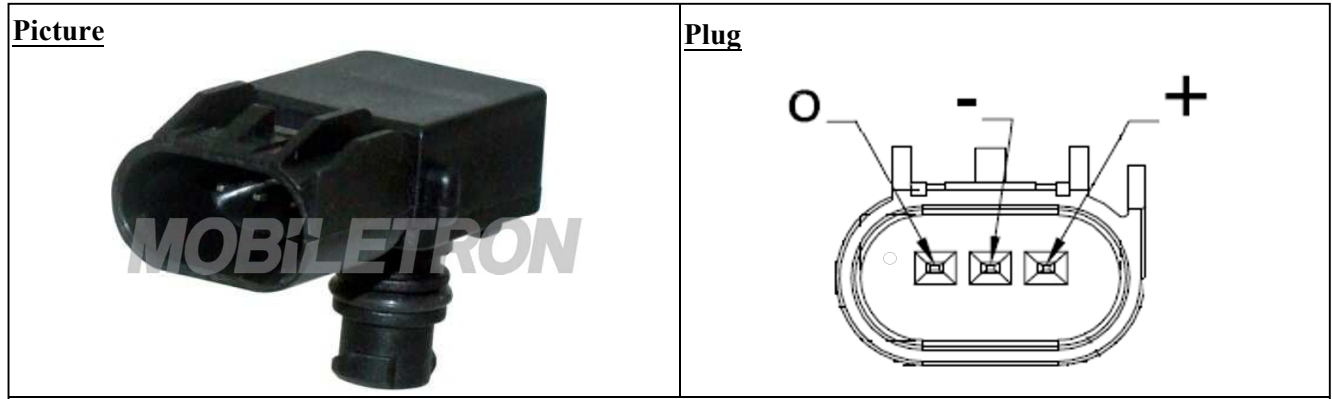


NAME	MS-U016 Electrical Specifications	NO	MS-1-4-097
-------------	--	-----------	-------------------



PARAMETERS AND CONDITIONS	SYMBOLS	MIN.	TYP.	MAX.	UNITS
Storage Temperature Range	T _{ST}	-40		150	°C
Operating Temperature Range	T _{OP}	-40		125	°C
Pressure Range	P _r	5		120	KPa
Supply Voltage	V _{Sv}	4.8		5.2	V
Supply Current	I _{sc}		10		mA
Accuracy @ 25°C	%FS	-3		+3	%FS
The MAP voltage output at 25°C (@ Supply Voltage (Vs) = 5.0Vdc, rated pressure = 101.3KPa)	V	4.15	4.45	4.75	V

2021.03.04		1	王亮	呂漢榮	黃鵬	MOBILETRON
Date of first edition	Date of revised edition	edition	Manuscript	Review	Approval	Mar.09.2021
						Release