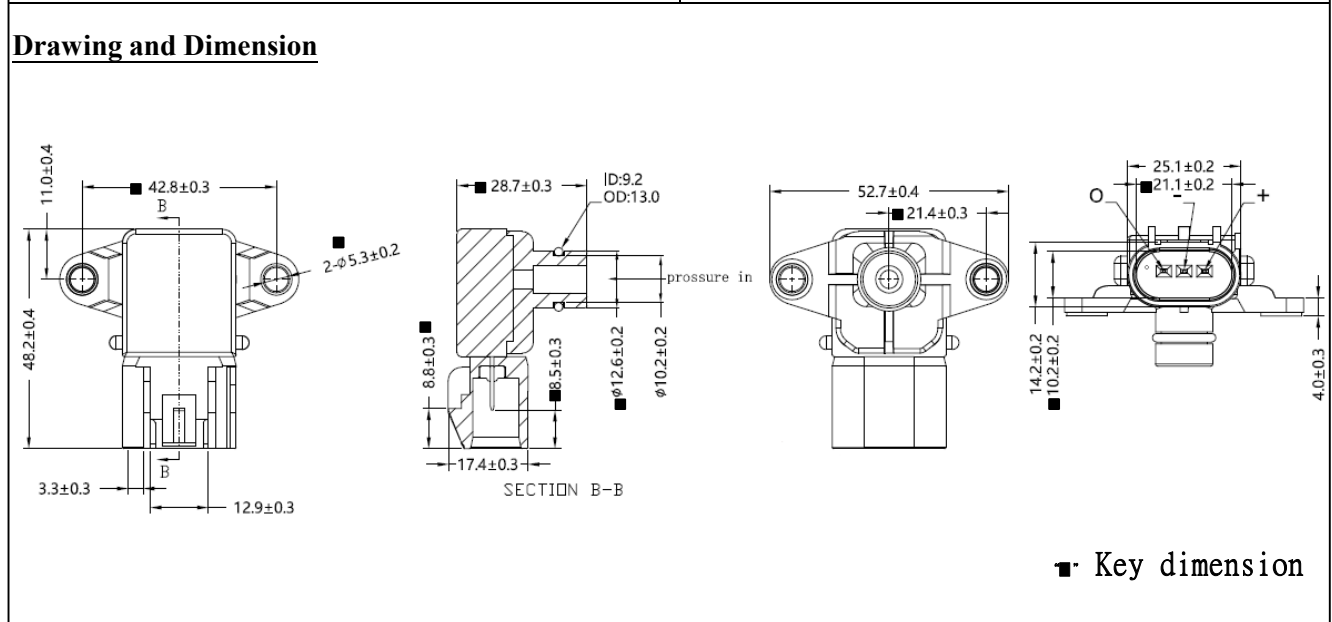
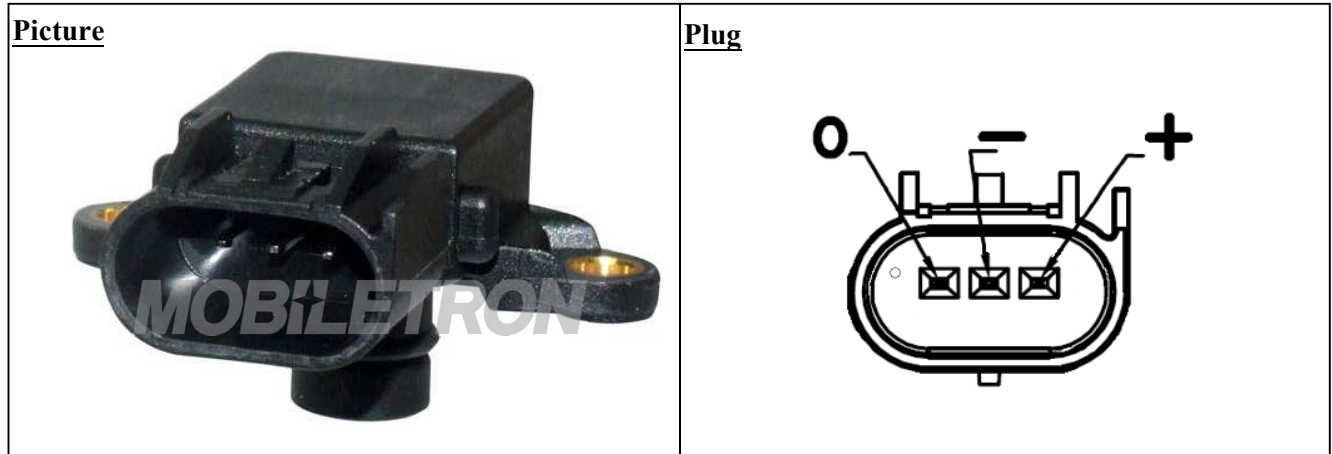


<b>NAME</b>	<b>MS-U013 Electrical Specifications</b>	<b>NO</b>	MS-1-4-074
-------------	--	-----------	------------



PARAMETERS AND CONDITIONS	SYMBOLS	MIN.	TYP.	MAX.	UNITS
Storage Temperature Range	$T_{ST}$	-40	-	150	°C
Operating Temperature Range	$T_{OP}$	-40	-	125	°C
Pressure Range	$P_r$	5		120	KPa
Supply Voltage	$V_{Sv}$	4.8	5	5.2	V
Supply Current	$I_{sc}$	-	10	-	mA
Accuracy @ 25°C	%FS	-3	-	+3	%FS
The MAP voltage output at 25°C (@ Supply Voltage (Vs) = 5.0Vdc, rated pressure = 101.3KPa)	V	4.18	4.48	4.78	V

2021.01.18		1	王亮	呂漢榮	黃鵬	MOBILETRON
Date of first edition	Date of revised edition	edition	Manuscript	Review	Approval	Jan.21.2021
						Release