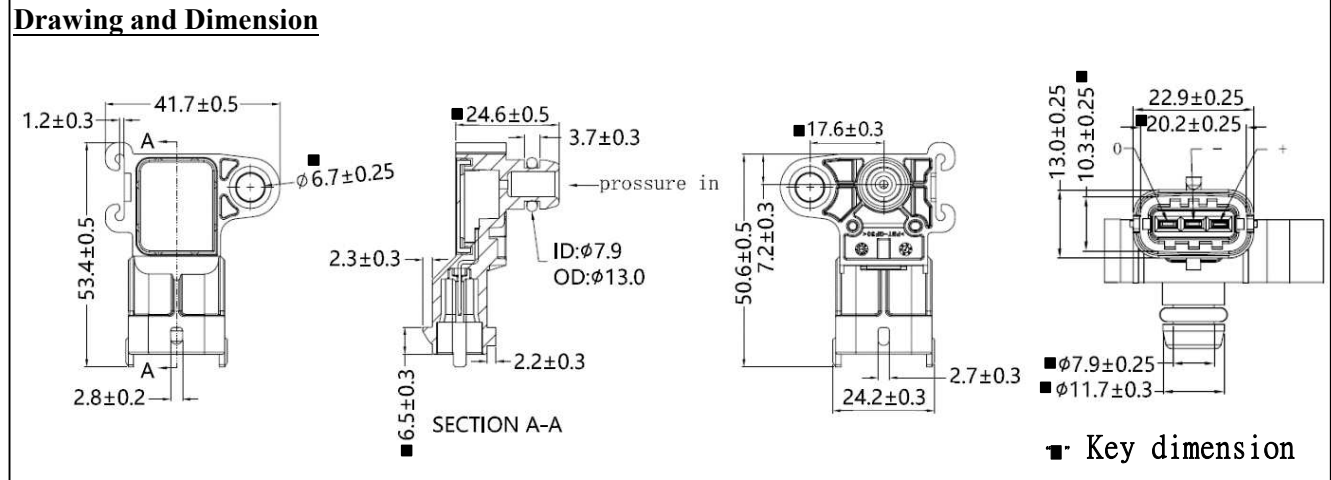
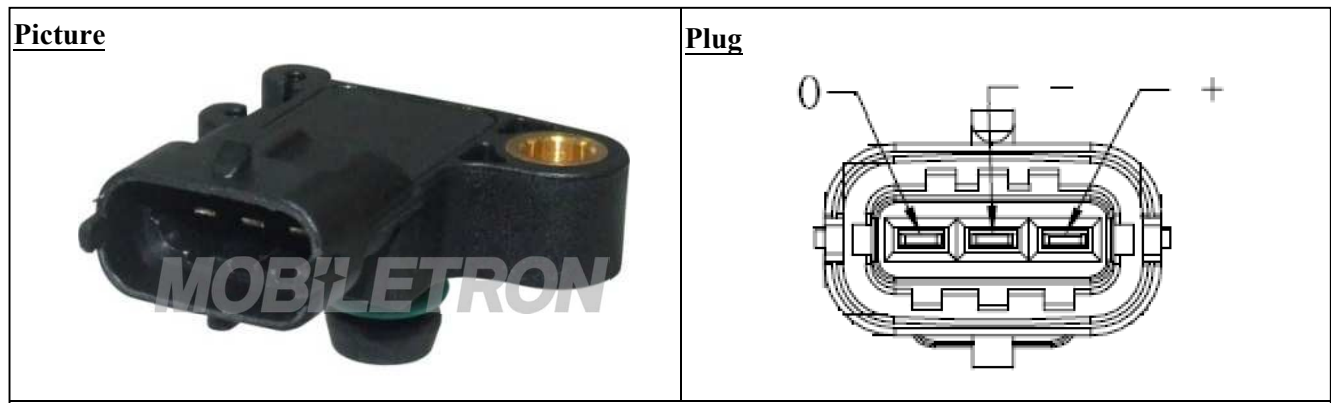


NAME	MS-U002 Electrical Specifications	NO	MS-1-4-021
-------------	--	-----------	-------------------



PARAMETERS AND CONDITIONS	SYMBOLS	MIN.	TYP.	MAX.	UNITS
Storage Temperature Range	T _{ST}	18	23	28	°C
Operating Temperature Range	T _{OP}	-40		125	°C
Pressure Range	Pr	0		340	KPa
Supply Voltage	V _{Sv}	0.3		4.7	V
Supply Current	I _{sc}		10		mA
Accuracy @ 25°C	%FS	-3		+3	%FS
The MAP voltage output at 25°C (@ Supply Voltage (VS) = 5.0Vdc, rated pressure =75 KPa)	V	0.94	1.24	1.54	V
The MAP voltage output at 25°C (@ Supply Voltage (Vs)=5.0Vdc, rated pressure = 101.3KPa)	V	1.34	1.64	1.94	V
The MAP voltage output at 25°C (@ Supply Voltage (Vs) =5.0Vdc, rated pressure = 150KPa)	V	2.07	2.37	2.67	V

2020.09.24		1	王亮	呂漢榮	黃鵬	MOBILETRON
Date of first edition	Date of revised edition	edition	Manuscript	Review	Approval	Sep.29.2020
						Release