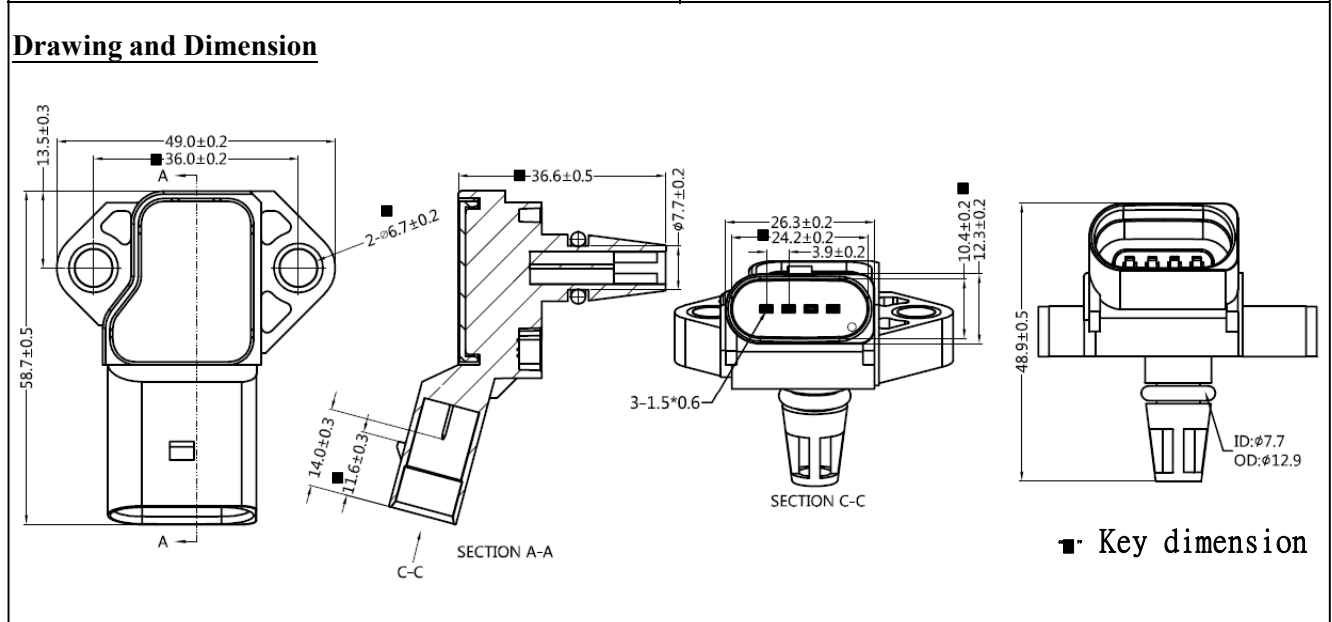
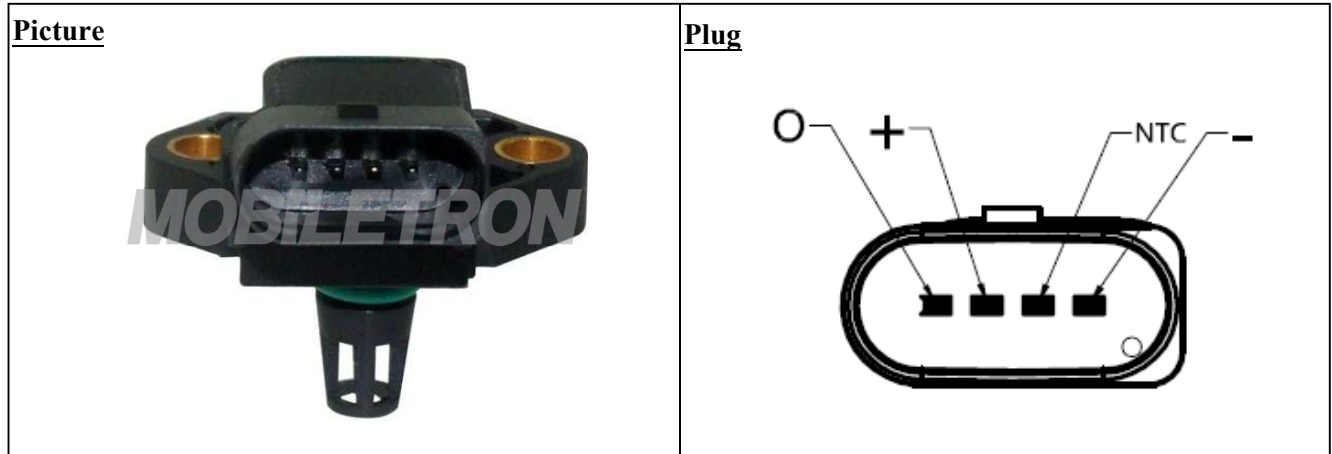


<b>NAME</b>	<b>MS-E082 Electrical Specifications</b>	<b>NO</b>	<b>MS-1-4-113</b>
-------------	--	-----------	-------------------



PARAMETERS AND CONDITIONS	SYMBOLS	MIN.	TYP.	MAX.	UNITS
Storage Temperature Range	T <sub>ST</sub>	-40		150	°C
Operating Temperature Range	T <sub>OP</sub>	-40		125	°C
Pressure Range	P <sub>r</sub>	12		304	KPa
Supply Voltage	V <sub>Sv</sub>	4.8		5.2	V
Supply Current	I <sub>sc</sub>		10		mA
Accuracy @ 25°C	%FS	-3		+3	%FS
The MAP voltage output at 25°C (@ Supply Voltage (Vs)=5.0Vdc, rated pressure = 101.3KPa)	V	1.34	1.64	1.94	V

2021.08.05		1	王亮	汪芳皮	黄鹏	MOBILETRON
Date of first edition	Date of revised edition	edition	Manuscript	Review	Approval	Aug.10.2021
						Release