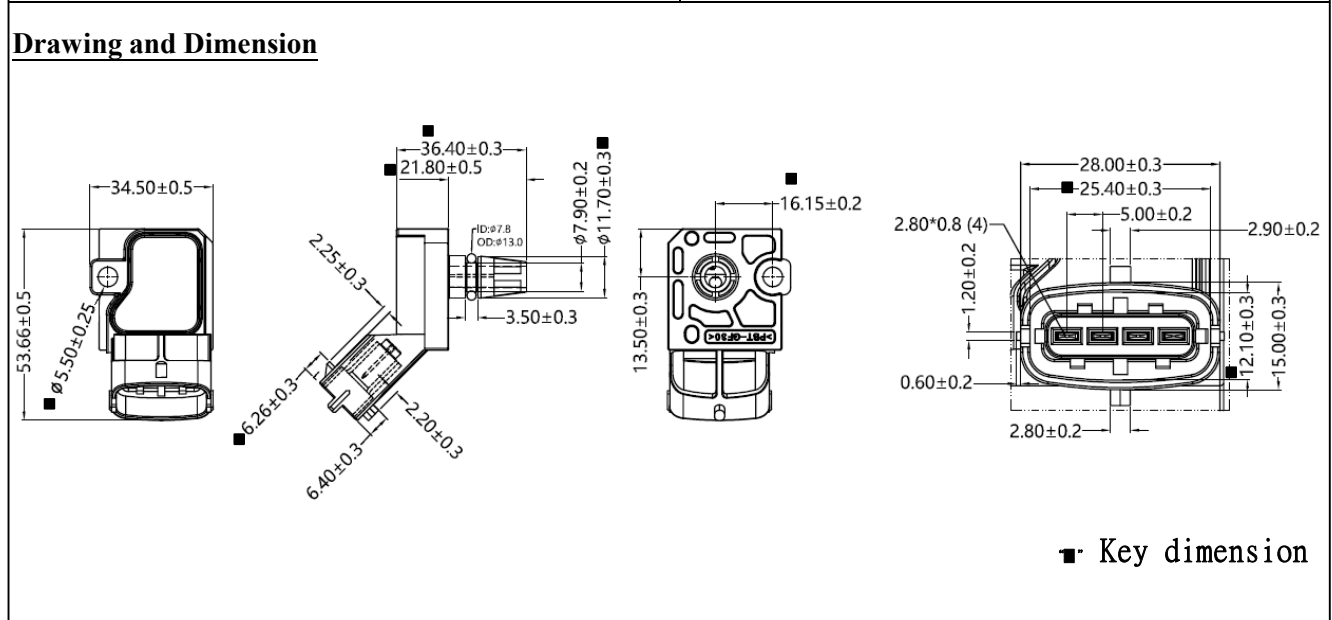
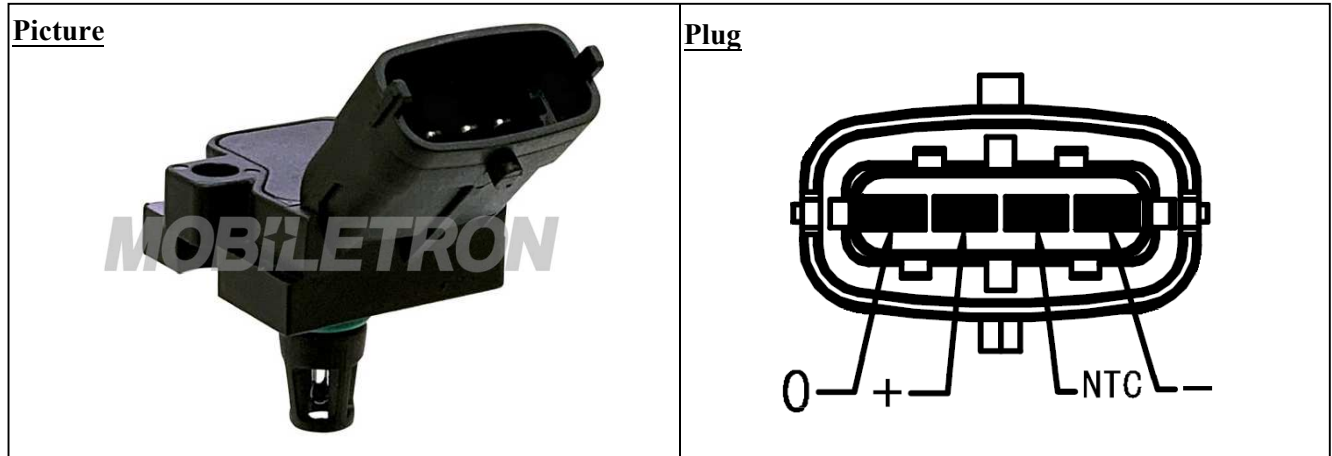


<b>NAME</b>	<b>MS-E055 Electrical Specifications</b>	<b>NO</b>	MS-1-4-069
-------------	--	-----------	------------



PARAMETERS AND CONDITIONS	SYMBOLS	MIN.	TYP.	MAX.	UNITS
<b>Storage Temperature Range</b>	$T_{ST}$	-40	-	150	°C
<b>Operating Temperature Range</b>	$T_{OP}$	-40	-	125	°C
<b>Pressure Range</b>	$P_r$	10		315	KPa
<b>Supply Voltage</b>	$V_{Sv}$	4.8	5	5.2	V
<b>Supply Current</b>	$I_{sc}$	-	10	-	mA
<b>Accuracy @ 25°C</b>	%FS	-3	-	+3	%FS
<b>The MAP voltage output at 25°C</b> (@ Supply Voltage ( $V_s$ )=5.0Vdc, rated pressure = 101.3KPa)	V	1.33	1.63	1.93	V

2020.12.24		1	呂漢榮	王亮	黃鵬	<b>MOBILETRON</b>
Date of first edition	Date of revised edition	edition	Manuscript	Review	Approval	<b>Dec.29.2020</b>
						<b>Release</b>