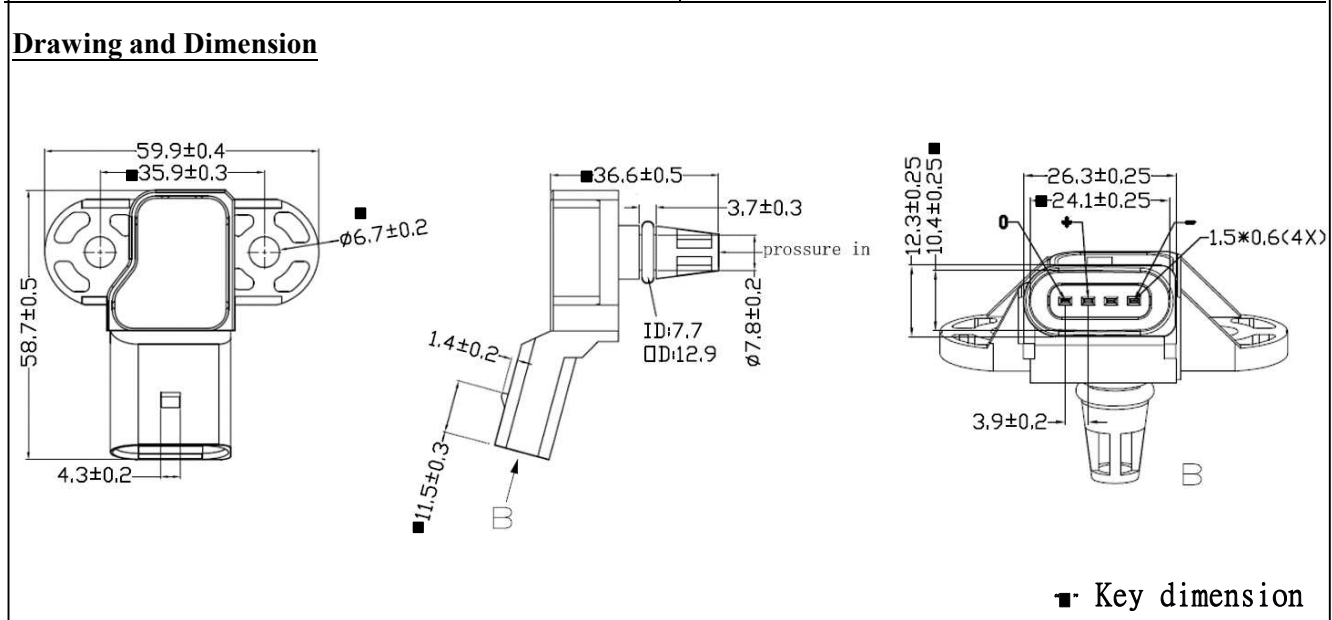
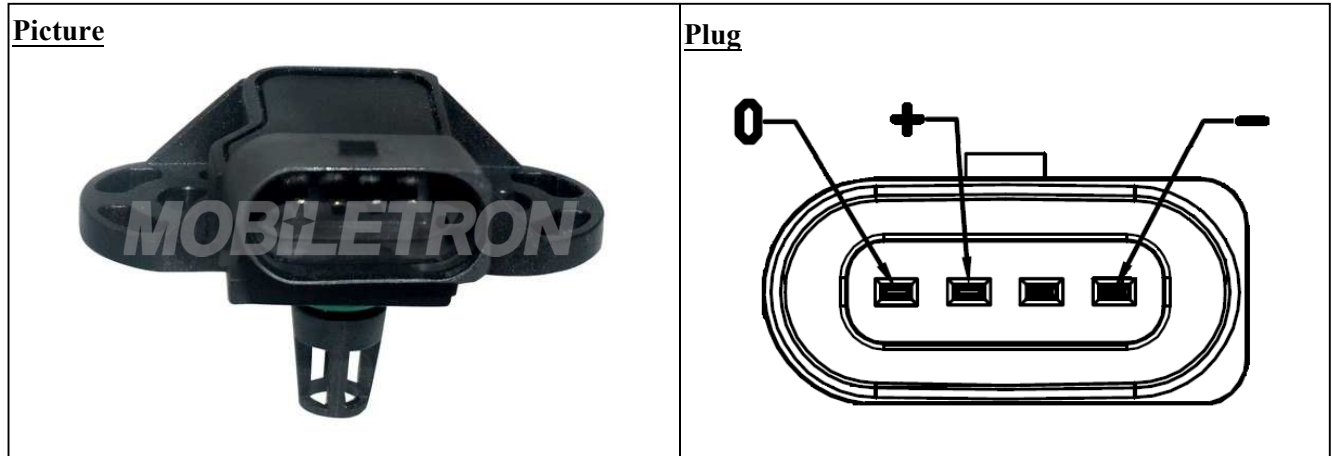


<b>NAME</b>	<b>MS-E047 Electrical Specifications</b>	<b>NO</b>	<b>MS-1-4-060</b>
-------------	--	-----------	-------------------



PARAMETERS AND CONDITIONS	SYMBOLS	MIN.	TYP.	MAX.	UNITS
Storage Temperature Range	T <sub>ST</sub>	-40	-	150	°C
Operating Temperature Range	T <sub>OP</sub>	-40	-	125	°C
Pressure Range	Pr	5		120	KPa
Supply Voltage	V <sub>Sv</sub>	4.8	5	5.2	V
Supply Current	I <sub>sc</sub>	-	10	-	mA
Accuracy @ 25°C	%FS	-3	-	+3	%FS
The MAP voltage output at 25°C (@ Supply Voltage (Vs) =5.0Vdc, rated pressure = 101.3KPa )	V	3.77	4.07	4.37	V

2020.12.03		1	王亮	呂漢榮	黃鵬	<b>MOBILETRON</b>
Date of first edition	Date of revised edition	edition	Manuscript	Review	Approval	<b>Dec.08.2020</b>
						<b>Release</b>