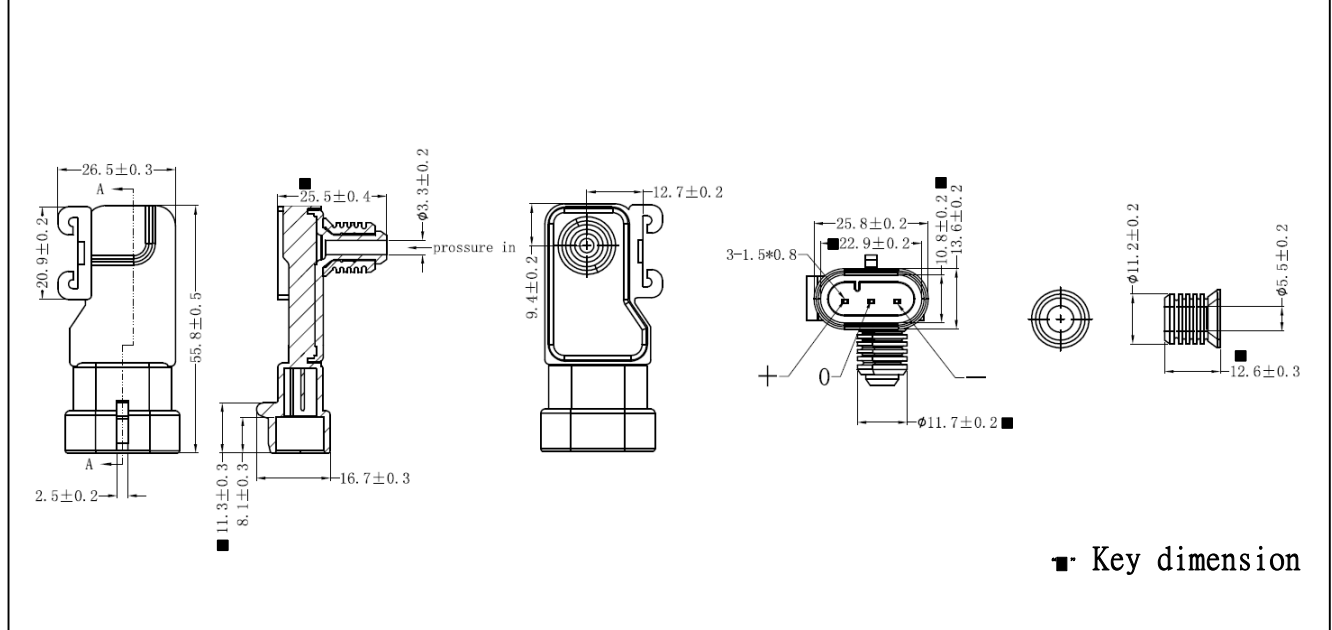
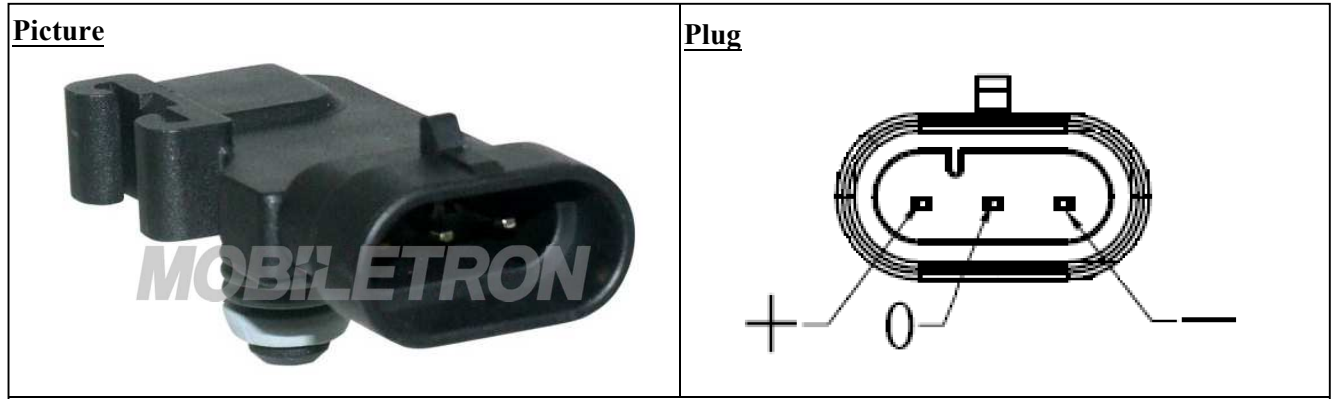


<b>NAME</b>	<b>MS-E043 Electrical Specifications</b>	<b>NO</b>	<b>MS-1-4-054</b>
-------------	--	-----------	-------------------



PARAMETERS AND CONDITIONS	SYMBOLS	MIN.	TYP.	MAX.	UNITS
<b>Storage Temperature Range</b>	$T_{ST}$	-40		150	°C
<b>Operating Temperature Range</b>	$T_{OP}$	-40		125	°C
<b>Pressure Range</b>	$P_r$	5		110	KPa
<b>Supply Voltage</b>	$V_{Sv}$	4.8	5.0	5.2	V
<b>Supply Current</b>	$I_{sc}$		10		mA
<b>Accuracy @ 25°C</b>	%FS	-3		+3	%FS
<b>The MAP voltage output at 25°C</b> (@ Supply Voltage ( $V_s$ ) = 5.0Vdc, rated pressure = 101.3Pa)	V	4.48	4.78	5.08	V

<b>2020.11.19</b>		<b>1</b>	<b>王亮</b>	<b>呂漢榮</b>	<b>黃鵬</b>	<b>MOBILETRON</b>
<b>Date of first edition</b>	<b>Date of revised edition</b>	<b>edition</b>	<b>Manuscript</b>	<b>Review</b>	<b>Approval</b>	<b>Nov.24.2020</b>
						<b>Release</b>