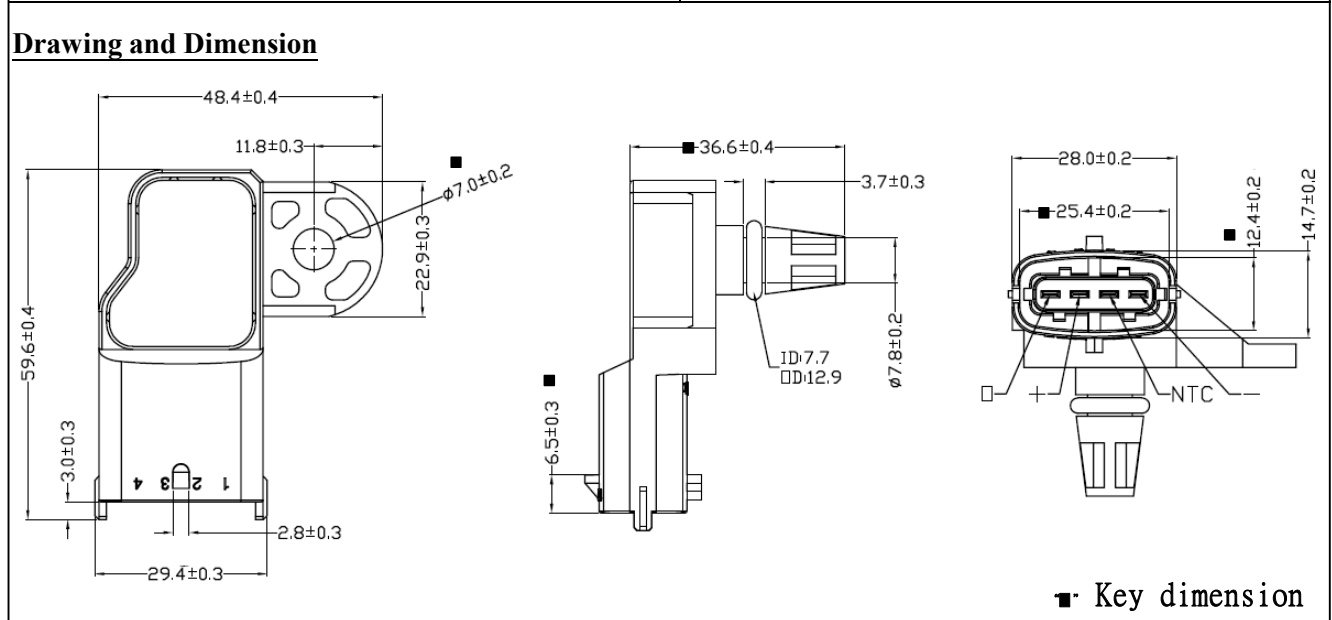
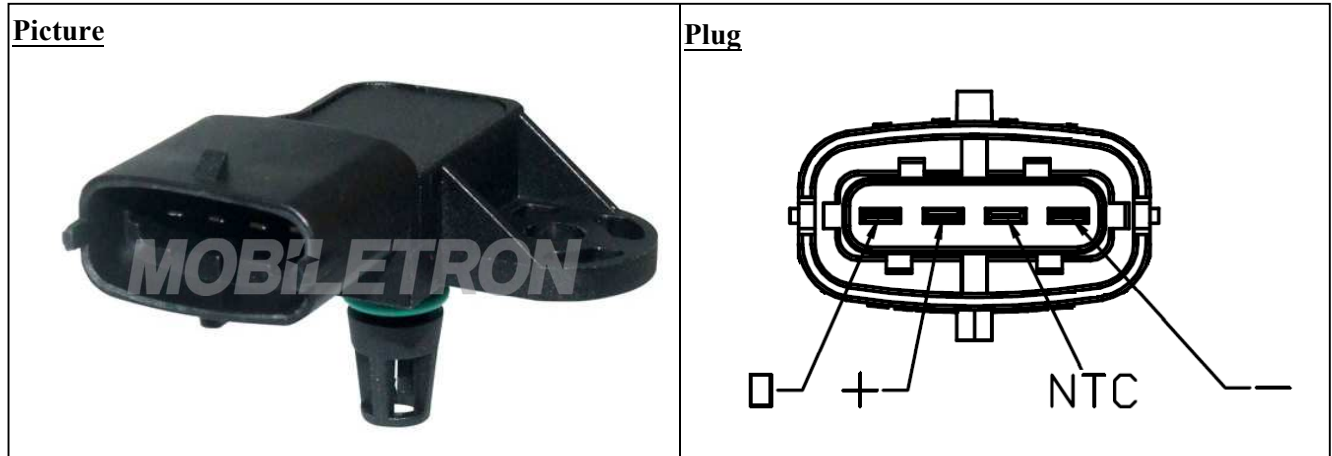


NAME	MS-E039 Electrical Specifications	NO	MS-1-4-050
-------------	--	-----------	------------



PARAMETERS AND CONDITIONS	SYMBOLS	MIN.	TYP.	MAX.	UNITS
Storage Temperature Range	T_{ST}	-40	-	150	°C
Operating Temperature Range	T_{OP}	-40	-	125	°C
Pressure Range	P_r	0		130	KPa
Supply Voltage	V_{Sv}	4.8	5	5.2	V
Supply Current	I_{sc}	-	10	-	mA
Accuracy @ 25°C	%FS	-3	-	+3	%FS
The MAP voltage output at 25°C (@ Supply Voltage (Vs) = 5.0Vdc, rated pressure = 101.3KPa)	V	3.79	4.09	4.39	V

2020.11.05		1	呂漢榮	王亮	黃鵬	MOBILETRON
Date of first edition	Date of revised edition	edition	Manuscript	Review	Approval	Nov.10.2020
						Release