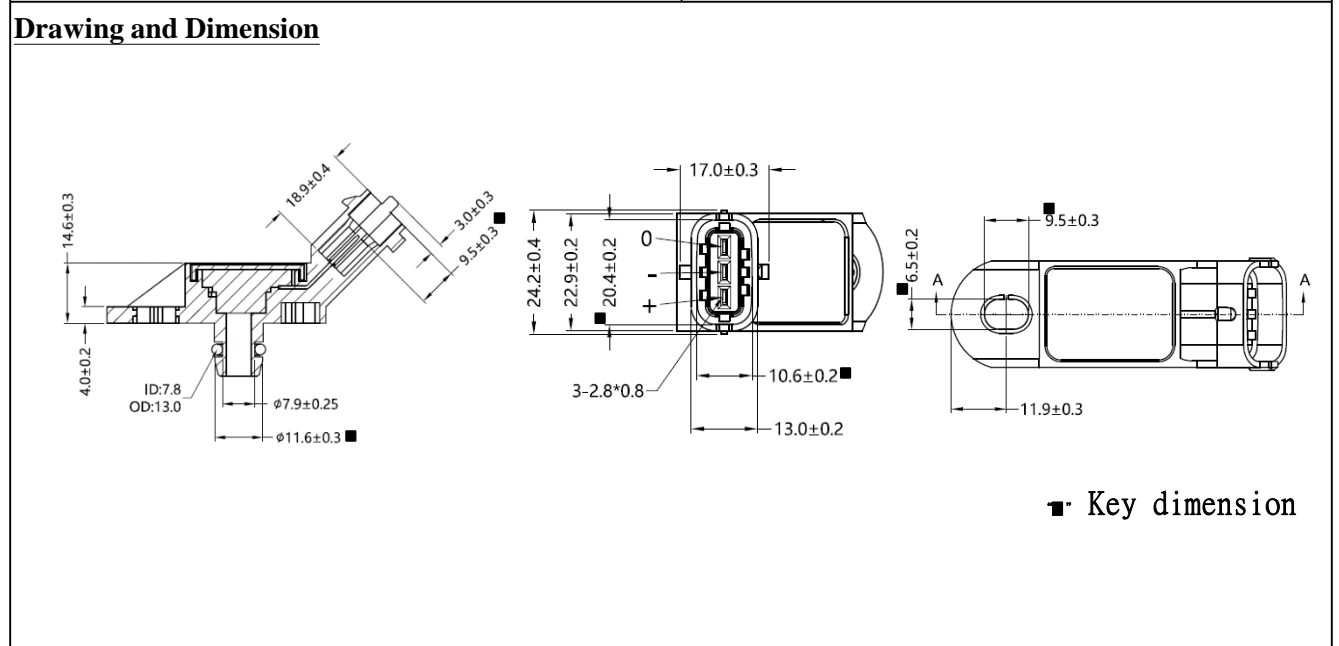
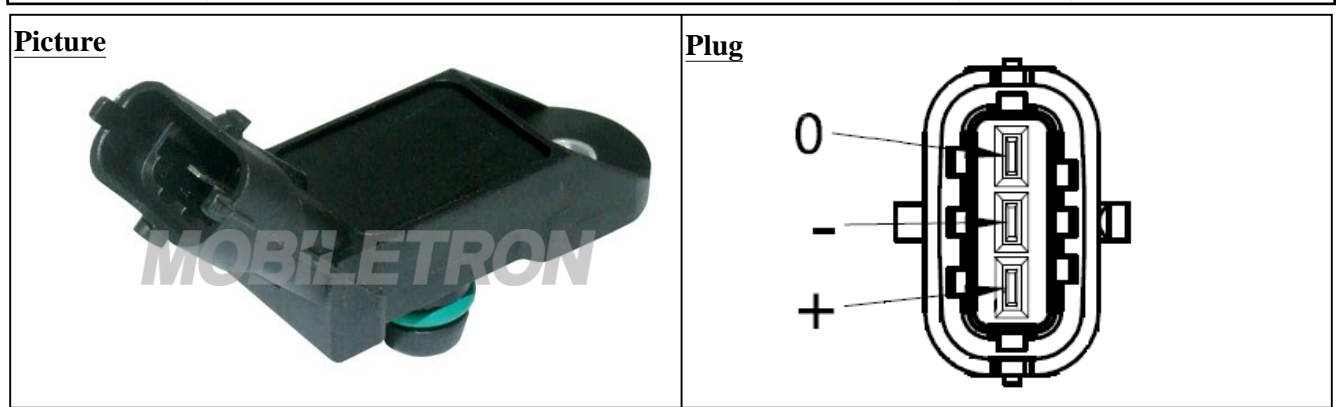


NAME	MS-E022 Electrical Specifications	NO	MS-1-4-026
-------------	--	-----------	-------------------



PARAMETERS AND CONDITIONS	SYMBOLS	MIN.	TYP.	MAX.	UNITS
Storage Temperature Range	T _{ST}	-40		150	°C
Operating Temperature Range	T _{OP}	-40		125	°C
Pressure Range	Pr	0		275	KPa
Supply Voltage	V _{Sv}	4.8	5.0	5.2	V
Supply Current	I _{sc}		10		mA
Accuracy @ 25°C	%FS	-3		+3	%FS
The MAP voltage output at 25°C (@ Supply Voltage (Vs)=5.0Vdc, rated pressure = 101.3KPa)	V	1.60	1.90	2.20	V

2020.10.15		1	王亮	呂漢榮	黃鵬	MOBILETRON
Date of first edition	Date of revised edition	edition	Manuscript	Review	Approval	Oct.20.2020
						Release