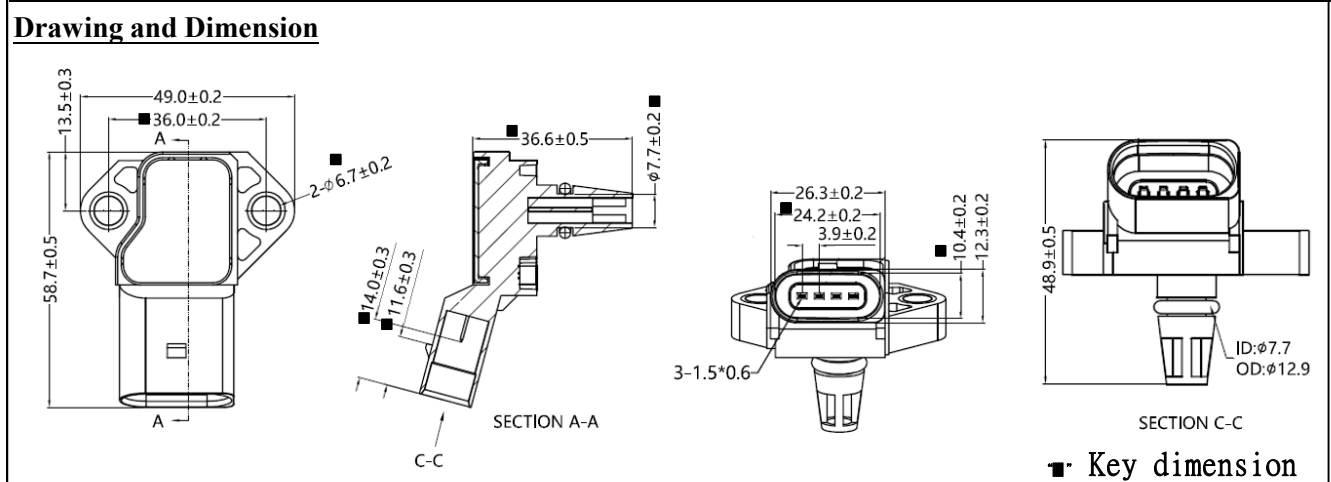
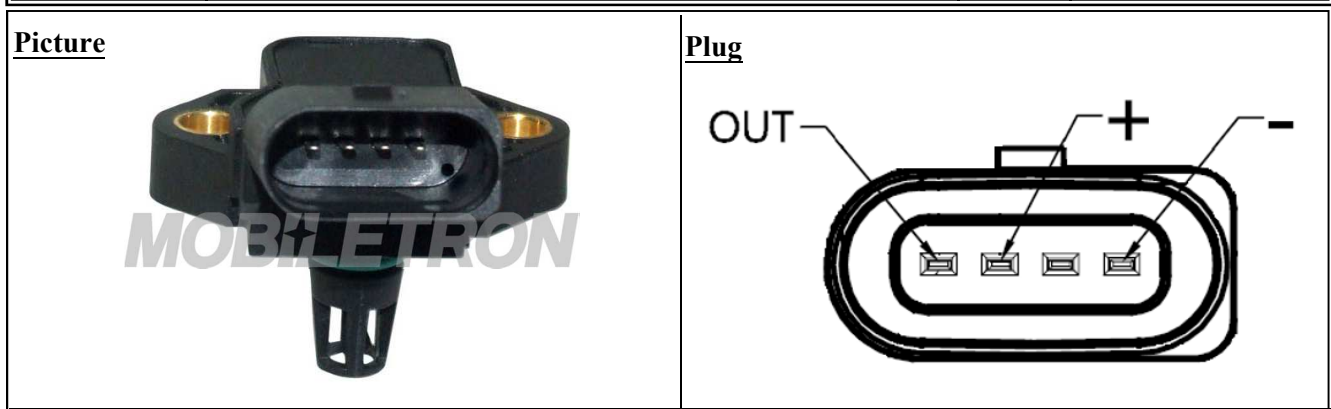


<b>NAME</b>	<b>MS-E021 Electrical Specifications</b>	<b>NO</b>	MS-1-4-013
-------------	--	-----------	------------



PARAMETERS AND CONDITIONS	SYMBOLS	MIN.	TYP.	MAX.	UNITS
Storage Temperature Range	T <sub>ST</sub>	18	23	28	°C
Operating Temperature Range	T <sub>OP</sub>	-40		125	°C
Pressure Range	Pr	0		320	KPa
Supply Voltage	V <sub>Sv</sub>	0.309		4.805	V
Supply Current	I <sub>sc</sub>		10		mA
Accuracy @ 25°C	%FS	-3		+3	%FS
The MAP voltage output at 25°C (@ Supply Voltage (VS) = 5.0Vdc, rated pressure =75 KPa)	V	0.92	1.22	1.52	V
The MAP voltage output at 25°C (@ Supply Voltage (Vs)=5.0Vdc, rated pressure = 101.3KPa )	V	1.32	1.62	1.92	V
The MAP voltage output at 25°C (@ Supply Voltage (Vs) =5.0Vdc, rated pressure = 150KPa )	V	2.06	2.36	2.66	V

2020.09.17		1	呂漢榮	王亮	黃鵬	MOBILETRON
Date of first edition	Date of revised edition	edition	Manuscript	Review	Approval	Sep.22.2020
						Release