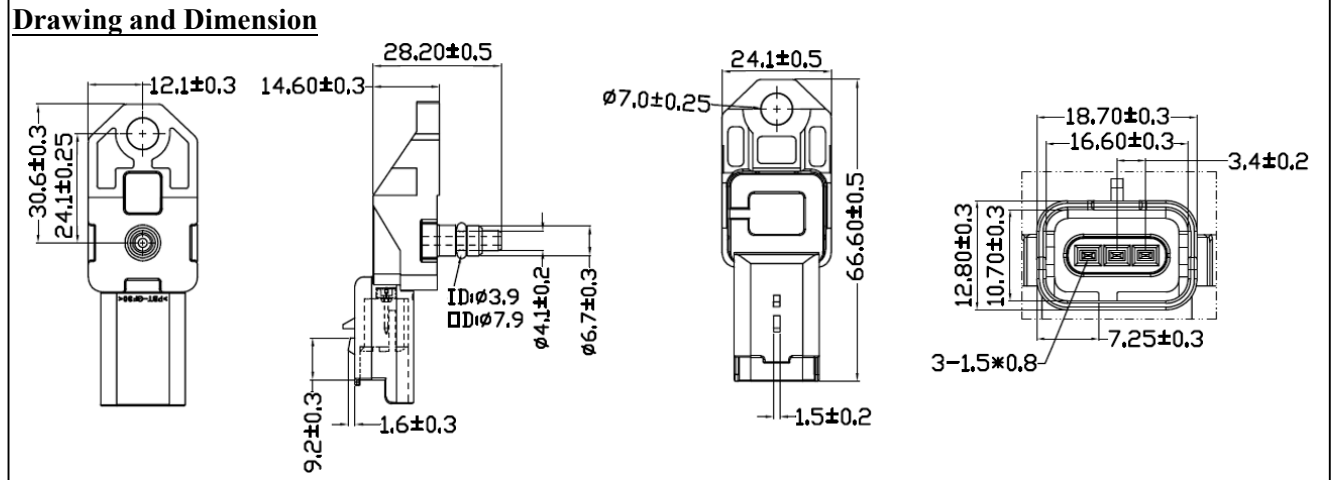
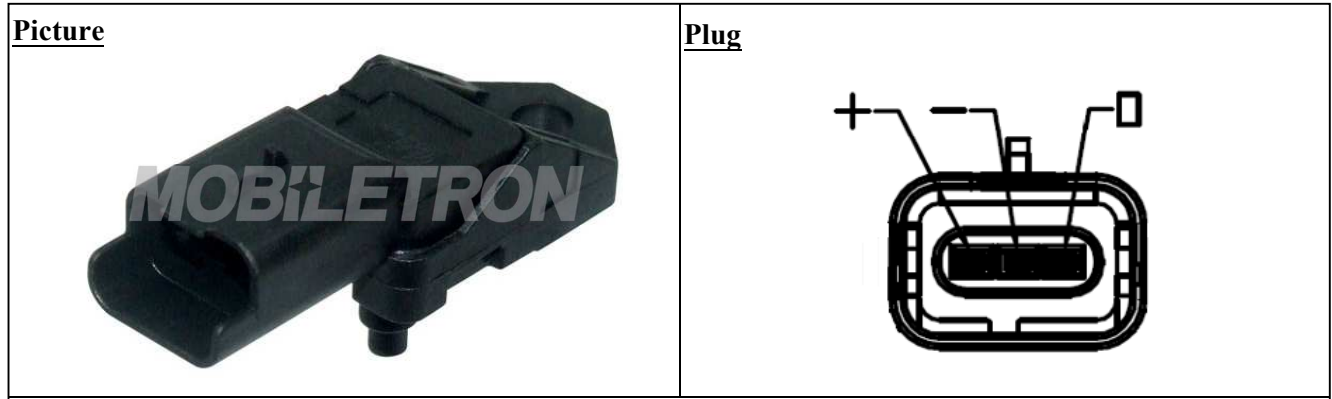


NAME	MS-E016 Electrical Specifications	NO	MS-1-4-014
-------------	------------------------------------------	-----------	------------



PARAMETERS AND CONDITIONS	SYMBOLS	MIN.	TYP.	MAX.	UNITS
Storage Temperature Range	T _{ST}	18	23	28	°C
Operating Temperature Range	T _{OP}	-40		125	°C
Pressure Range	Pr	0		250	KPa
Supply Voltage	V _{Sv}	0.817		4.700	V
Supply Current	I _{sc}		10		mA
Accuracy @ 25°C	%FS	-3		+3	%FS
The MAP voltage output at 25°C (@ Supply Voltage (VS) = 5.0Vdc, rated pressure = 78KPa)	V	1.73	2.03	2.33	V
The MAP voltage output at 25°C (@ Supply Voltage (Vs) = 5.0Vdc, rated pressure = 101.3KPa)	V	2.10	2.40	2.70	V
The MAP voltage output at 25°C (@ Supply Voltage (Vs) = 5.0Vdc, rated pressure = 143KPa)	V	2.76	3.06	3.36	V

2020.09.24		1	呂漢榮	王亮	黃鵬	MOBILETRON
Date of first edition	Date of revised edition	edition	Manuscript	Review	Approval	Sep.29.2020
						Release