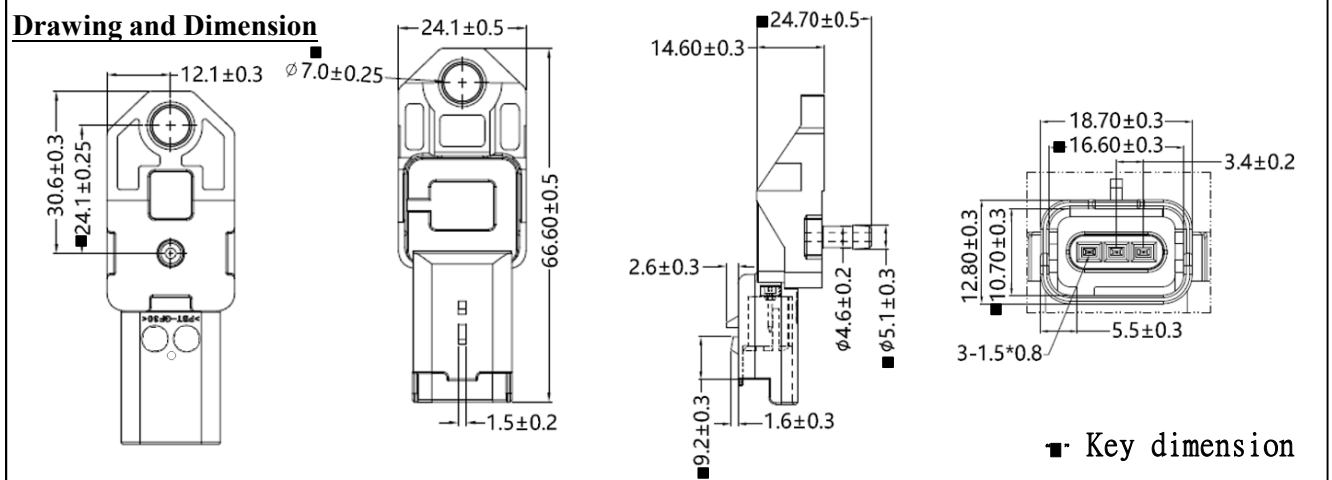
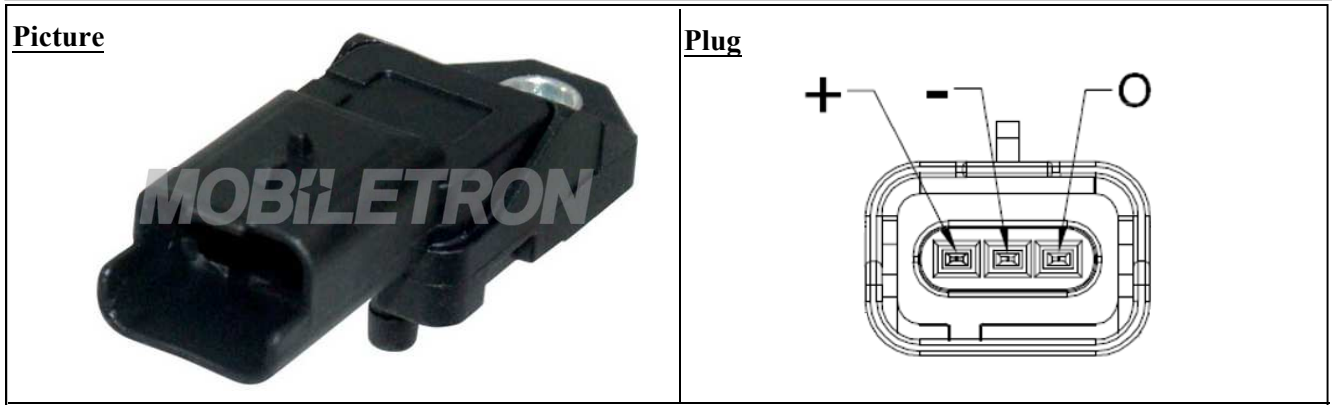


<b>NAME</b>	<b>MS-E012 Electrical Specifications</b>	<b>NO</b>	MS-1-4-009
-------------	--	-----------	------------



PARAMETERS AND CONDITIONS	SYMBOLS	MIN.	TYP.	MAX.	UNITS
<b>Storage Temperature Range</b>	T <sub>ST</sub>	18	23	28	°C
<b>Operating Temperature Range</b>	T <sub>OP</sub>	-40		125	°C
<b>Pressure Range</b>	Pr	10		330	KPa
<b>Supply Voltage</b>	V <sub>Sv</sub>	0.073		4.694	V
<b>Supply Current</b>	I <sub>sc</sub>		10		mA
<b>Accuracy @ 25°C</b>	%FS	-3		+3	%FS
<b>The MAP voltage output at 25°C</b> (@ Supply Voltage (VS) = 5.0Vdc, rated pressure =75 KPa)	V	0.69	0.99	1.29	V
<b>The MAP voltage output at 25°C</b> (@ Supply Voltage (Vs)=5.0Vdc, rated pressure = 101.3KPa )	V	1.09	1.39	1.69	V
<b>The MAP voltage output at 25°C</b> (@ Supply Voltage (Vs) =5.0Vdc, rated pressure = 150KPa )	V	1.82	2.12	2.42	V

2020.09.17		1	呂漢榮	王亮	黃鵬	MOBILETRON
Date of first edition	Date of revised edition	edition	Manuscript	Review	Approval	Sep.22.2020
						Release