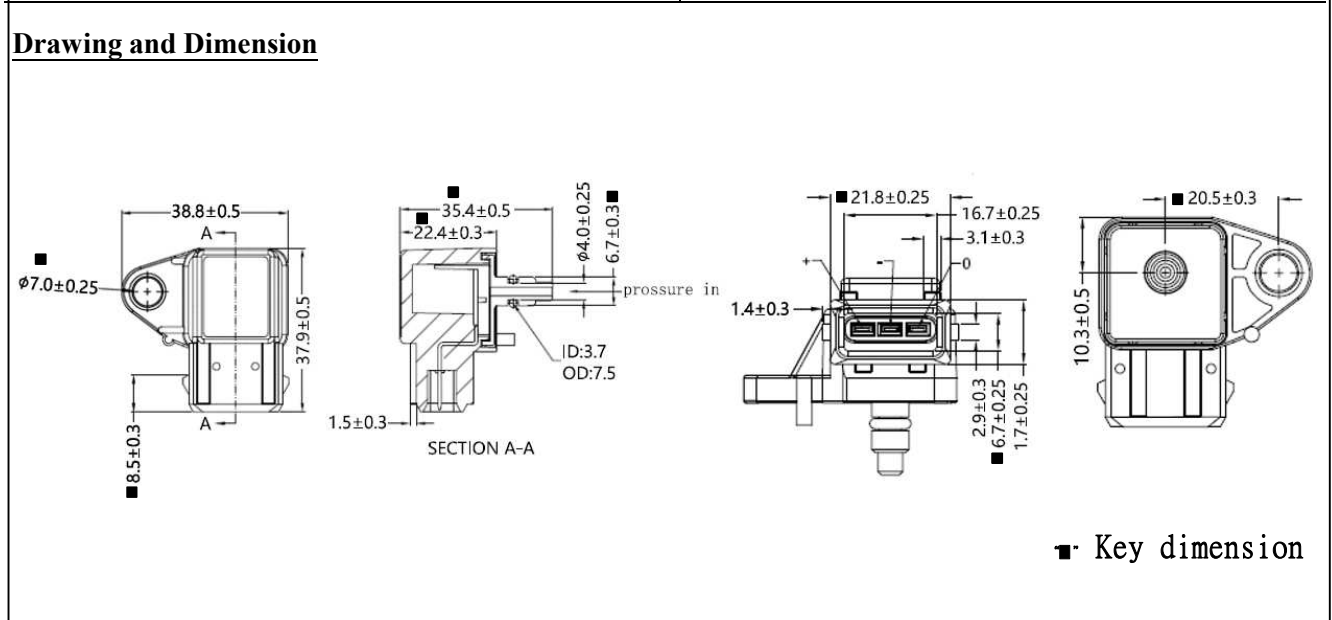
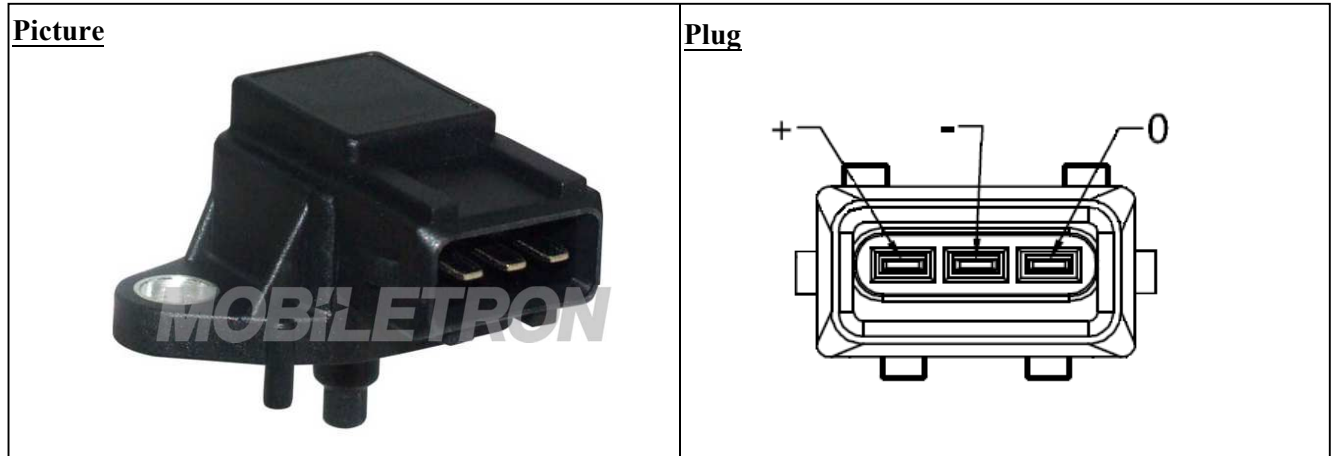


NAME	MS-E004 Electrical Specifications	NO	MS-1-4-001
-------------	--	-----------	-------------------



PARAMETERS AND CONDITIONS	SYMBOLS	MIN.	TYP.	MAX.	UNITS
Storage Temperature Range	T_{ST}	-40	-	150	°C
Operating Temperature Range	T_{OP}	-40	-	125	°C
Pressure Range	P_r	25	-	325	KPa
Supply Voltage	V_{Sv}	4.8	5	5.2	V
Supply Current	I_{sc}	-	10	-	mA
Accuracy @ 25°C	%FS	-3	-	+3	%FS
The MAP voltage output at 25°C (@ Supply Voltage (V_s)=5.0Vdc, rated pressure = 101.3KPa)	V	1.02	1.32	1.62	V

2020.12.03		1	王亮	呂漢榮	黃鵬	MOBILETRON
Date of first edition	Date of revised edition	edition	Manuscript	Review	Approval	Dec.08.2020
						Release