
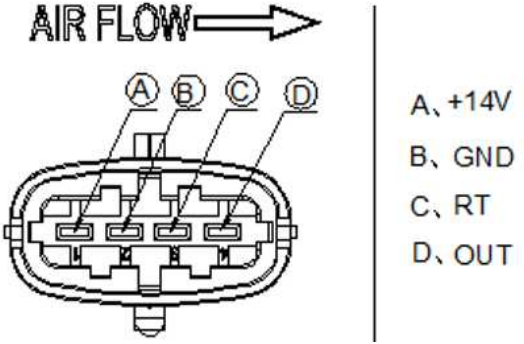
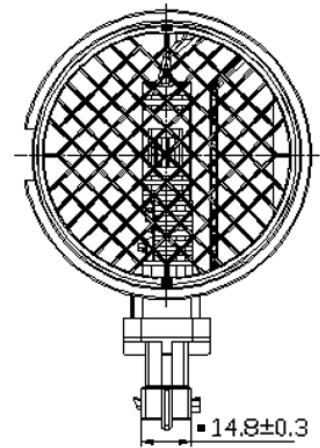
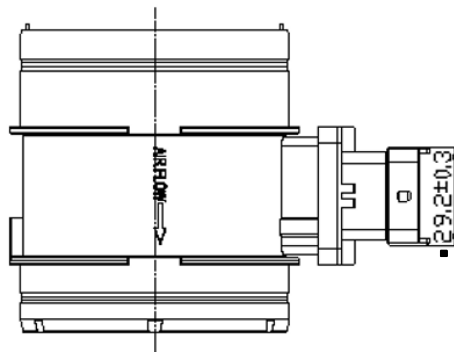
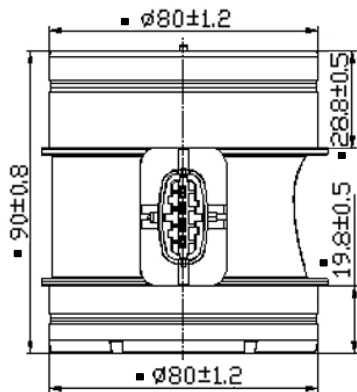


NAME	MA-B255 Electrical Specification	NO.	MA-1-1-563-6
-------------	---	------------	--------------

Mass Air Flow Sensor Schematic 	Connection Diagram 
--	---

1. DRAWING AND DIMENSION.(mm)

“■” key dimension



2. ELECTRICAL PROPERTIES

2.1 Operating Temperature Range :

(AT $t=23\pm5^{\circ}\text{C}$)

Accuracy : $\pm 7\%$

RT RESISTANCE : YES

Air-Flow Measuring Range : 10-800 Kg/h

2.2 OUTPUT VOLTAGE

(AT $t=23\pm5^{\circ}\text{C}$)

INPUT VOLTAGE DC : $14 \pm 0.1\text{ V}$

Output Frequency : 1.5-9.5kHz

Response Time : $\leq 100\text{ms}$

2021.03.11		1	王亮	呂漢榮	黃鵬	MOBILETRON
Date of first edition	Date of revised edition	edition	Manuscript	Review	Approval	Mar.16.2021
						Release