
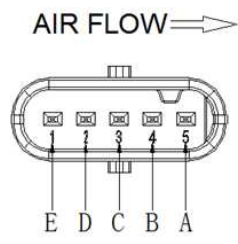
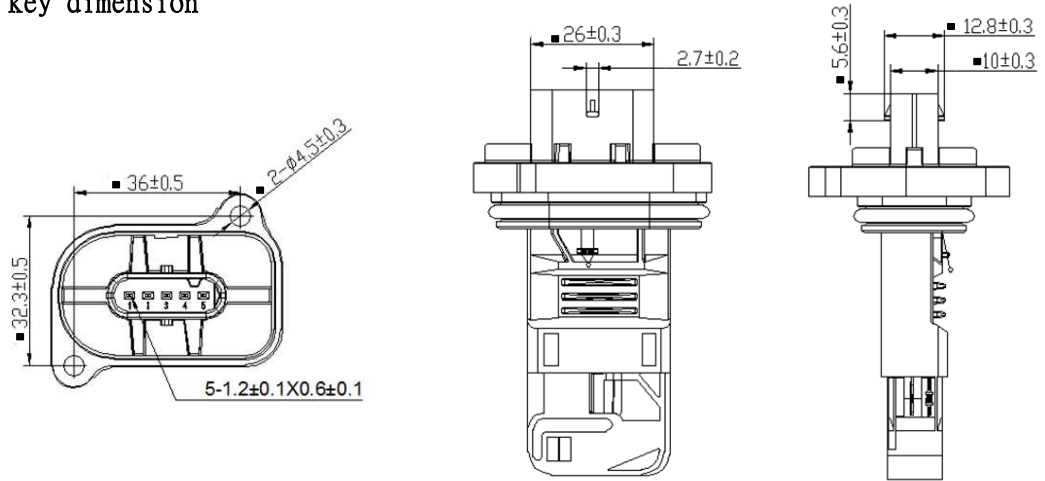


<b>NAME</b>	<b>MA-B250S Electrical Specification</b>	<b>NO.</b>	MA-1-1-559-6
-------------	--	------------	--------------

<b>Mass Air Flow Sensor Schematic</b> 	<b>Connection Diagram</b>  <div style="margin-left: 20px;"> A、OUT  B、REF  C RT  D、GND  E、 +14V </div>
--	--

**1. DRAWING AND DIMENSION.(mm)**

“■” key dimension



**2. ELECTRICAL PROPERTIES**

**2.1 Operating Temperature Range :**

(AT  $t=23\pm5^{\circ}\text{C}$ )

Accuracy :  $\pm 7\%$

RT RESISTANCE : YES

Air-Flow Measuring Range : 10-600 Kg/h

**2.2 OUTPUT VOLTAGE**

(AT  $t=23\pm5^{\circ}\text{C}$ )

INPUT VOLTAGE DC :  $14 \pm 0.1\text{ V}$

Output Frequency : 1.5-9KHz

Response Time :  $\leq 100\text{ms}$

2020.09.10		1	呂漢榮	王亮	黃鵬	MOBILETRON
Date of first edition	Date of revised edition	edition	Manuscript	Review	Approval	Sep.15.2020
						Release