
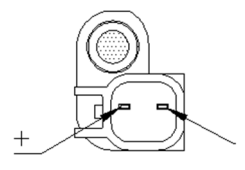
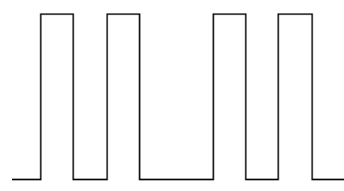
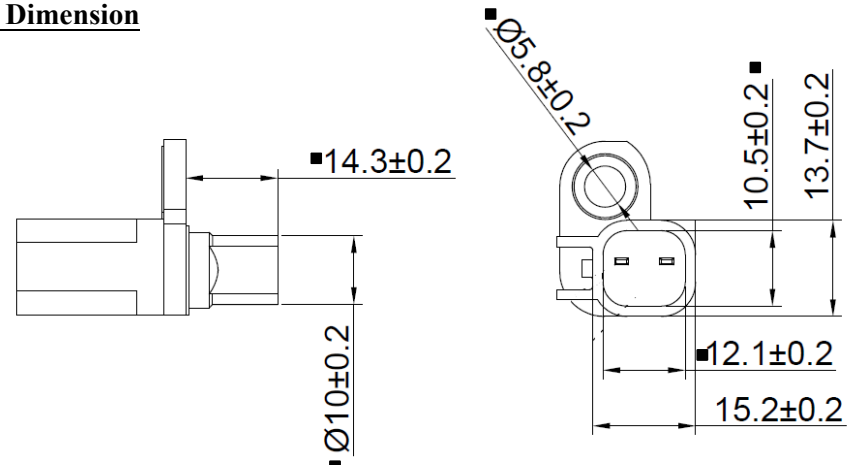


<b>NAME</b>	<b>AB-EU343</b>	<b>Electrical Specifications</b>	<b>NO</b>	<b>AB-2-4-466</b>
-------------	-----------------	----------------------------------	-----------	-------------------

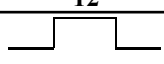
<b>Picture</b> 	<b>Plug</b> 	<b>Waveform</b>  Out Voltage: $V_{OL} \leq V \leq V_{OH}$
-----------------------------------------------------------------------------------------------------	---------------------------------------------------------------------------------------------------	----------------------------------------------------------------------------------------------------------------------------------------------------

**Drawing and Dimension**



■ Key dimension

TYPE : ■ Hall □ Magnetic

Parameter	SYMBOLS	MIN.	TYP.	MAX.	UNITS
Resistance@120Hz	R	N/A	N/A	N/A	Ω
Inductance@120Hz	L	N/A	N/A	N/A	mH
Working Voltage	V	5	12	16	V
Waveform Profile		N/A		N/A	
Frequency	Freq.	0	595	15000	Hz
Detecting range	Air Gap	0	0.5	2.5	mm
Magnetic strength	Bo	N/A	N/A	N/A	mT
Magnetic field direction SFS=South facing sensor NFS=North facing sensor			N		
Duty ratio(t1/T)	Duty	N/A	N/A	N/A	%
Temperature	To	-30	25	125	℃
Reference Teeth		N/A	N/A	N/A	
Output Voltage	Vp-p	1.4	1.8	2.2	V

2018.06.25		1	魏毛毛	黄鹏	黄鹏	MOBILETRON
Date of first edition	Date of revised edition	edition	Manuscript	Review	Approval	Jun.28.2018
						Release