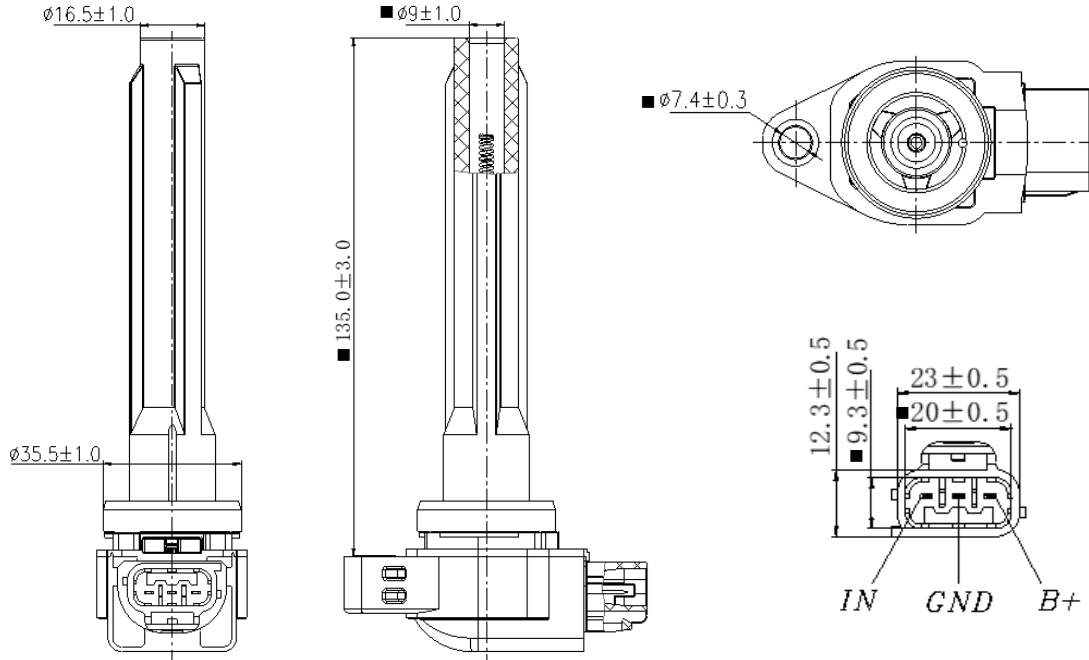


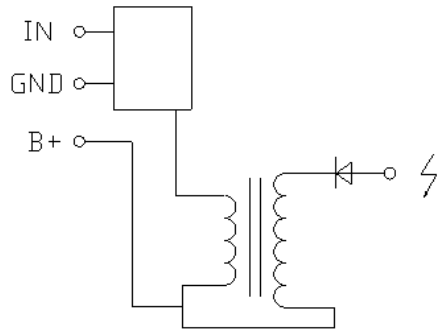
NAME	CM-23 Electrical Specification	NO.	IC-1-1-1146-7
-------------	---------------------------------------	------------	----------------------

1. DRAWING AND DIMENSION.(mm)

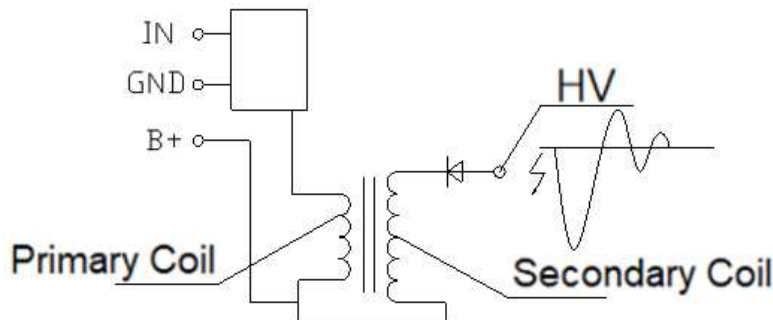
■ Key dimension



2. CIRCUIT DIAGRAM



3.4 TEST CIRCUIT



3. ELECTRICAL PROPERTIES

3.1 DC RESISTANCE : AT $t=25\pm 5^{\circ}\text{C}$

Primary Resistance : -----

Secondary Resistance : -----

3.2 INDUCTANCE : AT $t=25\pm 5^{\circ}\text{C}$ $f=1\text{KHz}$

Primary Inductance : -----

Secondary Inductance : -----

3.3 OUTPUT VOLTAGE

AT

Input Voltage DC : 13.5V

Frequency : 50Hz

LOAD : 50PF//1M Ω

Vout : $\geq 18\text{KV}$

Dwell : 2.6ms

2021.01.23		1	魯企航	呂漢榮	黃鵬	MOBILETRON
Date of first edition	Date of revised edition	Edition	Manu-script	Review	Approval	Jan.27.2021
						Release