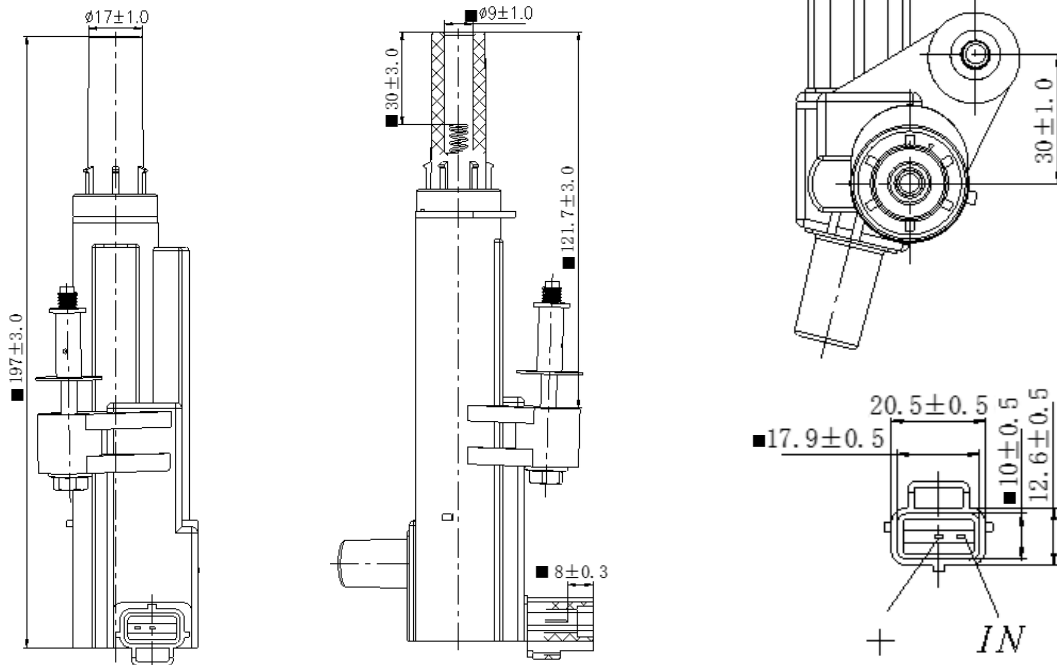


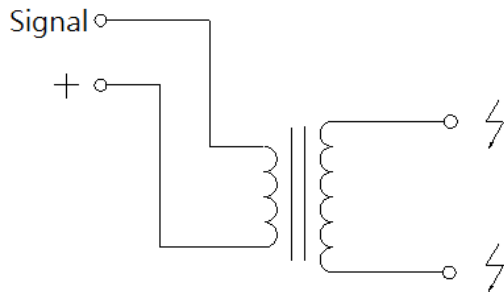
<b>NAME</b>	<b>CC-44 Electrical Specification</b>	<b>NO.</b>	<b>IC-1-1-1138-E</b>
-------------	---------------------------------------	------------	----------------------

**1. DRAWING AND DIMENSION.(mm)**

■ Key dimension



**2. CIRCUIT DIAGRAM**



**3. ELECTRICAL PROPERTIES**

**3.1 DC RESISTANCE : AT  $t=25\pm5^{\circ}\text{C}$**

- Primary Resistance :  $0.8\Omega\pm15\%$
- Secondary Resistance :  $15.5\text{K}\Omega\pm20\%$

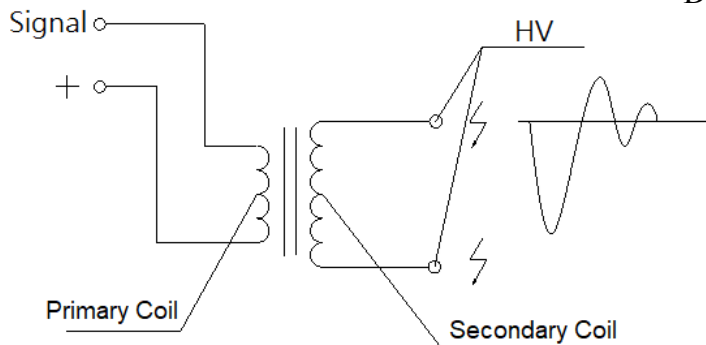
**3.2 INDUCTANCE : AT  $t=25\pm5^{\circ}\text{C}$   $f=1\text{KHz}$**

- Primary Inductance :  $2.5\text{mH}\pm15\%$
- Secondary Inductance :  $19.0\text{H}\pm20\%$

**3.3 OUTPUT VOLTAGE**

- AT
- Input Voltage DC : 13.5V
- Frequency : 50Hz
- LOAD : 50PF//1M $\Omega$
- Vout :  $\geq 16\text{KV}$
- Dwell : 3.6ms

**3.4 TEST CIRCUIT**



2021.01.23		1	魯企航	呂漢榮	黃鵬	MOBILETRON
Date of first edition	Date of revised edition	Edition	Manu-script	Review	Approval	Jan.27.2021
						Release