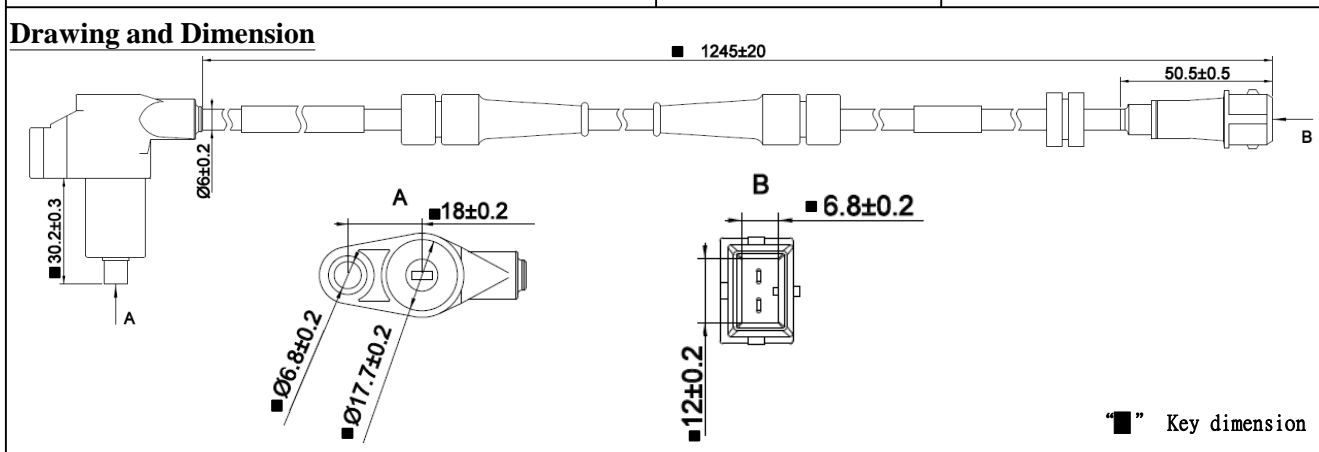
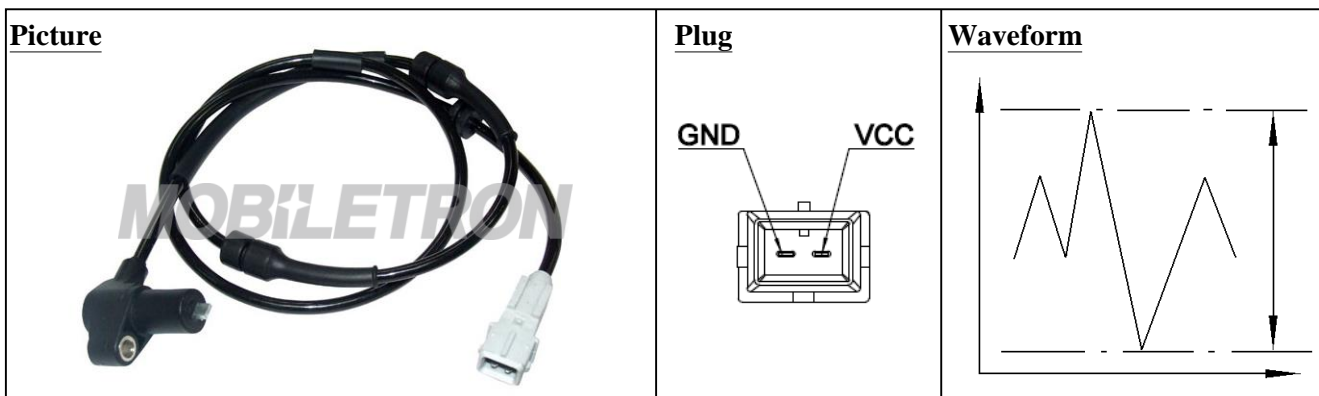


<b>NAME</b>	<b>AB-EU074 Electrical Specifications</b>	<b>NO</b>	<b>AB-1-4-069</b>
-------------	---	-----------	-------------------



TYPE :  Hall  Magnetic

Parameter	SYMBOLS	MIN.	TYP.	MAX.	UNITS
Resistance (25°C)	R	1240	1550	1860	ohm
Inductance@1KHz	L	1000	1250	1500	mH
Working Voltage	V	N/A	N/A	N/A	V
Detecting range	Air Gap	N/A	1	N/A	mm
Magnetic field direction SFS=South facing sensor NFS=North facing sensor		NFS	NFS	NFS	
Duty ratio(t1/T)	Duty	N/A	N/A	N/A	%
Temperature	To	-40	25	125	°C
Reference Teeth		N/A	48	N/A	
Output Voltage (600RPM,1mm)	Vp-p	3.68	4.6	5.52	V

2015.01.09	2021.06.24	4	王亮	汪芳波	黄鹏	<b>MOBILETRON</b>
Date of first edition	Date of revised edition	edition	Manuscript	Review	Approval	<b>Jun.29.2021</b>
						<b>Release</b>