
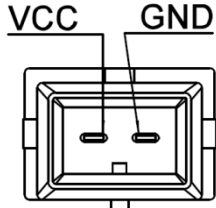
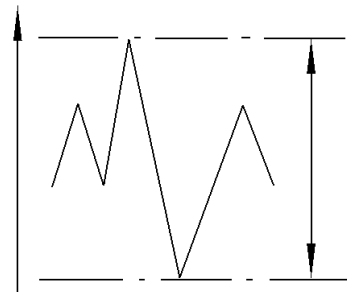
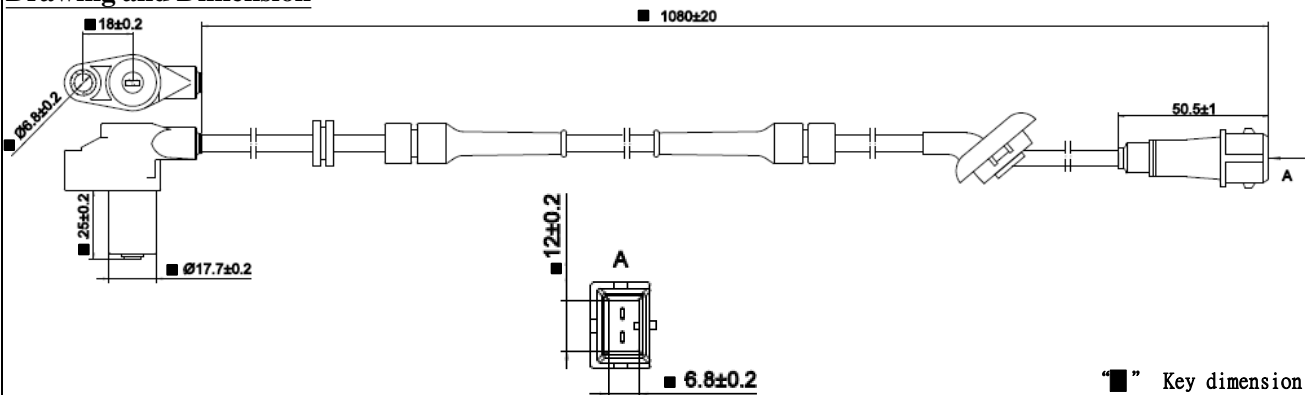


NAME	AB-EU055 Electrical Specifications	NO	AB-1-4-139
-------------	---	-----------	-------------------

Picture 	Plug 	Waveform 
---	--	---

Drawing and Dimension


"■" Key dimension

TYPE : Hall Magnetic

Parameter	SYMBOLS	MIN.	TYP.	MAX.	UNITS
Resistance (25°C)	R	1280	1600	1920	ohm
Inductance@1KHz	L	560	700	840	mH
Working Voltage	V	N/A	N/A	N/A	V
Detecting range	Air Gap	N/A	1	N/A	mm
Magnetic field direction SFS=South facing sensor NFS=North facing sensor		SFS	SFS	SFS	
Duty ratio(t1/T)	Duty	N/A	N/A	N/A	%
Temperature	To	-30	25	125	°C
Reference Teeth			48		
Output Voltage (600RPM,1mm)	Vp-p	6.1	7.6	9.1	V

2015.12.10	2019.03.21	2	呂漢榮	王亮	黃鵬	MOBILETRON
Date of first edition	Date of revised edition	edition	Manuscript	Review	Approval	Mar.26.2019
						Release