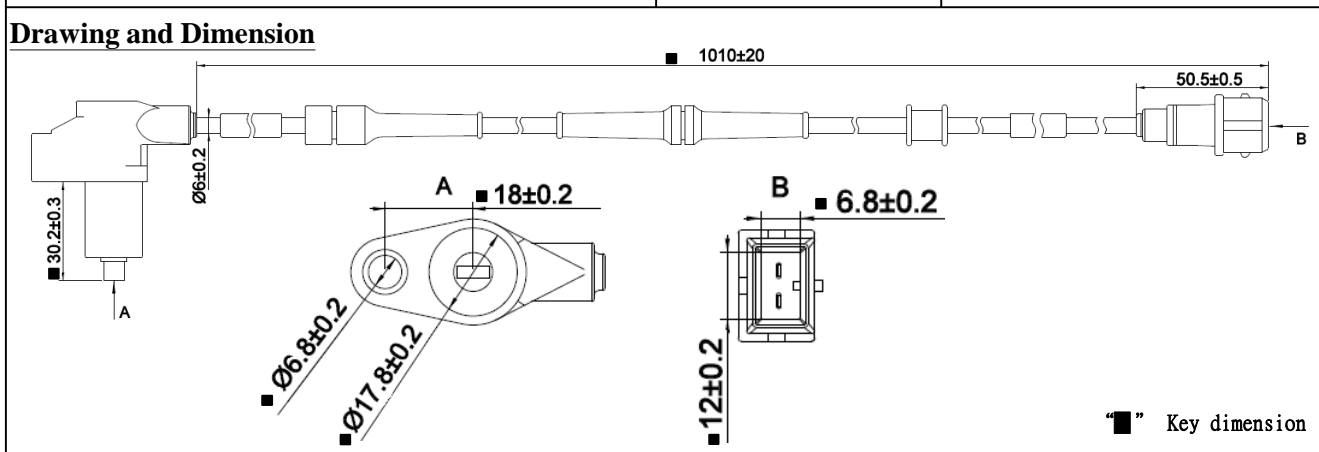
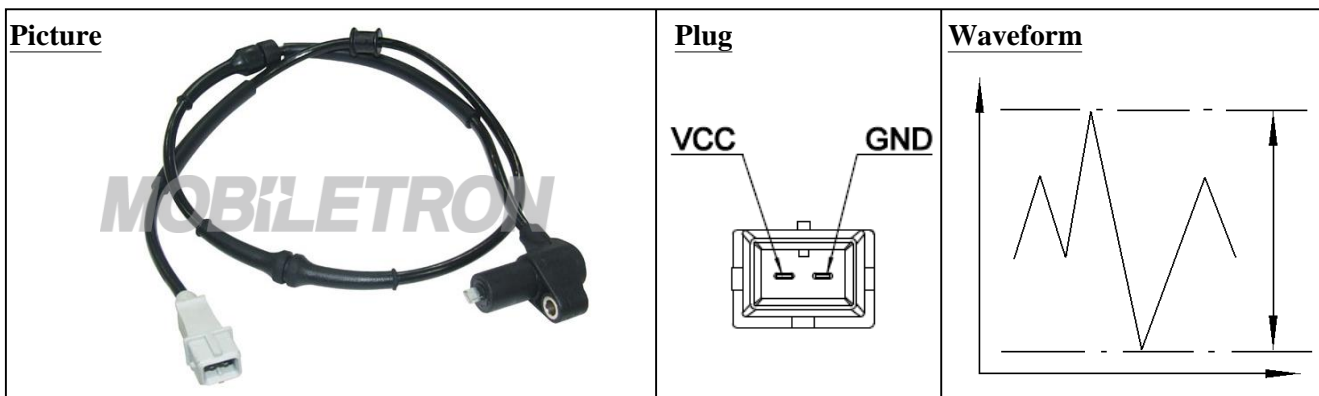


NAME	AB-EU052 Electrical Specifications	NO	AB-1-4-120
-------------	---	-----------	-------------------



TYPE : Hall Magnetic

Parameter	SYMBOLS	MIN.	TYP.	MAX.	UNITS
Resistance (25°C)	R	1240	1550	1860	ohm
Inductance@1KHz	L	1000	1250	1500	mH
Working Voltage	V	N/A	N/A	N/A	V
Detecting range	Air Gap	N/A	1	N/A	mm
Magnetic field direction SFS=South facing sensor NFS=North facing sensor		NFS	NFS	NFS	
Duty ratio(t1/T)	Duty	N/A	N/A	N/A	%
Temperature	To	-40	25	125	°C
Reference Teeth		N/A	48	N/A	
Output Voltage (600RPM,1mm)	Vp-p	3.68	4.6	5.52	V

2015.08.28	2021.06.24	3	王亮	汪芳波	黄鹏	MOBILETRON
Date of first edition	Date of revised edition	edition	Manuscript	Review	Approval	Jun.29.2021
						Release