

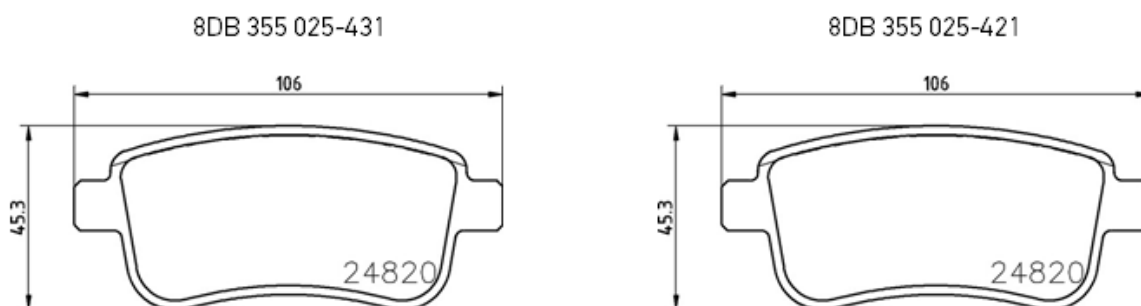
SI2019-018

Regarding replacement of 8DB 355 025-431 (T2643) by 8DB 355 025-421 (T2642)

Due to a replacement in the OES and in order to help our customers to decrease complexity, we are optimizing our portfolio.

Following the OES reference number 440603734R and the fact that both items are dimensionally completely identical, the 8DB 355 025-431 will be harmonized into 8DB 355 025-421.

Currently the 8DB 355 025-431 and 8DB 355 025-421 have different sliding shims with different gap sizes but according to the OE information those sliding shims are interchangeable and therefore there will be no difficulties during installation, operation and functionality.



Existing stock of the obsolete reference 8DB 355 025-431 can be sold out without any problems.