

## SI2019-017

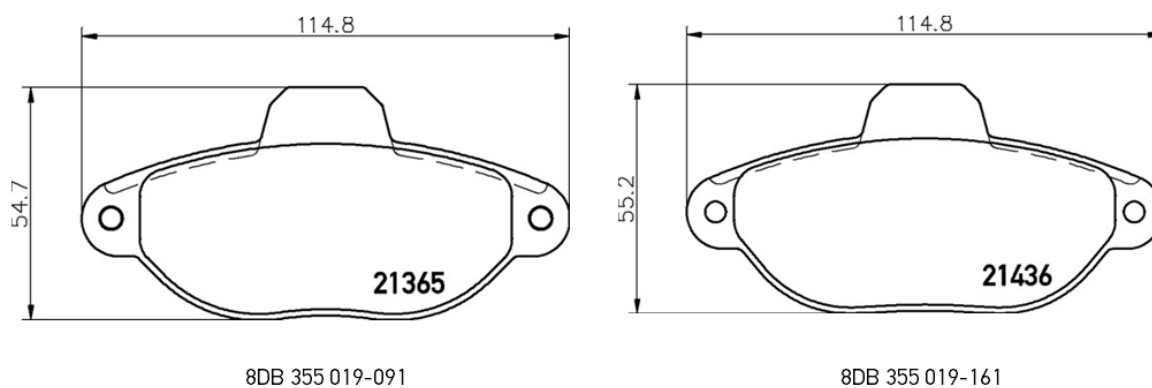
### Regarding replacement of 8DB 355 019-091 (T9021) by 8DB 355 019-161 (T9031)

In order to help our customers to decrease complexity, we are optimizing our portfolio.

Due to the fact that the above mentioned references are interchangeable we are going to harmonize these two into one.

From now on, the 8DB 355 019-161 will cover the applications of both part numbers.

As you can see in the below picture the outer dimensions of the pads are similar.



Existing stock of 8DB 355 019-091 can be sold out without any problems.