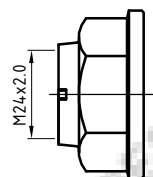
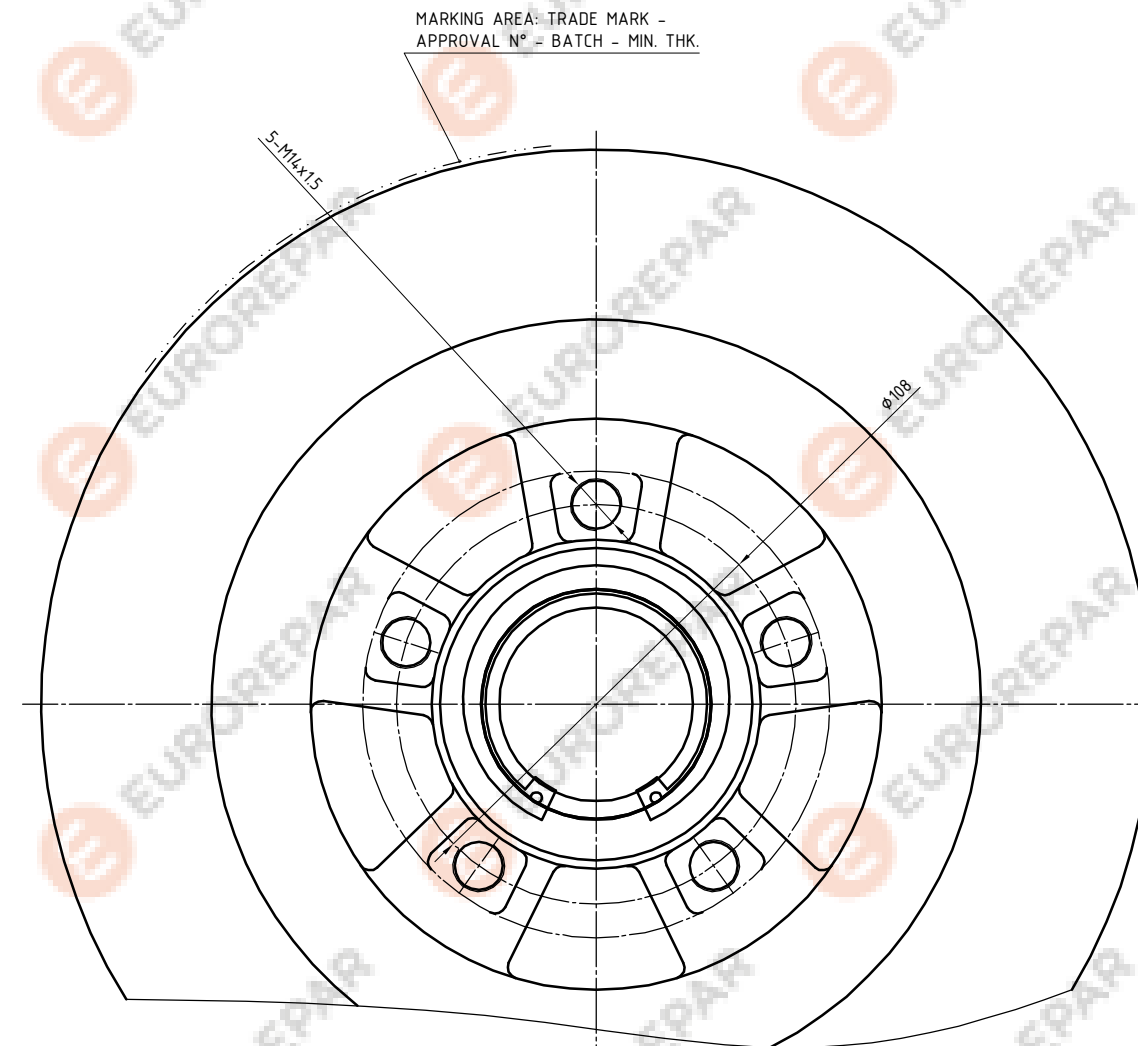
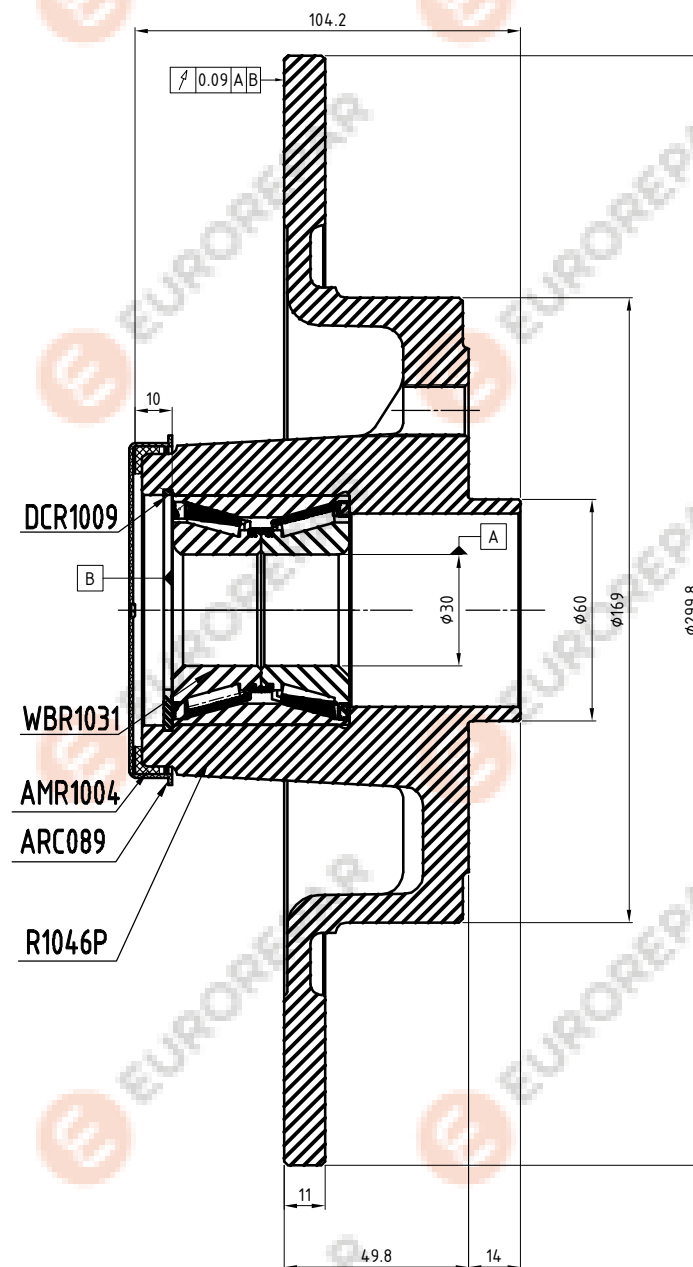


NCR1004



HNR1004



MARKING AREA: TRADE MARK -  
APPROVAL N° - BATCH - MIN. THK.

ARC089	closure door		1	
NCR1004	DUST COVER		1	
HNR1004	HUB NUT		1	
AMR1004	ABS TONE RING		1	
DCR1009	SEBGER		1	
WBR1031	BEARING		1	
R1046P	DISK		1	
CODE	NAME	MATERIAL	PCS	NOTE

MIN. TH. 9.5 mm.