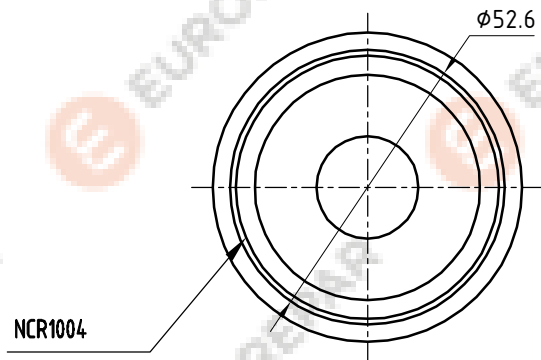
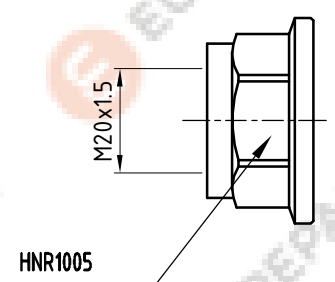


MARKING AREA: TRADE MARK -  
APPROVAL N° - BATCH - MIN. THK.

MIN. TH. 9 mm.



NCR1004	DUST COVER		1	
HNR1005	HUB NUT		1	
AMR1005	ABS TONE RING		1	
DCR1005	SEGER		1	
WBR1030	BEARING		1	
R1038P	DISK		1	
CODE	NAME	MATERIAL	PCS	NOTE

**EUROREPAR**