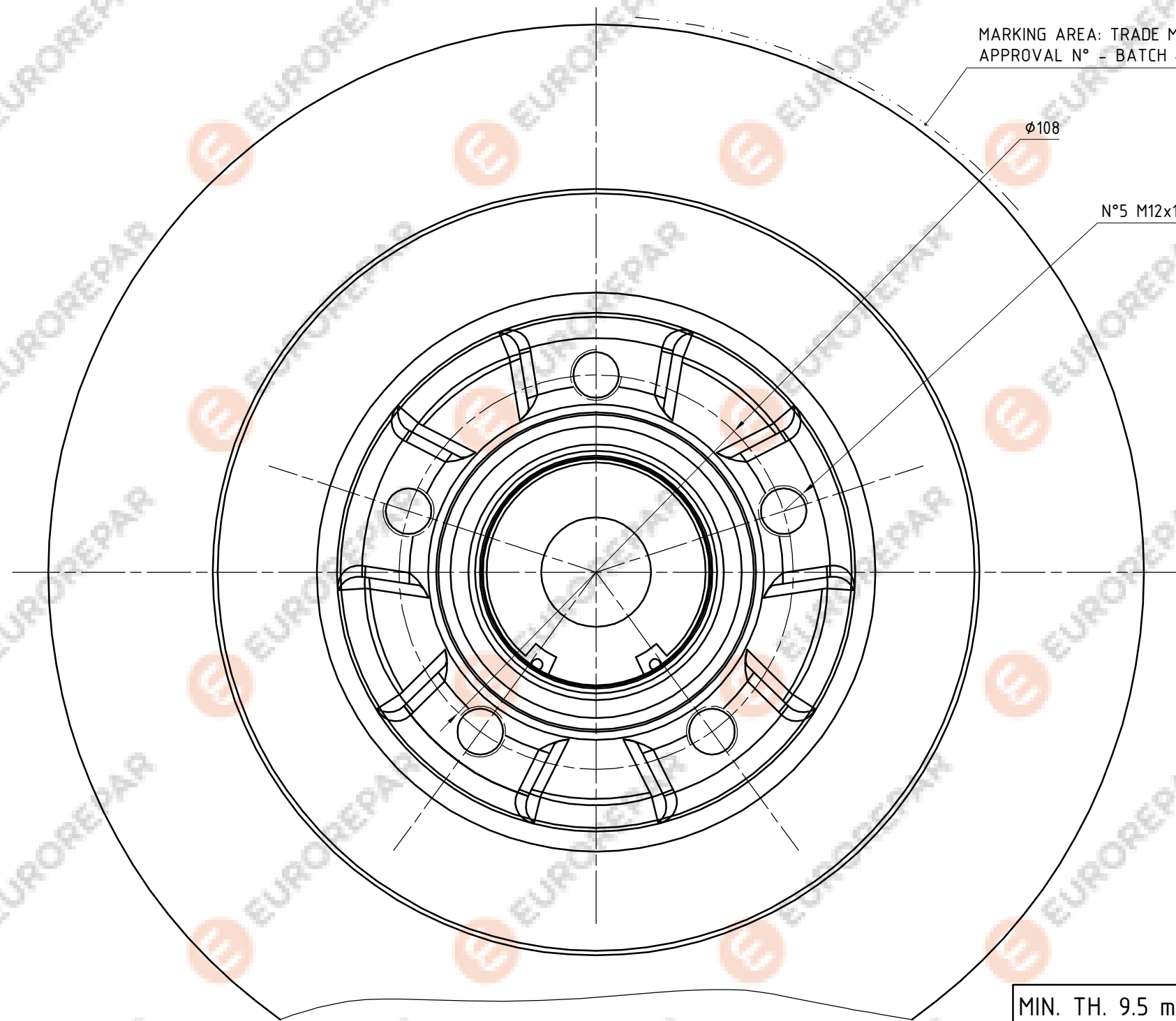
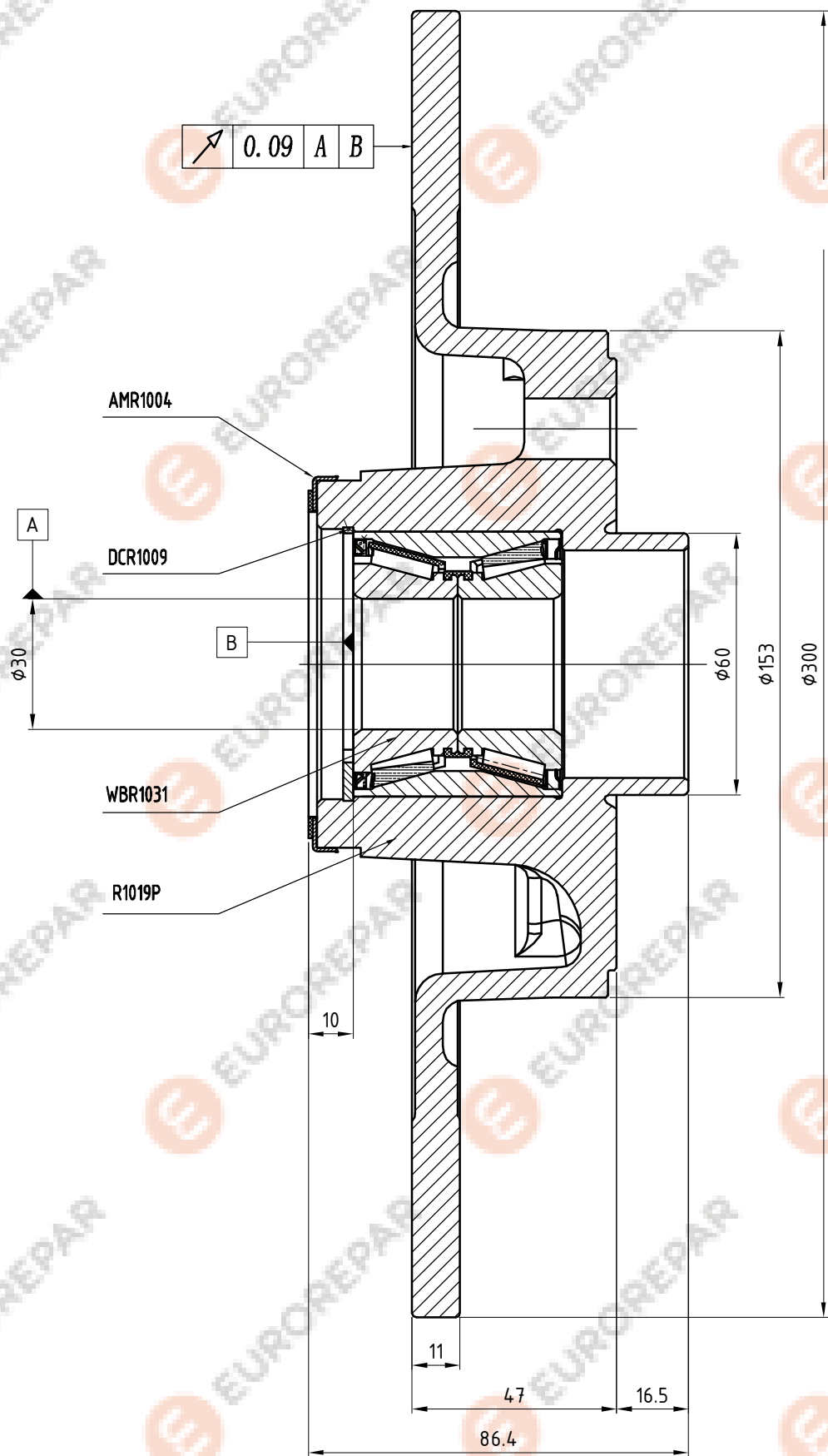
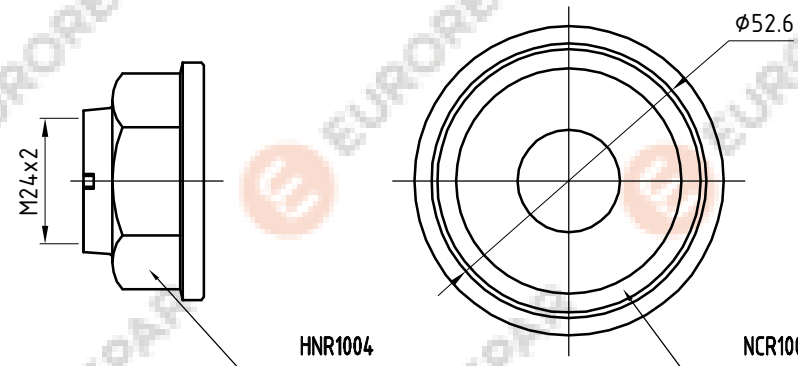


0.09 A B



MARKING AREA: TRADE MARK -
APPROVAL N° - BATCH - MIN. THK.

MIN. TH. 9.5 mm.



NCR1004	DUST COVER		1	
HNR1004	HUB NUT		1	
AMR1004	ABS TONE RING		1	
DCR1009	SCREWER			
WBR1031	BEARING			
R1019P	DISK		1	
CODE	NAME	MATERIAL	PCS	NOTE

EUROREPAR