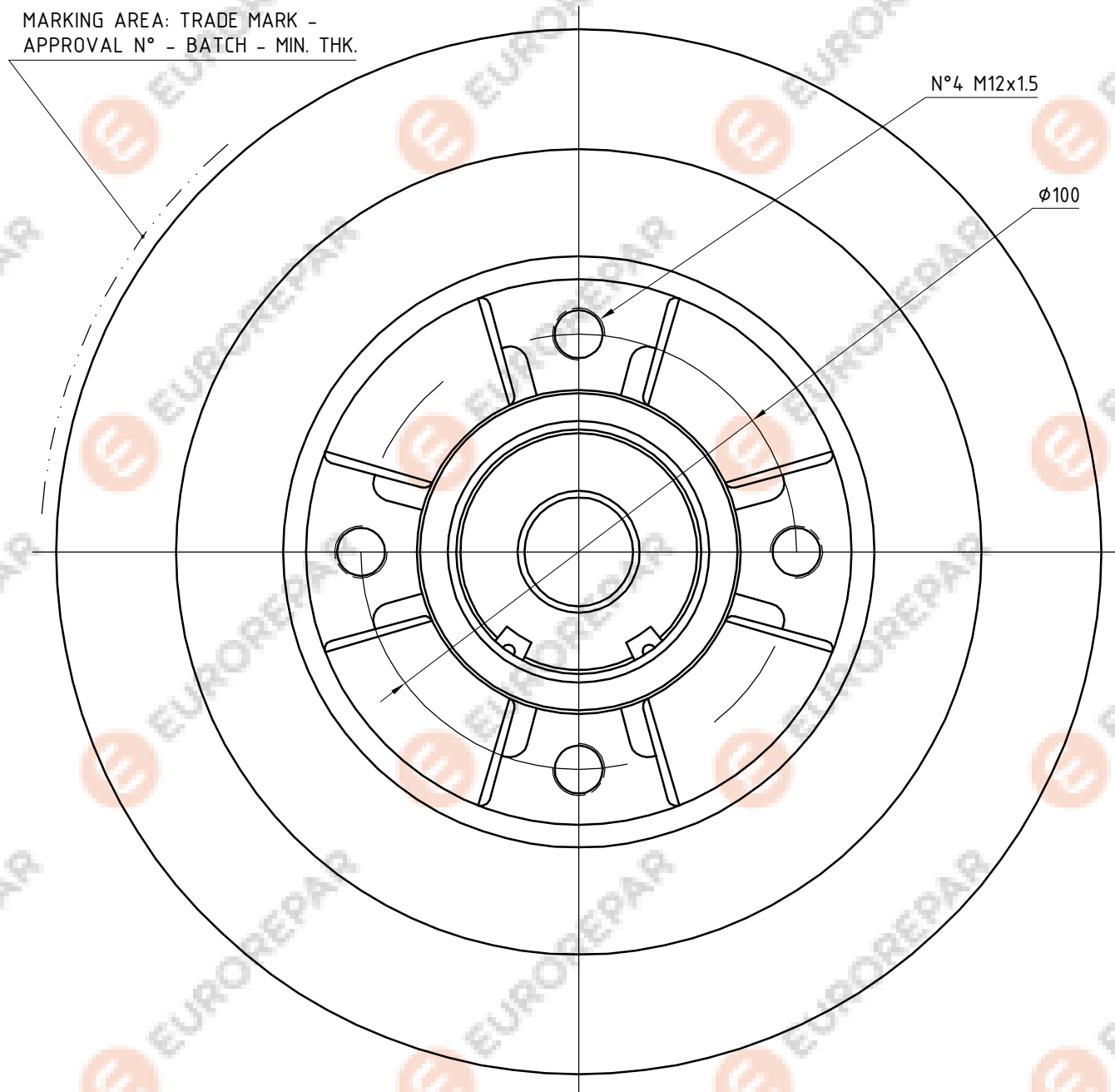
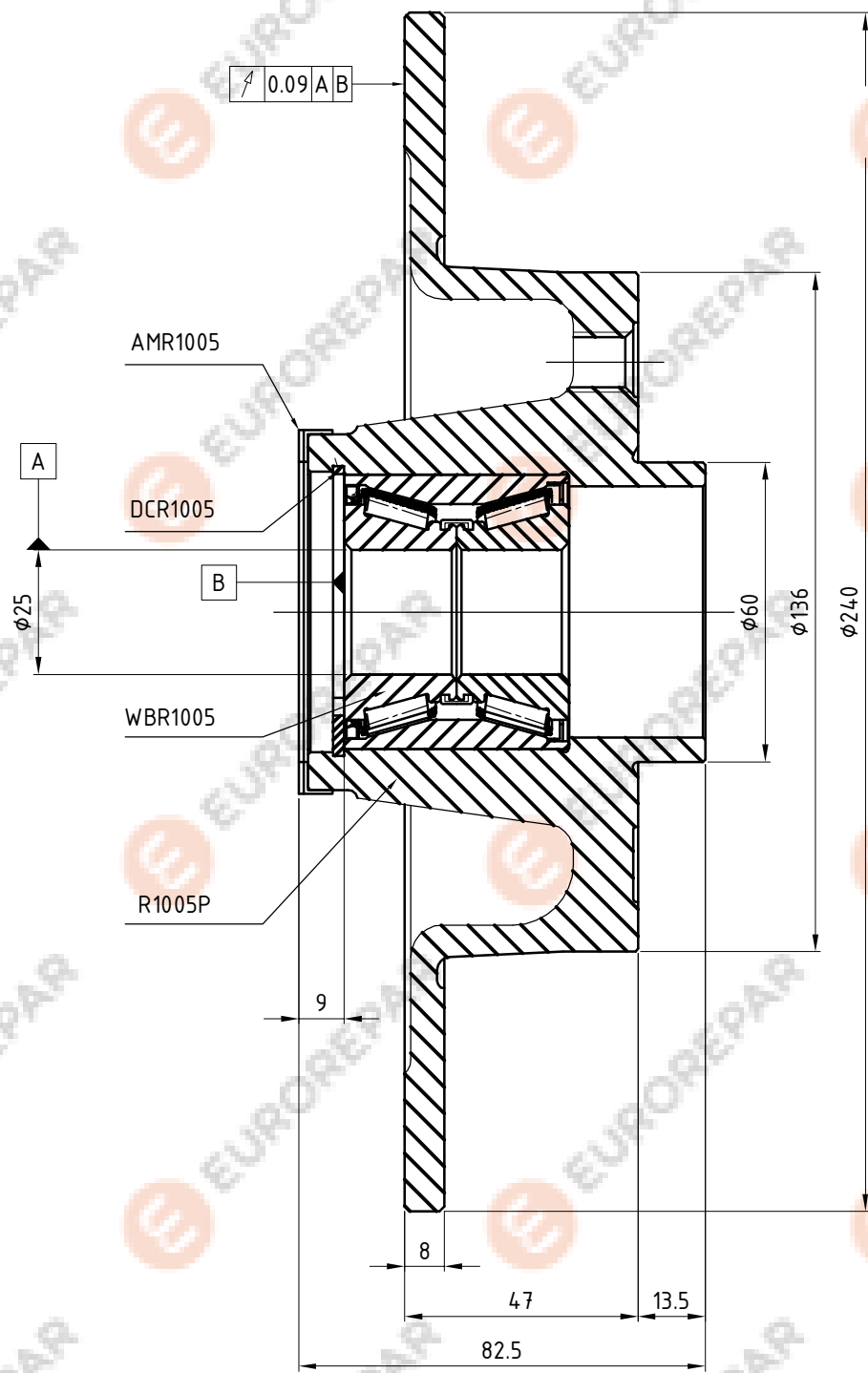
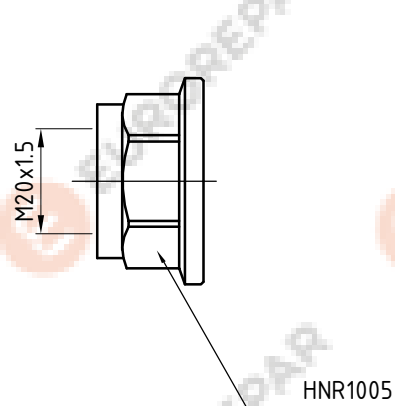


MARKING AREA: TRADE MARK -
APPROVAL N° - BATCH - MIN. THK.



MIN. TH. 7 mm.



NCR1004	DUST COVER		1	
HNR1005	HUB NUT		1	
AMR1005	ABS TONE RING		1	
DCR1005	SEEBER		1	
WBR1005	BEARING		1	
R1005P	DISC		1	
CODE	NAME	MATERIAL	PCS	NOTE

EUROREPAR