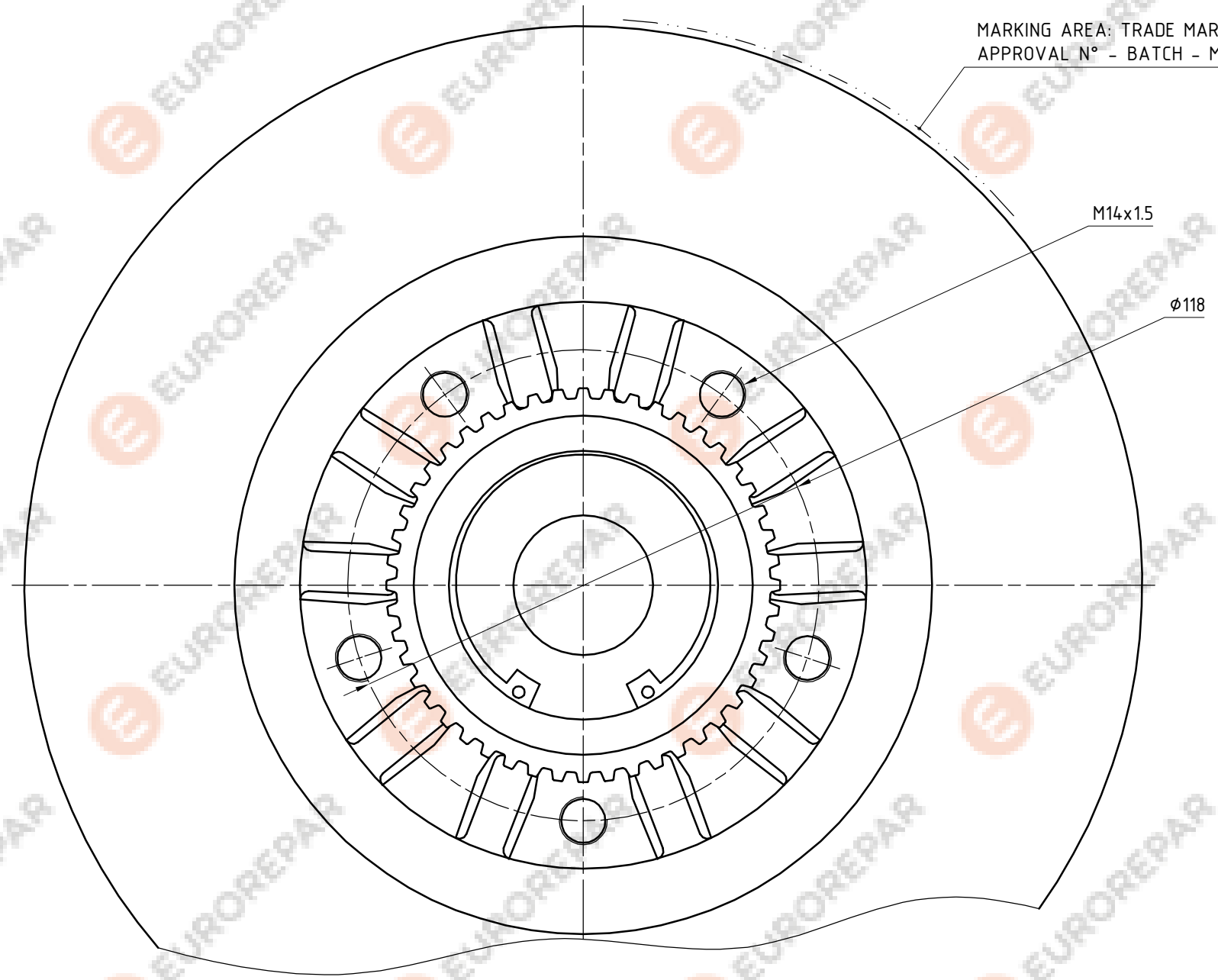
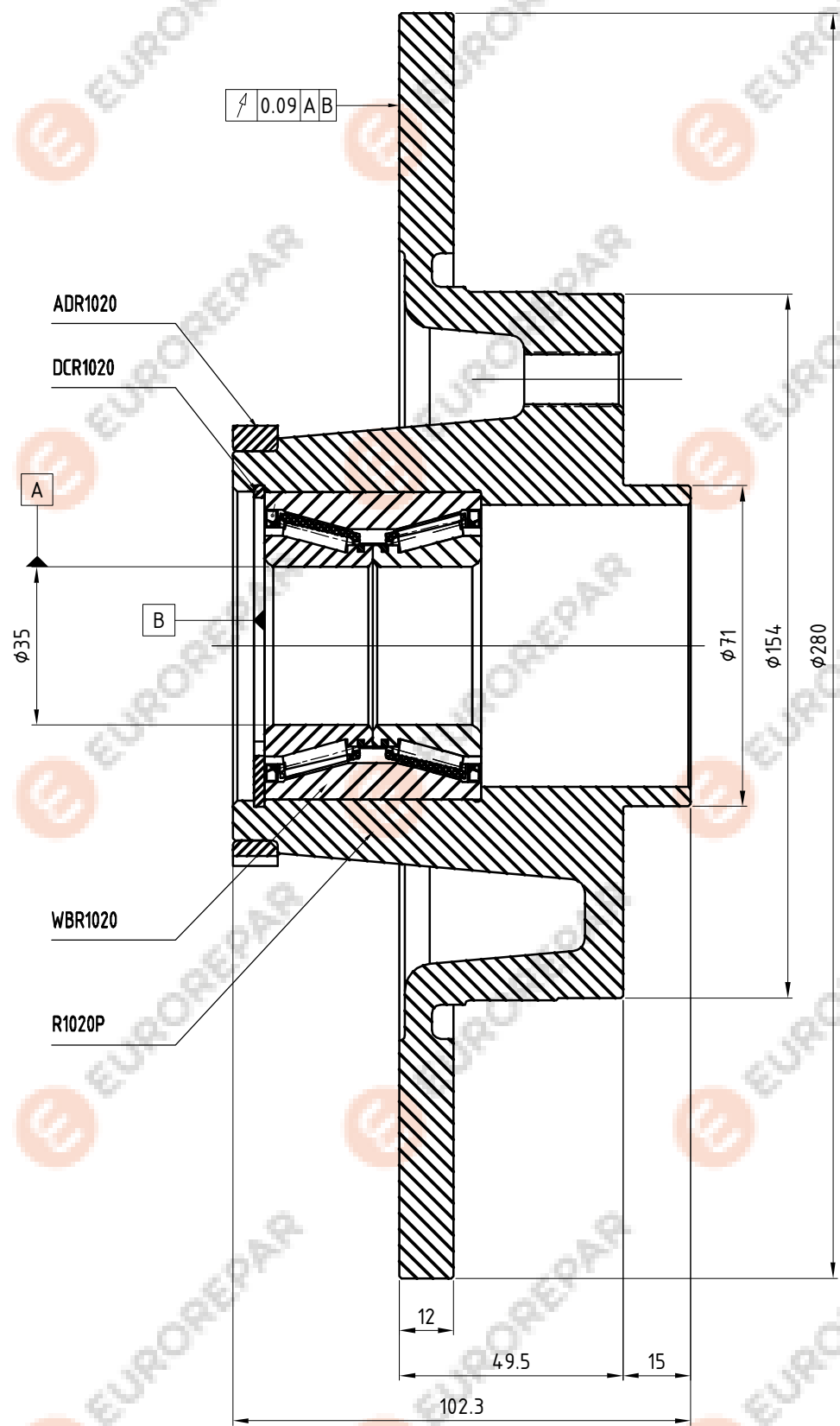
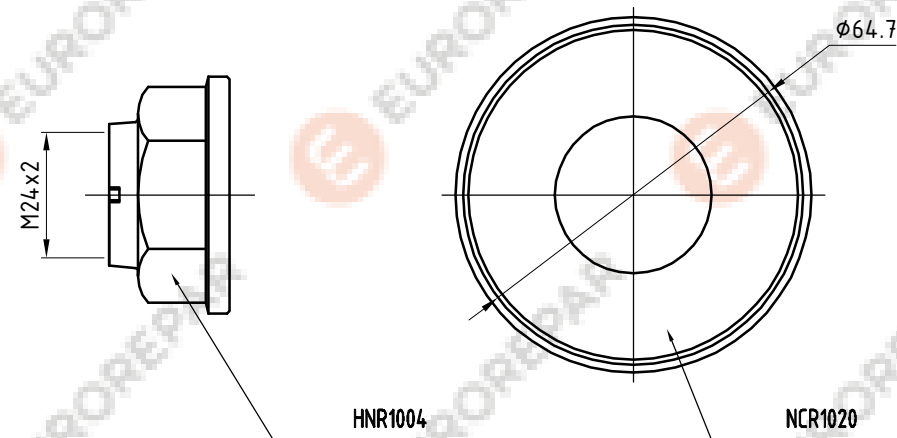


MARKING AREA: TRADE MARK -
APPROVAL N° - BATCH - MIN. THK.



MIN. TH. 10 mm.



NCR1020	DUST COVER		1	
HNR1004	HUB NUT		1	
ADR1020	ABS TONE RING		1	
DCR1020	SEGER		1	
WBR1020	BEARING		1	
R1020P	DISK		1	
CODE	NAME	MATERIAL	PCS	NOTE

EUROREPAR