

# FORD WATER PUMP FWP1790 IMPORTANT INFORMATION

COOLING



Issue Date: 24/09/10 Issue Number: COTB0015F

**APPLICATION :** Ford C-Max Mk I, Fiesta IV, Focus Mk I, Focus Mk II,  
Focus C-Max, Galaxy III, Mondeo IV, S-Max, Courier II,  
Fiesta Van IV, Transit Connect, Transit Tourneo Connect 1.8TD

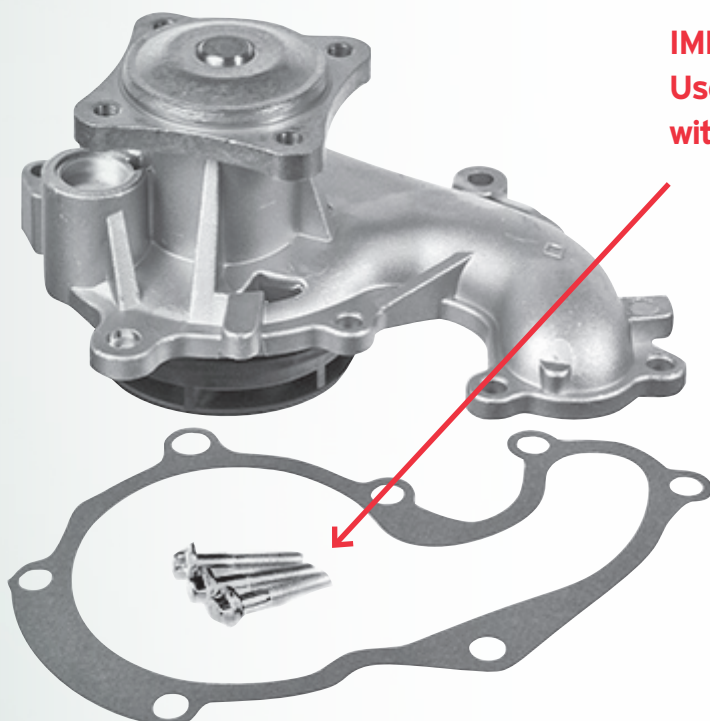
**APPLICABLE REFERENCES :** FWP1790

It is imperative to use the bolts that are supplied with this water pump due to changes to the thickness of the pump body.

**Failure to use the supplied bolts in the correct orientation will cause serious damage to the engine block which would be immediately apparent.**

**It is essential that care is taken when installing the pump as the bolt protrusion can damage the engine block water jacket in they are not located in the correct position.**

## AT A GLANCE



**IMPORTANT -  
Use bolts supplied  
with Water Pump.**

**FWP1790**

Technical Information

If you require any further information please visit our Website  
or contact the Technical Department on +44 (0)1869 329 709

**FIRST LINE**  
THE ALL MAKES SPECIALIST

[www.firstline.co.uk](http://www.firstline.co.uk)

First Line Ltd, Chalker Way, Banbury, Oxon, OX16 4XD, UK