

It's your choice!



ECO *Line*
with **598** Premium tools

or



RACING *Line*
with **598** Premium tools

ECO *Line*



ECOLine black/red
Workshop trolley with 7 drawers



Lockable trough built-in cylinder lock



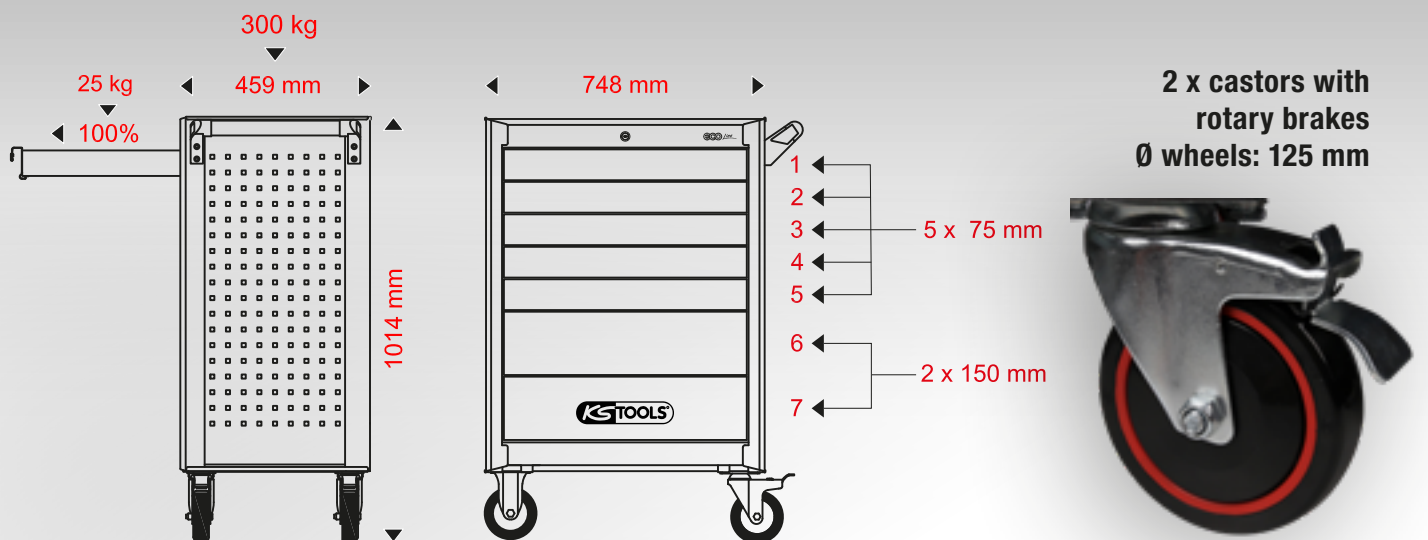
Square perforation for accessories



With self-closing and SOFT-CLOSE function



Worktop with 10 mm thick foam insert



RACING *Line*



RACINGline black/red
Workshop trolley with 7 drawers



Lockable trough built-in cylinder lock



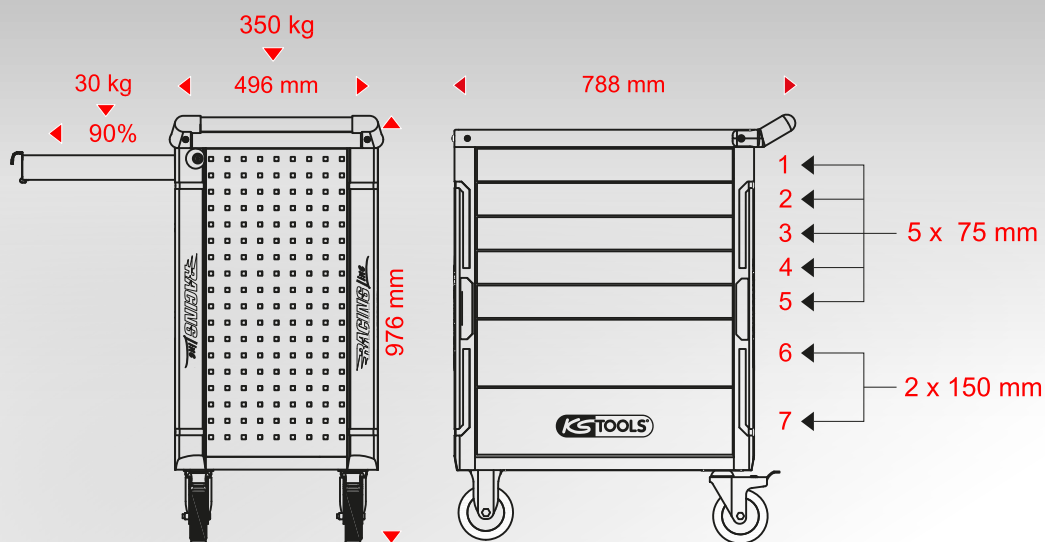
Square perforation for accessories



Individual locking prevents unintentional opening



ABS Worktop with compartments for small parts



2 x castors with rotary brakes
 Ø wheels: 125 mm



911.2008

1/4" Bit set, 208 pcs



AMT	ITEM NO.	DESCRIPTION
1 x	122.2151	1/4" drive socket, 4 mm
1 x	122.2152	1/4" drive socket, 5 mm
1 x	122.2153	1/4" drive socket, 6 mm
1 x	122.2154	1/4" drive socket, 7 mm
1 x	122.2155	1/4" drive socket, 8 mm
1 x	122.2156	1/4" drive socket, 9 mm
1 x	122.2157	1/4" drive socket, 10 mm
1 x	122.2158	1/4" drive socket, 11 mm
1 x	122.2159	1/4" drive socket, 12 mm
1 x	122.2160	1/4" drive socket, 13 mm
1 x	122.2161	1/4" drive socket, 5/32"
1 x	122.2162	1/4" drive socket, 3/16"
1 x	122.2163	1/4" drive socket, 7/32"
1 x	122.2164	1/4" drive socket, 1/4"
1 x	122.2165	1/4" drive socket, 9/32"
1 x	122.2166	1/4" drive socket, 5/16"
1 x	122.2167	1/4" drive socket, 11/32"
1 x	122.2168	1/4" drive socket, 3/8"
1 x	122.2169	1/4" drive socket, 7/16"
1 x	122.2170	1/4" drive socket, 1/2"

AMT	ITEM NO.	DESCRIPTION
1 x	159.1198	ERGOTORQUEplus 1/4" bit screwdriver 205 mm
1 x	514.1102	Bit holder, magnetic, 1/4", 50 mm
1 x	911.1198	1/4" ERGOTORQUE Bit screwdriver, 200 mm
1 x	911.1452	Square drive adaptor, for bit ratchet 1/4"
5 x	911.2201	1/4" Bit PH, 25 mm, PH1
5 x	911.2204	1/4" Bit PH, 25 mm, PH2
5 x	911.2207	1/4" Bit PH, 25 mm, PH3
1 x	911.2210	1/4" Bit PH, 50 mm, PH1
1 x	911.2213	1/4" Bit PH, 50 mm, PH2
1 x	911.2216	1/4" Bit PH, 50 mm, PH3
5 x	911.2219	1/4" Bit PZ, 25 mm, PZ1
5 x	911.2222	1/4" Bit PZ, 25 mm, PZ2
4 x	911.2225	1/4" Bit PZ, 25 mm, PZ3
1 x	911.2228	1/4" Bit PZ, 50 mm, PZ1
1 x	911.2231	1/4" Bit PZ, 50 mm, PZ2
1 x	911.2234	1/4" Bit PZ, 50 mm, PZ3
1 x	911.2237	1/4" Bit slot, 25 mm, 4 mm
1 x	911.2240	1/4" Bit slot, 25 mm, 4,5 mm

AMT	ITEM NO.	DESCRIPTION
1 x	911.2243	1/4" Bit slot, 25 mm, 5,5 mm
1 x	911.2246	1/4" Bit slot, 25 mm, 6 mm
1 x	911.2249	1/4" Bit slot, 25 mm, 6,5 mm
1 x	911.2252	1/4" Bit slot, 25 mm, 8 mm
1 x	911.2255	1/4" Bit hexagon, 25 mm, 3 mm
1 x	911.2258	1/4" Bit hexagon, 25 mm, 4 mm
1 x	911.2261	1/4" Bit hexagon, 25 mm, 5 mm
1 x	911.2264	1/4" Bit hexagon, 25 mm, 6 mm
1 x	911.2270	1/4" Bit hexagon 8 mm, 25 mm, S2
1 x	911.2273	1/4" Bit Torx tamperproof, 25 mm, TB7
1 x	911.2276	1/4" Bit Torx tamperproof, 25 mm, TB8
1 x	911.2279	1/4" Bit Torx tamperproof, 25 mm, TB9
1 x	911.2282	1/4" Bit Torx tamperproof, 25 mm, TB10
1 x	911.2285	1/4" Bit Torx tamperproof, 25 mm, TB15
1 x	911.2288	1/4" Bit Torx tamperproof, 25 mm, TB20
1 x	911.2291	1/4" Bit Torx tamperproof, 25 mm, TB25
1 x	911.2294	1/4" Bit Torx tamperproof, 25 mm, TB27
1 x	911.2297	1/4" Bit Torx tamperproof, 25 mm, TB30
1 x	911.2300	1/4" Bit Torx tamperproof, 25 mm, TB40
1 x	911.2303	1/4" Bit Torx, 25 mm, T7

911.2008

1/4" Bit set, 208 pcs

AMT	ITEM NO.	DESCRIPTION
1 x	911.2306	1/4" Bit Torx, 25 mm, T8
1 x	911.2309	1/4" Bit Torx, 25 mm, T9
1 x	911.2312	1/4" Bit Torx, 25 mm, T10
1 x	911.2315	1/4" Bit Torx, 25 mm, T15
1 x	911.2318	1/4" Bit Torx, 25 mm, T20
1 x	911.2321	1/4" Bit Torx, 25 mm, T25
1 x	911.2324	1/4" Bit Torx, 25 mm, T27
1 x	911.2327	1/4" Bit Torx, 25 mm, T30
1 x	911.2330	1/4" Bit Torx, 25 mm, T40
1 x	911.2344	1/4" Bit spline XZN, 25 mm, M5
1 x	911.2347	1/4" Bit spline XZN, 25 mm, M6
1 x	911.2350	1/4" Bit spline XZN, 25 mm, M8
1 x	911.2359	1/4" Bit slot 7 mm, 25 mm, S2
1 x	911.2362	1/4" Bit hexagon 5,5 mm, 25 mm, S2
1 x	911.2368	1/4" Bit Torx, 25 mm, T35
1 x	911.2371	1/4" Bit Torx, 25 mm, T45
1 x	911.2377	1/4" Bit hexagon 2 mm, 25 mm
1 x	911.2383	1/4" Bit hexagon 1,5 mm, 25 mm, S2
1 x	911.2386	1/4" Bit hexagon 2,5 mm, 25 mm
1 x	911.2389	1/4" Bit slot 3 mm, 25 mm, S2
1 x	911.2392	1/4" Bit slot 5 mm, 25 mm, S2
1 x	911.2561	1/4" Bit Torx, 25 mm, T5
1 x	911.2562	1/4" Bit Torx, 25 mm, T6
1 x	911.2563	1/4" Bit Torx, 25 mm, T45
1 x	911.2564	1/4" Bit hexagon 3,5 mm, 25 mm, S2
1 x	911.2565	1/4" Bit hexagon 4,5 mm, 25 mm, S2
1 x	911.2566	1/4" Bit hexagon 7 mm, 25 mm, S2
1 x	911.2567	1/4" Bit slot, 25 mm, 2 mm
1 x	911.2568	1/4" Bit slot, 25 mm, 2,5 mm
1 x	911.2569	1/4" Bit slot, 25 mm, 3,5 mm
1 x	911.2570	1/4" Bit for security screws, 50 mm, 4 mm
1 x	911.2571	1/4" Bit for security screws, 50 mm, 6 mm
1 x	911.2572	1/4" Bit for security screws, 50 mm, 8 mm
1 x	911.2573	1/4" Bit for security screws, 50 mm, 10 mm
1 x	911.2574	1/4" Bit Torq-Set®, 50 mm, #6
1 x	911.2575	1/4" Bit Torq-Set®, 50 mm, #8
1 x	911.2576	1/4" Bit Torq-Set®, 50 mm, #10
1 x	911.2577	1/4" Bit TRIWING, 50 mm, #1
1 x	911.2578	1/4" Bit TRIWING, 50 mm, #2
1 x	911.2579	1/4" Bit TRIWING, 50 mm, #3
1 x	911.2580	1/4" Bit TRIWING, 50 mm, #4
1 x	911.2581	1/4" Bit PH, 25 mm, PH4
1 x	911.2582	1/4" Bit PZ, 25 mm, PZ4
1 x	911.2779	1/4" Bit Torx tamperproof, 50 mm, TB10
1 x	911.2782	1/4" Bit Torx tamperproof, 50 mm, TB15
1 x	911.2785	1/4" Bit Torx tamperproof, 50 mm, TB20
1 x	911.2788	1/4" Bit Torx tamperproof, 50 mm, TB25
1 x	911.2791	1/4" Bit Torx tamperproof, 50 mm, TB27
1 x	911.2794	1/4" Bit Torx tamperproof, 50 mm, TB30

AMT	ITEM NO.	DESCRIPTION
1 x	911.2797	1/4" Bit Torx tamperproof, 50 mm, TB40
1 x	911.2806	1/4" Bit hexagon, 50 mm, 2,5 mm
1 x	911.2809	1/4" Bit hexagon, 50 mm, 3 mm
1 x	911.2812	1/4" Bit hexagon, 50 mm, 4 mm
1 x	911.2815	1/4" Bit hexagon, 50 mm, 5 mm
1 x	911.2821	1/4" Bit hexagon, 50 mm, 6 mm
1 x	911.2901	1/4" Bit Torq-Set®, 25 mm, #6
1 x	911.2904	1/4" Bit Torq-Set®, 25 mm, #8
1 x	911.2907	1/4" Bit Torq-Set®, 25 mm, #10
1 x	911.2910	1/4" Bit for security screws, 4 mm
1 x	911.2913	1/4" Bit for security screws, 6 mm
1 x	911.2916	1/4" Bit for security screws, 8 mm
1 x	911.2919	1/4" Bit for security screws, 10 mm
1 x	911.2922	1/4" Bit TRIWING, 25 mm, #4
1 x	911.2925	1/4" Bit TRIWING, 25 mm, #6
1 x	911.2928	1/4" Bit TRIWING, 25 mm, #8
1 x	911.2931	1/4" Bit TRIWING, 25 mm, #10
1 x	911.2934	1/4" Bit hexagon tamperproof, 25 mm, 2 mm
1 x	911.2937	1/4" Bit hexagon tamperproof, 25 mm, 2,5 mm
1 x	911.2940	1/4" Bit hexagon tamperproof, 25 mm, 3 mm
1 x	911.2943	1/4" Bit hexagon tamperproof, 25 mm, 4 mm
1 x	911.2946	1/4" Bit hexagon tamperproof, 25 mm, 5 mm
1 x	911.2949	1/4" Bit hexagon tamperproof, 25 mm, 6 mm
1 x	911.2952	1/4" Bit hexagon tamperproof, 25 mm, 1/8"
1 x	911.2955	1/4" Bit hexagon tamperproof, 25 mm, 3/32"
1 x	911.2958	1/4" Bit hexagon tamperproof, 25 mm, 5/32"
1 x	911.2961	1/4" Bit hexagon tamperproof, 25 mm, 5/64"
1 x	911.2964	1/4" Bit hexagon tamperproof, 25 mm, 7/64"
1 x	911.2967	1/4" Bit hexagon tamperproof, 25 mm, 9/64"
1 x	911.2985	1/4" S2 CLUTCH-TYPE-BIT #1, 25 mm
1 x	911.2988	1/4" S2 CLUTCH-TYPE-BIT #2, 25 mm
1 x	911.2991	1/4" S2 CLUTCH-TYPE-BIT #3, 25 mm
1 x	911.3001	1/4" S2 SQUARE-BIT #0, 25 mm NICKEL PLATED
1 x	911.3004	1/4" square bit #1, 25 mm, S2
1 x	911.3007	1/4" square bit #2, 25 mm, S2
1 x	911.3010	1/4" square bit #3, 25 mm, S2
1 x	911.3016	1/4" Bit hexagon 1/16", 25 mm, S2
1 x	911.3019	1/4" Bit hexagon 5/64", 25 mm, S2
1 x	911.3022	1/4" Bit hexagon 3/32", 25 mm, S2

AMT	ITEM NO.	DESCRIPTION
1 x	911.3025	1/4" Bit hexagon 7/64", 25 mm, S2
1 x	911.3028	1/4" Bit hexagon 1/8", 25 mm, S2
1 x	911.3031	1/4" Bit hexagon 9/64", 25 mm, S2
1 x	911.3034	1/4" Bit hexagon 5/32", 25 mm, S2
1 x	911.3037	1/4" Bit hexagon 3/16", 25 mm, S2
1 x	911.3040	1/4" Bit hexagon 7/32", 25 mm, S2
1 x	911.3043	1/4" Bit hexagon 1/4", 25 mm, S2
1 x	911.3046	Bit PH, 25 mm, PH0
1 x	911.3049	1/4" Bit PZ, 25 mm, PZ0
1 x	911.3055	1/4" S2 TORX-BIT T5, 25 mm
1 x	911.3058	1/4" Bit Torx, 25 mm, T6
1 x	911.3061	1/4" Bit PH, 25 mm, PH00
1 x	911.3064	1/4" Bit PZ, 25 mm, PZ00
1 x	911.3101	1/4" Bit tamperproof five star, TS10
1 x	911.3102	1/4" Bit tamperproof five star, TS15
1 x	911.3103	1/4" Bit tamperproof five star, TS20
1 x	911.3104	1/4" Bit tamperproof five star, TS25
1 x	911.3105	1/4" Bit tamperproof five star, TS27
1 x	911.3106	1/4" Bit tamperproof five star, TS30
1 x	911.3107	1/4" Bit tamperproof five star, TS40
1 x	911.3122	10 mm Bit tamperproof five star, TS45
1 x	911.3123	10 mm Bit tamperproof five star, TS50
1 x	911.7502	1/4" Bit Torx tamperproof, 75 mm, TB10
1 x	911.7503	1/4" Bit Torx tamperproof, 75 mm, TB15
1 x	911.7504	1/4" Bit Torx tamperproof, 75 mm, TB20
1 x	911.7505	1/4" Bit Torx tamperproof, 75 mm, TB25
1 x	911.7506	1/4" Bit Torx tamperproof, 75 mm, TB27
1 x	911.7507	1/4" Bit Torx tamperproof, 75 mm, TB30
1 x	911.7509	1/4" Bit Torx tamperproof, 75 mm, TB40
1 x	911.7527	1/4" Bit, 75 mm, PZ1
1 x	911.7528	1/4" Bit, 75 mm, PZ2
1 x	911.7529	1/4" Bit, 75 mm, PZ3
1 x	911.7530	1/4" Bit, 75 mm, PH1
1 x	911.7531	1/4" Bit, 75 mm, PH2
1 x	911.7539	1/4" Bit, 75 mm, PH3
1 x	911.7559	1/4" Bit hexagon, 75 mm, 2,5 mm
1 x	911.7560	1/4" Bit hexagon, 75 mm, 3 mm
1 x	911.7561	1/4" Bit hexagon, 75 mm, 4 mm
1 x	911.7562	1/4" Bit hexagon, 75 mm, 5 mm
1 x	911.7563	1/4" Bit hexagon, 75 mm, 6 mm

Screwdriver set, 29 pcs, 1/1 system insert

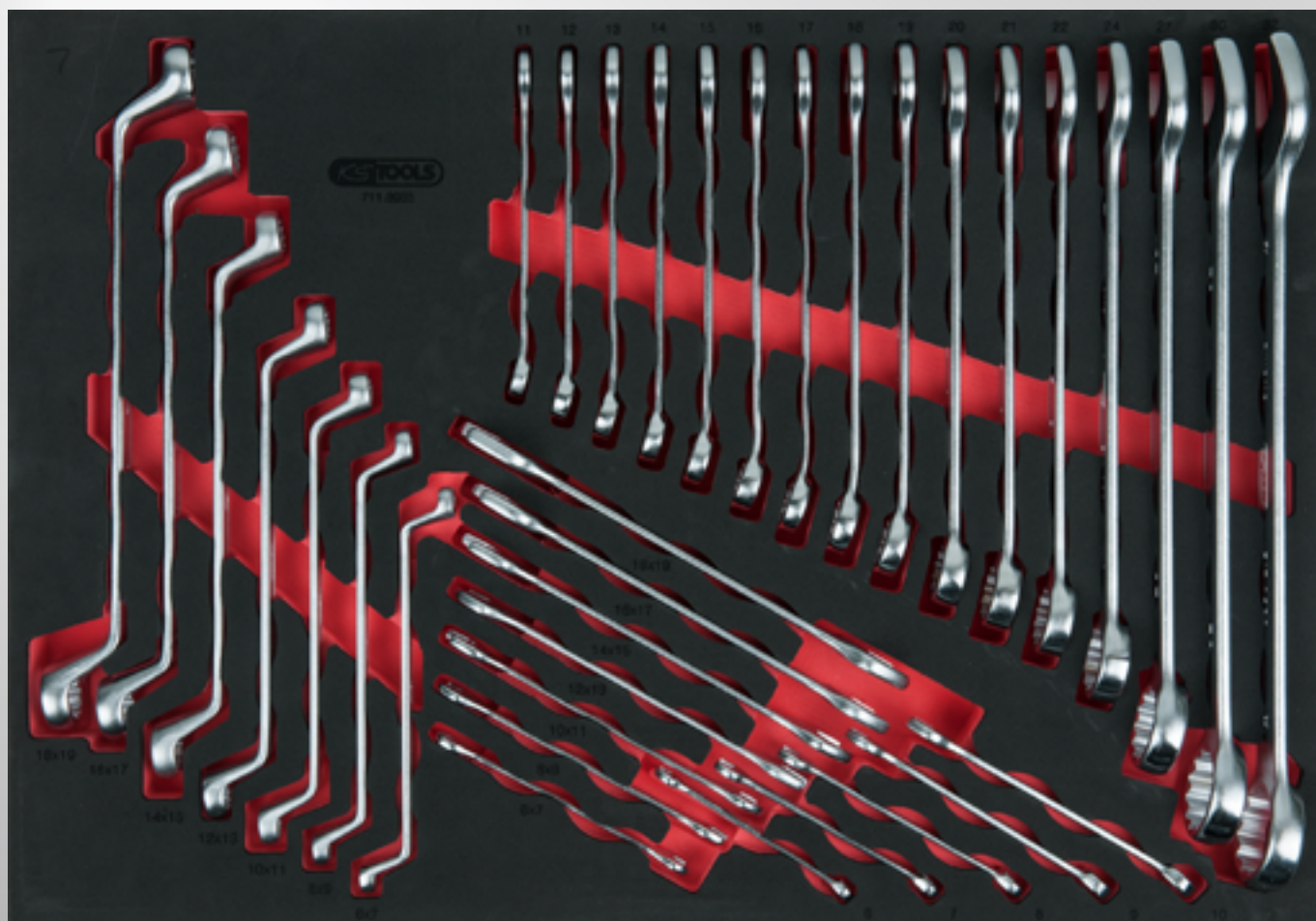


AMT	ITEM NO.	DESCRIPTION
1 x	151.2100	3 in 1 Ball ended hexagon key wrench set, 8 pcs long
1 x	159.1001	ERGOTORQUEplus screwdriver for slotted screws, 6 mm, stubby
1 x	159.1002	ERGOTORQUEplus screwdriver for slotted screws, 3 mm, 155 mm
1 x	159.1003	ERGOTORQUEplus screwdriver for slotted screws, 4 mm, 155 mm
1 x	159.1005	ERGOTORQUEplus screwdriver for slotted screws, 5,5 mm, 205 mm
1 x	159.1008	ERGOTORQUEplus screwdriver for slotted screws, 6,5 mm, 230 mm
1 x	159.1010	ERGOTORQUEplus screwdriver for slotted screws, 8 mm, 265 mm
1 x	159.1012	ERGOTORQUEplus screwdriver for slotted screws, 10 mm, 315 mm

AMT	ITEM NO.	DESCRIPTION
1 x	159.1013	ERGOTORQUEplus screwdriver for slotted screws, 10 mm, 365 mm
1 x	159.1020	ERGOTORQUEplus screwdriver for screws PH, PH1, 180 mm
1 x	159.1021	ERGOTORQUEplus screwdriver for screws PH, PH2, 205 mm
1 x	159.1024	ERGOTORQUEplus screwdriver for screws PH, PH3, 265 mm
1 x	159.1026	ERGOTORQUEplus screwdriver for screws PH, PH2, stubby
1 x	159.1050	ERGOTORQUEplus screwdriver for Torx screws, tamperproof, TB8
1 x	159.1051	ERGOTORQUEplus screwdriver for Torx screws, tamperproof, TB9
1 x	159.1052	ERGOTORQUEplus screwdriver for Torx screws, tamperproof, TB10

AMT	ITEM NO.	DESCRIPTION
1 x	159.1053	ERGOTORQUEplus screwdriver for Torx screws, tamperproof, TB15
1 x	159.1054	ERGOTORQUEplus screwdriver for Torx screws, tamperproof, TB20
1 x	159.1055	ERGOTORQUEplus screwdriver for Torx screws, tamperproof, TB25
1 x	159.1056	ERGOTORQUEplus screwdriver for Torx screws, tamperproof, TB27
1 x	159.1057	ERGOTORQUEplus screwdriver for Torx screws, tamperproof, TB30
1 x	159.1058	ERGOTORQUEplus screwdriver for Torx screws, tamperproof, TB40

Wrench set, 35 pcs, 1/1 system insert



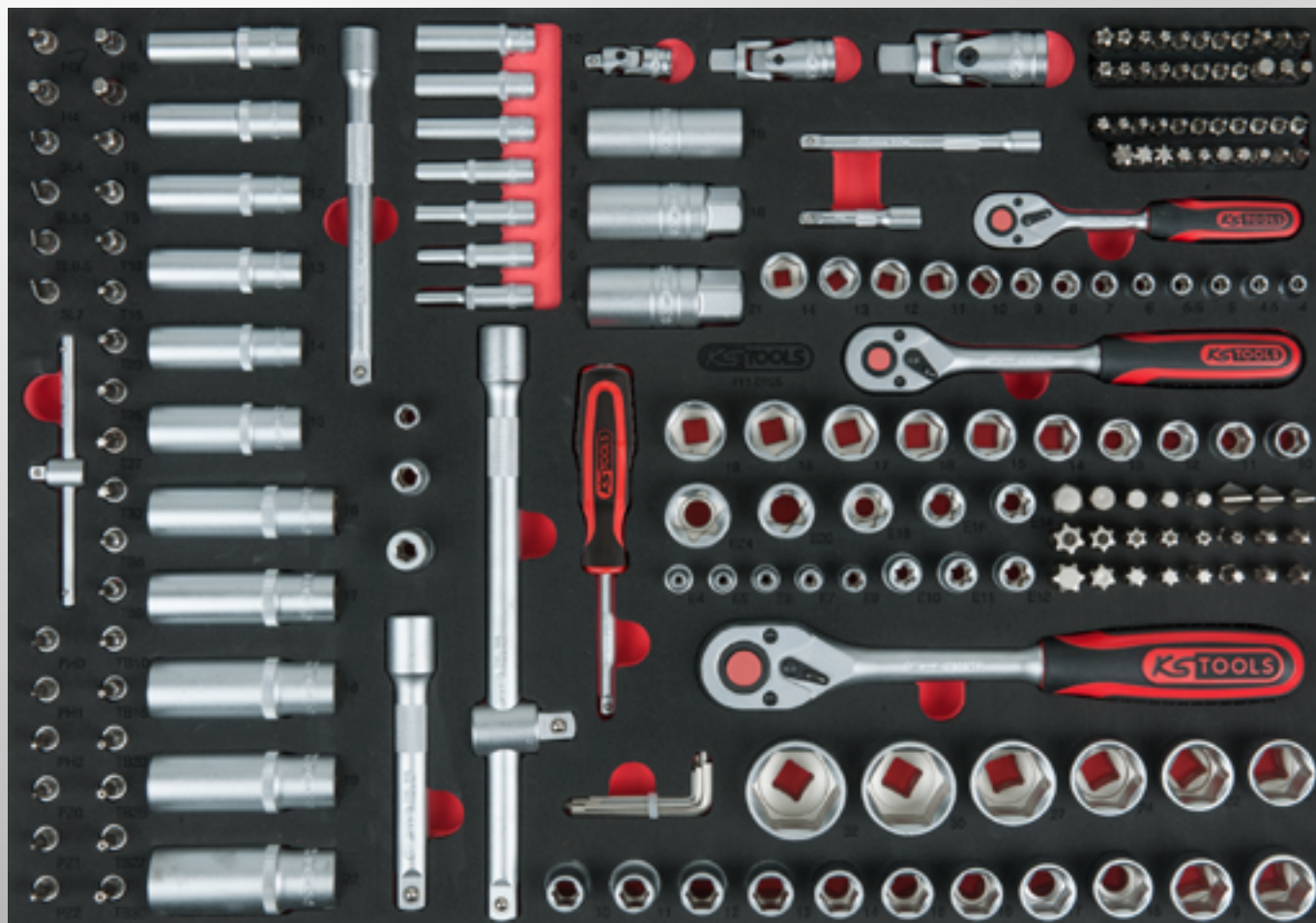
AMT	ITEM NO.	DESCRIPTION
1 x	517.0606	Combination spanners, offset, 6 mm
1 x	517.0607	Combination spanners, offset, 7 mm
1 x	517.0608	Combination spanners, offset, 8 mm
1 x	517.0609	Combination spanners, offset, 9 mm
1 x	517.0610	Combination spanners, offset, 10 mm
1 x	517.0611	Combination spanners, offset, 11 mm
1 x	517.0612	Combination spanners, offset, 12 mm
1 x	517.0613	Combination spanners, offset, 13 mm
1 x	517.0614	Combination spanners, offset, 14 mm
1 x	517.0615	Combination spanners, offset, 15 mm
1 x	517.0616	Combination spanners, offset, 16 mm
1 x	517.0617	Combination spanners, offset, 17 mm
1 x	517.0618	Combination spanners, offset, 18 mm
1 x	517.0619	Combination spanners, offset, 19 mm
1 x	517.0620	Combination spanners, offset, 20 mm

AMT	ITEM NO.	DESCRIPTION
1 x	517.0621	Combination spanners, offset, 21 mm
1 x	517.0622	Combination spanners, offset, 22 mm
1 x	517.0624	Combination spanners, offset, 24 mm
1 x	517.0627	Combination spanners, offset, 27 mm
1 x	517.0630	Combination spanners, offset, 30 mm
1 x	517.0632	Combination spanners, offset, 32 mm
1 x	517.0701	Double open ended spanners, 6x7 mm
1 x	517.0702	Double open ended spanners, 8x9 mm
1 x	517.0704	Double open ended spanners, 10x11 mm
1 x	517.0707	Double open ended spanners, 12x13 mm
1 x	517.0709	Double open ended spanners, 14x15 mm
1 x	517.0710	Double open ended spanners, 16x17 mm
1 x	517.0712	Double open ended spanners, 18x19 mm
1 x	517.0801	Double ring spanner, offset, 6x7 mm
1 x	517.0802	Double ring spanner, offset, 8x9 mm

AMT	ITEM NO.	DESCRIPTION
1 x	517.0804	Double ring spanner, offset, 10x11 mm
1 x	517.0807	Double ring spanner, offset, 12x13 mm
1 x	517.0809	Double ring spanner, offset, 14x15 mm
1 x	517.0810	Double ring spanner, offset, 16x17 mm
1 x	517.0812	Double ring spanner, offset, 18x19 mm

1/4"+3/8"+1/2" socket set

195 pcs, 1/1 system insert



AMT	ITEM NO.	DESCRIPTION
1 x	151.2370	Hexagon key wrench set, 7 pcs, short
1 x	911.1202	Extensions, 1/2", 125 mm
1 x	911.1203	Extensions, 1/2", 250 mm
1 x	911.1205	1/2" Socket for spark plugs, 16 mm
1 x	911.1206	1/2" Socket for spark plugs, 21 mm
1 x	911.1207	3/8" Sliding adaptor, 3/8"Fx1/2"M
1 x	911.1250	1/2" Universal joint
1 x	911.1401	1/4" Bit socket, PZ1
1 x	911.1402	1/4" Bit socket, PZ2
1 x	911.1415	1/4" Bit socket, PH1
1 x	911.1416	1/4" Bit socket, PH2
1 x	911.1418	1/4" Bit socket slot, 4 mm
1 x	911.1419	1/4" Bit socket slot, 5,5 mm
1 x	911.1420	1/4" Bit socket slot, 7 mm
1 x	911.1423	1/4" Extension with hexagon drive, 50 mm
1 x	911.1424	1/4" Extension with hexagon drive, 100 mm
1 x	911.1425	Sliding T-bar, 1/4", 110 mm
1 x	911.1434	1/4" Square drive screwdriver, 150 mm

AMT	ITEM NO.	DESCRIPTION
1 x	911.1436	1/4" Bit socket hexagon, 3 mm
1 x	911.1437	1/4" Bit socket hexagon, 4 mm
1 x	911.1438	1/4" Bit socket hexagon, 5 mm
1 x	911.1439	1/4" Bit socket hexagon, 6 mm
1 x	911.1442	1/4" Bit socket Torx, T10
1 x	911.1443	1/4" Bit socket Torx, T15
1 x	911.1444	1/4" Bit socket Torx, T20
1 x	911.1445	1/4" Bit socket Torx, T25
1 x	911.1446	1/4" Bit socket Torx, T30
1 x	911.1448	1/4" Bit socket Torx, T8
1 x	911.1449	1/4" Bit socket Torx, T27
1 x	911.1450	1/4" Universal joint
1 x	911.1461	1/4" Bit socket Torx tamperproof, TB8
1 x	911.1462	1/4" Bit socket Torx tamperproof, TB10
1 x	911.1463	1/4" Bit socket Torx tamperproof, TB15
1 x	911.1464	1/4" Bit socket Torx tamperproof, TB20
1 x	911.1465	1/4" Bit socket Torx tamperproof, TB25
1 x	911.1466	1/4" Bit socket Torx tamperproof, TB27

AMT	ITEM NO.	DESCRIPTION
1 x	911.1467	1/4" Bit socket Torx tamperproof, TB30
1 x	911.1478	1/4" Bit socket Torx, T9
1 x	911.1482	1/4" Bit socket, PH0
1 x	911.1483	1/4" Bit socket, PZ0
1 x	911.1485	1/4" Bit socket Torx tamperproof, TB9
1 x	911.2201	1/4" Bit PH, 25 mm, PH1
1 x	911.2204	1/4" Bit PH, 25 mm, PH2
1 x	911.2207	1/4" Bit PH, 25 mm, PH3
1 x	911.2219	1/4" Bit PZ, 25 mm, PZ1
1 x	911.2222	1/4" Bit PZ, 25 mm, PZ2
1 x	911.2258	1/4" Bit hexagon, 25 mm, 4 mm
1 x	911.2261	1/4" Bit hexagon, 25 mm, 5 mm
1 x	911.2264	1/4" Bit hexagon, 25 mm, 6 mm
1 x	911.2273	1/4" Bit Torx tamperproof, 25 mm, TB7
1 x	911.2282	1/4" Bit Torx tamperproof, 25 mm, TB10
1 x	911.2285	1/4" Bit Torx tamperproof, 25 mm, TB15
1 x	911.2288	1/4" Bit Torx tamperproof, 25 mm, TB20
1 x	911.2291	1/4" Bit Torx tamperproof, 25 mm, TB25



1/4"+3/8"+1/2" socket set

195 pcs, 1/1 system insert

AMT	ITEM NO.	DESCRIPTION
1 x	911.2294	1/4" Bit Torx tamperproof, 25 mm, TB27
1 x	911.2297	1/4" Bit Torx tamperproof, 25 mm, TB30
1 x	911.2300	1/4" Bit Torx tamperproof, 25 mm, TB40
1 x	911.2303	1/4" Bit Torx, 25 mm, T7
1 x	911.2306	1/4" Bit Torx, 25 mm, T8
1 x	911.2309	1/4" Bit Torx, 25 mm, T9
1 x	911.2312	1/4" Bit Torx, 25 mm, T10
1 x	911.2315	1/4" Bit Torx, 25 mm, T15
1 x	911.2318	1/4" Bit Torx, 25 mm, T20
1 x	911.2321	1/4" Bit Torx, 25 mm, T25
1 x	911.2324	1/4" Bit Torx, 25 mm, T27
1 x	911.2327	1/4" Bit Torx, 25 mm, T30
1 x	911.2334	1/4" Bit Torx, 25 mm, T6
1 x	911.2344	1/4" Bit spline XZN, 25 mm, M5
1 x	911.2347	1/4" Bit spline XZN, 25 mm, M6
1 x	911.2350	1/4" Bit spline XZN, 25 mm, M8
1 x	911.3101	1/4" Bit tamperproof five star, TS10
1 x	911.3102	1/4" Bit tamperproof five star, TS15
1 x	911.3103	1/4" Bit tamperproof five star, TS20
1 x	911.3104	1/4" Bit tamperproof five star, TS25
1 x	911.3105	1/4" Bit tamperproof five star, TS27
1 x	911.3106	1/4" Bit tamperproof five star, TS30
1 x	911.3107	1/4" Bit tamperproof five star, TS40
1 x	911.3108	1/4" Bit tamperproof five star, TS45
1 x	911.3359	1/4" Bit Torx, 25 mm, T5
1 x	911.3691	5/16" Bit Torx, 30 mm, T30
1 x	911.3694	5/16" Bit Torx tamperproof, 30 mm, TB30
1 x	911.3802	3/8" Extension with knurling, 150 mm
1 x	911.3823	3/8" Spark plug socket, 18 mm
1 x	911.3850	3/8" Universal joint
1 x	911.4313	1/4" Torx E Socket, E4
1 x	911.4314	1/4" Torx E Socket, E5
1 x	911.4315	1/4" Torx E Socket, E6
1 x	911.4316	1/4" Torx E Socket, E7
1 x	911.4317	1/4" Torx E Socket, E8
1 x	911.4318	3/8" Torx E Socket, E10
1 x	911.4319	3/8" Torx E Socket, E11
1 x	911.4320	3/8" Torx E Socket, E12
1 x	911.4321	3/8" Torx E Socket, E14
1 x	911.4324	1/2" Torx E Socket, E20
1 x	911.4326	1/2" Torx E Socket, E24
1 x	911.4327	1/4" Bit adaptor socket with clamping ring
1 x	911.4331	3/8" Bit adaptor socket, 3/8" x 5/16", 28 mm
1 x	911.4343	3/8" Torx E Socket, E16
1 x	911.4344	3/8" Torx E Socket, E18
1 x	911.4351	1/2" Bit adaptor socket, 1/2" x 5/16", 38 mm
1 x	911.5123	5/16" Bit PZ, 30 mm, PZ3
1 x	911.5124	5/16" Bit PZ, 30 mm, PZ4
1 x	911.5126	5/16" Bit hexagon, 30 mm, 6 mm
1 x	911.5127	5/16" Bit hexagon, 30 mm, 7 mm
1 x	911.5128	5/16" Bit hexagon, 30 mm, 8 mm

AMT	ITEM NO.	DESCRIPTION
1 x	911.5129	5/16" Bit hexagon, 30 mm, 10 mm
1 x	911.5130	5/16" Bit hexagon, 30 mm, 12 mm
1 x	911.5134	5/16" Bit PH, 30 mm, PH3
1 x	911.5135	5/16" Bit PH, 30 mm, PH4
1 x	911.5136	5/16" Bit Torx tamperproof, 30 mm, TB40
1 x	911.5137	5/16" Bit Torx tamperproof, 30 mm, TB45
1 x	911.5138	5/16" Bit Torx tamperproof, 30 mm, TB50
1 x	911.5139	5/16" Bit Torx tamperproof, 30 mm, TB55
1 x	911.5140	5/16" Bit Torx tamperproof, 30 mm, TB60
1 x	911.5141	5/16" Bit slot, 30 mm, 8 mm
1 x	911.5142	5/16" Bit slot, 30 mm, 10 mm
1 x	911.5143	5/16" Bit slot, 30 mm, 12 mm
1 x	911.5144	5/16" Bit Torx, 30 mm, T40
1 x	911.5145	5/16" Bit Torx, 30 mm, T45
1 x	911.5146	5/16" Bit Torx, 30 mm, T50
1 x	911.5147	5/16" Bit Torx, 30 mm, T55
1 x	911.5148	5/16" Bit Torx, 30 mm, T60
1 x	911.5261	1/4" Bit RIBE, 25 mm, M5
1 x	911.5262	1/4" Bit RIBE, 25 mm, M6
1 x	911.5263	1/4" Bit RIBE, 25 mm, M7
1 x	911.5264	1/4" Bit RIBE, 25 mm, M8
1 x	911.5265	1/4" Bit RIBE, 25 mm, M9
1 x	914.1290	Reversible ratchet, 1/2", 72 teeth
1 x	914.1490	Reversible ratchet, 1/4", 72 teeth
1 x	914.3890	Reversible ratchet, 3/8", 72 teeth
1 x	917.1210	1/2" Hexagonal socket, 10 mm
1 x	917.1211	1/2" Hexagonal socket, 11 mm
1 x	917.1212	1/2" Hexagonal socket, 12 mm
1 x	917.1213	1/2" Hexagonal socket, 13 mm
1 x	917.1214	1/2" Hexagonal socket, 14 mm
1 x	917.1215	1/2" Hexagonal socket, 15 mm
1 x	917.1216	1/2" Hexagonal socket, 16 mm
1 x	917.1217	1/2" Hexagonal socket, 17 mm
1 x	917.1218	1/2" Hexagonal socket, 18 mm
1 x	917.1219	1/2" Hexagonal socket, 19 mm
1 x	917.1220	1/2" Hexagonal socket, 20 mm
1 x	917.1221	1/2" Hexagonal socket, 21 mm
1 x	917.1222	1/2" Hexagonal socket, 22 mm
1 x	917.1224	1/2" Hexagonal socket, 24 mm
1 x	917.1227	1/2" Hexagonal socket, 27 mm
1 x	917.1230	1/2" Hexagonal socket, 30 mm
1 x	917.1232	1/2" Hexagonal socket, 32 mm
1 x	917.1246	1/2" Hexagonal socket, deep, 16 mm
1 x	917.1247	1/2" Hexagonal socket, deep, 17 mm
1 x	917.1248	1/2" Hexagonal socket, deep, 18 mm
1 x	917.1249	1/2" Hexagonal socket, deep, 19 mm
1 x	917.1252	1/2" Hexagonal socket, deep, 22 mm
1 x	917.1404	1/4" Hexagonal socket, 4 mm
1 x	917.14045	1/4" Hexagonal socket, 4,5 mm
1 x	917.1405	1/4" Hexagonal socket, 5 mm
1 x	917.14055	1/4" Hexagonal socket, 5,5 mm

AMT	ITEM NO.	DESCRIPTION
1 x	917.1406	1/4" Hexagonal socket, 6 mm
1 x	917.1407	1/4" Hexagonal socket, 7 mm
1 x	917.1408	1/4" Hexagonal socket, 8 mm
1 x	917.1409	1/4" Hexagonal socket, 9 mm
1 x	917.1410	1/4" Hexagonal socket, 10 mm
1 x	917.1411	1/4" Hexagonal socket, 11 mm
1 x	917.1412	1/4" Hexagonal socket, 12 mm
1 x	917.1413	1/4" Hexagonal socket, 13 mm
1 x	917.1414	1/4" Hexagonal socket, 14 mm
1 x	917.1421	1/4" Bit socket slot, 6,5 mm
1 x	917.1426	1/4" Hexagonal socket, deep, 6 mm
1 x	917.1427	1/4" Hexagonal socket, deep, 7 mm
1 x	917.1428	1/4" Hexagonal socket, deep, 8 mm
1 x	917.1429	1/4" Hexagonal socket, deep, 9 mm
1 x	917.1430	1/4" Hexagonal socket, deep, 10 mm
1 x	917.1525	1/4" Hexagonal socket, deep, 4 mm
1 x	917.1527	1/4" Hexagonal socket, deep, 5 mm
1 x	917.3810	3/8" Hexagonal socket, 10 mm
1 x	917.3811	3/8" Hexagonal socket, 11 mm
1 x	917.3812	3/8" Hexagonal socket, 12 mm
1 x	917.3813	3/8" Hexagonal socket, 13 mm
1 x	917.3814	3/8" Hexagonal socket, 14 mm
1 x	917.3815	3/8" Hexagonal socket, 15 mm
1 x	917.3816	3/8" Hexagonal socket, 16 mm
1 x	917.3817	3/8" Hexagonal socket, 17 mm
1 x	917.3818	3/8" Hexagonal socket, 18 mm
1 x	917.3819	3/8" Hexagonal socket, 19 mm
1 x	917.3830	3/8" Hexagonal socket, deep, 10 mm
1 x	917.3831	3/8" Hexagonal socket, deep, 11 mm
1 x	917.3832	3/8" Hexagonal socket, deep, 12 mm
1 x	917.3833	3/8" Hexagonal socket, deep, 13 mm
1 x	917.3834	3/8" Hexagonal socket, deep, 14 mm
1 x	917.3835	3/8" Hexagonal socket, deep, 15 mm

711.1012



Pliers set, 12 pcs, 1/1 system insert



AMT	ITEM NO.	DESCRIPTION
1 x	115.1013	ERGOTORQUE diagonal side cutter, 180 mm
1 x	115.1019	ERGOTORQUE bent nose pliers serrated, 210 mm
1 x	115.1021	ERGOTORQUE combination pliers, 180 mm
1 x	115.1024	ERGOTORQUE long nose pliers serrated cutter, 200 mm

AMT	ITEM NO.	DESCRIPTION
1 x	115.1031	Locking pliers, 50 mm, 140 mm
1 x	115.1033	Self grip wrench, 220 mm
1 x	115.1035	Self grip wrench long nose, 210 mm
1 x	115.2001	Water pump pliers, 240 mm, 10"
1 x	500.1026	Circlip pliers for external circlips, angled, 160 mm

AMT	ITEM NO.	DESCRIPTION
1 x	500.1029	Circlip pliers for external circlips, 160mm
1 x	500.1032	Circlip pliers for internal circlips, angled, 160 mm
1 x	500.1035	Circlip pliers for internal circlips, 160 mm

711.0018



File, chisel and hammer set, 18 pcs, 1/1 system insert



AMT	ITEM NO.	DESCRIPTION
1 x	140.5252	Recoil free soft faced hammer, 400 g
1 x	142.1330	Fitters hammer, hickory handle, 300 g
1 x	142.5100	Club hammer with hickory handle, 1000 g
1 x	156.0175	Centre punch, mirror polished, octagonal shaft, Ø 5 mm
1 x	156.0231	Pin punch,cylindrical shaft, 3 mm

AMT	ITEM NO.	DESCRIPTION
2 x	156.0232	Pin punch,cylindrical shaft, 4 mm
1 x	156.0233	Pin punch,cylindrical shaft, 5 mm
1 x	156.0234	Pin punch,cylindrical shaft, 6 mm
1 x	156.0235	Pin punch,cylindrical shaft, Ø 8 mm
1 x	156.0241	Flat chisel, octagon, 20mm
1 x	156.0242	Cross chisel, octagon, 7 mm

AMT	ITEM NO.	DESCRIPTION
1 x	156.0243	Centre punch,octagon 10 mm
1 x	156.0244	Punch, Ø 5 mm, conical
1 x	157.0005	Flat file, form B, cut2, 200 mm
1 x	157.0105	Halfround file, form E, cut2, 20 mm
1 x	157.0205	Round file, form F, cut2, 200 mm
1 x	157.0405	Tri-bastard file, form C, cut2, 200 mm

1/4" Bit set, 101 pcs, 1/3 system insert



AMT	ITEM NO.	DESCRIPTION
1 x	514.1102	Bit holder, magnetic, 1/4", 50 mm
1 x	514.1103	Bit holder, magnetic, 1/4", 100 mm
1 x	514.1112	1/4" Bit holder, flex+locking ring, 190 mm
1 x	911.1452	Square drive adaptor, for bit ratchet 1/4"
1 x	911.2201	1/4" Bit PH, 25 mm, PH1
1 x	911.2204	1/4" Bit PH, 25 mm, PH2
1 x	911.2207	1/4" Bit PH, 25 mm, PH3
1 x	911.2219	1/4" Bit PZ, 25 mm, PZ1
1 x	911.2222	1/4" Bit PZ, 25 mm, PZ2
1 x	911.2225	1/4" Bit PZ, 25 mm, PZ3
1 x	911.2237	1/4" Bit slot, 25 mm, 4 mm
1 x	911.2240	1/4" Bit slot, 25 mm, 4,5 mm
1 x	911.2243	1/4" Bit slot, 25 mm, 5,5 mm
1 x	911.2246	1/4" Bit slot, 25 mm, 6 mm
1 x	911.2249	1/4" Bit slot, 25 mm, 6,5 mm
1 x	911.2252	1/4" Bit slot, 25 mm, 8 mm
1 x	911.2255	1/4" Bit hexagon, 25 mm, 3 mm
1 x	911.2258	1/4" Bit hexagon, 25 mm, 4 mm
1 x	911.2261	1/4" Bit hexagon, 25 mm, 5 mm
1 x	911.2264	1/4" Bit hexagon, 25 mm, 6 mm

AMT	ITEM NO.	DESCRIPTION
1 x	911.2270	1/4" Bit hexagon 8 mm, 25 mm, S2
1 x	911.2276	1/4" Bit Torx tamperproof, 25 mm, TB8
1 x	911.2282	1/4" Bit Torx tamperproof, 25 mm, TB10
1 x	911.2285	1/4" Bit Torx tamperproof, 25 mm, TB15
1 x	911.2288	1/4" Bit Torx tamperproof, 25 mm, TB20
1 x	911.2291	1/4" Bit Torx tamperproof, 25 mm, TB25
1 x	911.2294	1/4" Bit Torx tamperproof, 25 mm, TB27
1 x	911.2297	1/4" Bit Torx tamperproof, 25 mm, TB30
1 x	911.2300	1/4" Bit Torx tamperproof, 25 mm, TB40
1 x	911.2306	1/4" Bit Torx, 25 mm, T8
1 x	911.2312	1/4" Bit Torx, 25 mm, T10
1 x	911.2315	1/4" Bit Torx, 25 mm, T15
1 x	911.2318	1/4" Bit Torx, 25 mm, T20
1 x	911.2321	1/4" Bit Torx, 25 mm, T25
1 x	911.2324	1/4" Bit Torx, 25 mm, T27
1 x	911.2327	1/4" Bit Torx, 25 mm, T30
1 x	911.2330	1/4" Bit Torx, 25 mm, T40
1 x	911.2344	1/4" Bit spline XZN, 25 mm, M5
1 x	911.2347	1/4" Bit spline XZN, 25 mm, M6
1 x	911.2350	1/4" Bit spline XZN, 25 mm, M8
1 x	911.2359	1/4" Bit slot 7 mm, 25 mm, S2
1 x	911.2362	1/4" Bit hexagon 5,5 mm, 25 mm, S2
1 x	911.2368	1/4" Bit Torx, 25 mm, T35
1 x	911.2371	1/4" Bit Torx, 25 mm, T45
1 x	911.2377	1/4" Bit hexagon 2 mm, 25 mm
1 x	911.2383	1/4" Bit hexagon 1,5 mm, 25 mm, S2
1 x	911.2386	1/4" Bit hexagon 2,5 mm, 25 mm
1 x	911.2389	1/4" Bit slot 3 mm, 25 mm, S2
1 x	911.2392	1/4" Bit slot 5 mm, 25 mm, S2
1 x	911.2901	1/4" Bit Torq-Set®, 25 mm, #6
1 x	911.2904	1/4" Bit Torq-Set®, 25 mm, #8
1 x	911.2907	1/4" Bit Torq-Set®, 25 mm, #10
1 x	911.2910	1/4" Bit for security screws, 4 mm
1 x	911.2913	1/4" Bit for security screws, 6 mm
1 x	911.2916	1/4" Bit for security screws, 8 mm
1 x	911.2919	1/4" Bit for security screws, 10 mm
1 x	911.2922	1/4" Bit TRIWING, 25 mm, #4
1 x	911.2925	1/4" Bit TRIWING, 25 mm, #6
1 x	911.2928	1/4" Bit TRIWING, 25 mm, #8
1 x	911.2931	1/4" Bit TRIWING, 25 mm, #10
1 x	911.2934	1/4" Bit hexagon tamperproof, 25 mm, 2 mm
1 x	911.2937	1/4" Bit hexagon tamperproof, 25 mm, 2,5 mm
1 x	911.2940	1/4" Bit hexagon tamperproof, 25 mm, 3 mm
1 x	911.2943	1/4" Bit hexagon tamperproof, 25 mm, 4 mm
1 x	911.2946	1/4" Bit hexagon tamperproof, 25 mm, 5 mm
1 x	911.2949	1/4" Bit hexagon tamperproof, 25 mm, 6 mm
1 x	911.2952	1/4" Bit hexagon tamperproof, 25 mm, 1/8"
1 x	911.2955	1/4" Bit hexagon tamperproof, 25 mm, 3/32"
1 x	911.2958	1/4" Bit hexagon tamperproof, 25 mm, 5/32"
1 x	911.2961	1/4" Bit hexagon tamperproof, 25 mm, 5/64"
1 x	911.2964	1/4" Bit hexagon tamperproof, 25 mm, 7/64"
1 x	911.2967	1/4" Bit hexagon tamperproof, 25 mm, 9/64"

AMT	ITEM NO.	DESCRIPTION
1 x	911.2985	1/4" S2 CLUTCH-TYPE-BIT #1, 25 mm
1 x	911.2988	1/4" S2 CLUTCH-TYPE-BIT #2, 25 mm
1 x	911.2991	1/4" S2 CLUTCH-TYPE-BIT #3, 25 mm
1 x	911.3001	1/4" S2 SQUARE-BIT #0, 25 mm NICKEL PLATED
1 x	911.3004	1/4" square bit #1, 25 mm, S2
1 x	911.3007	1/4" square bit #2, 25 mm, S2
1 x	911.3010	1/4" square bit #3, 25 mm, S2
1 x	911.3046	Bit PH, 25 mm, PH0
1 x	911.3049	1/4" Bit PZ, 25 mm, PZ0
1 x	911.7503	1/4" Bit Torx tamperproof, 75 mm, TB15
1 x	911.7504	1/4" Bit Torx tamperproof, 75 mm, TB20
1 x	911.7507	1/4" Bit Torx tamperproof, 75 mm, TB30
1 x	911.7513	1/4" Bit hexagon tamperproof, 4 mm
1 x	911.7514	1/4" Bit hexagon tamperproof, 5 mm
1 x	911.7515	1/4" Bit hexagon tamperproof, 6 mm
1 x	911.7516	1/4" Bit Torq-Set®, 75 mm, #6
1 x	911.7517	1/4" Bit Torq-Set®, 75 mm, #8
1 x	911.7518	1/4" Bit Torq-Set®, 75 mm, #10
1 x	911.7519	1/4" Bit TRIWING, 75 mm, #4
1 x	911.7520	1/4" Bit TRIWING, 75 mm, #6
1 x	911.7521	1/4" Bit TRIWING, 75 mm, #8
1 x	911.7522	1/4" Bit TRIWING, 75 mm, #10
1 x	911.7523	1/4" Bit for security screws, 75 mm, 4 mm
1 x	911.7524	1/4" Bit for security screws, 75 mm, 6 mm
1 x	911.7525	1/4" Bit for security screws, 75 mm, 8 mm
1 x	911.7526	1/4" Bit for security screws, 75 mm, 10 mm
1 x	918.1421	1/4" CHROMEplus Bit adaptor socket
1 x	918.1595	1/4" Bit ratchet reversible with adaptor for sockets

712.0001



Uni inlay, empty

2/3 system insert, 2/3 system insert



897.7598



ECO *Line*

with **598** Premium tools



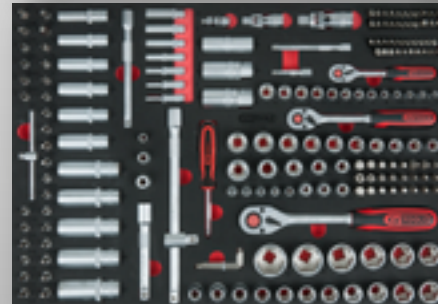
911.2008



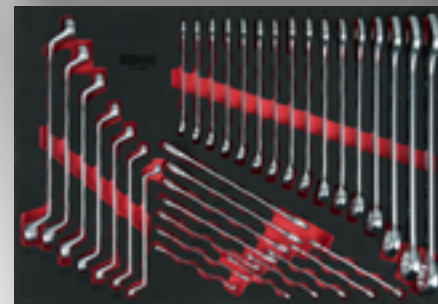
1 711.1029



2 711.0195



3 711.3035

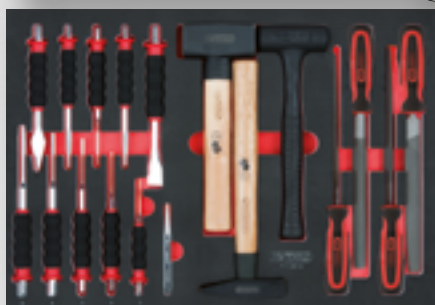


1.049,-* €

4 711.1012



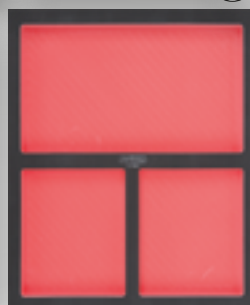
6 711.0018



5 713.0101



712.0001



* This is an limited special price offer - only until stocks last.
All prices plus VAT. With the publication of this brochure all previous prices lose their validity.
Sale only to specialist dealers. Subject to misprints, mistakes and technical changes. Prices valid until March 31, 2022

826.7598



RACING Line

with **598** Premium tools



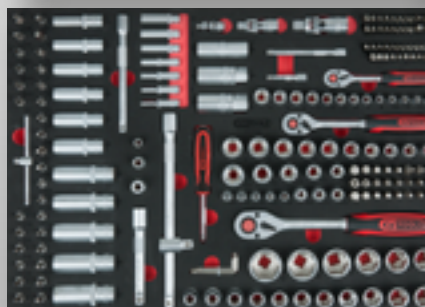
911.2008



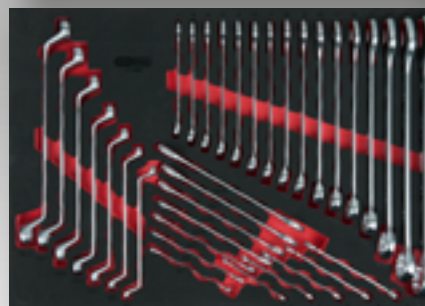
1 711.1029



2 711.0195



3 711.3035



4 711.1012



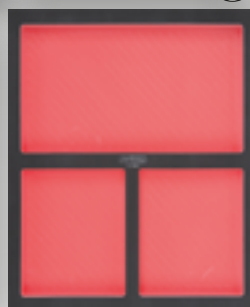
6 711.0018



5 713.0101



712.0001



1.099,-* €

* This is an limited special price offer - only until stocks last.
All prices plus VAT. With the publication of this brochure all previous prices lose their validity.
Sale only to specialist dealers. Subject to misprints, mistakes and technical changes. Prices valid until March 31, 2022