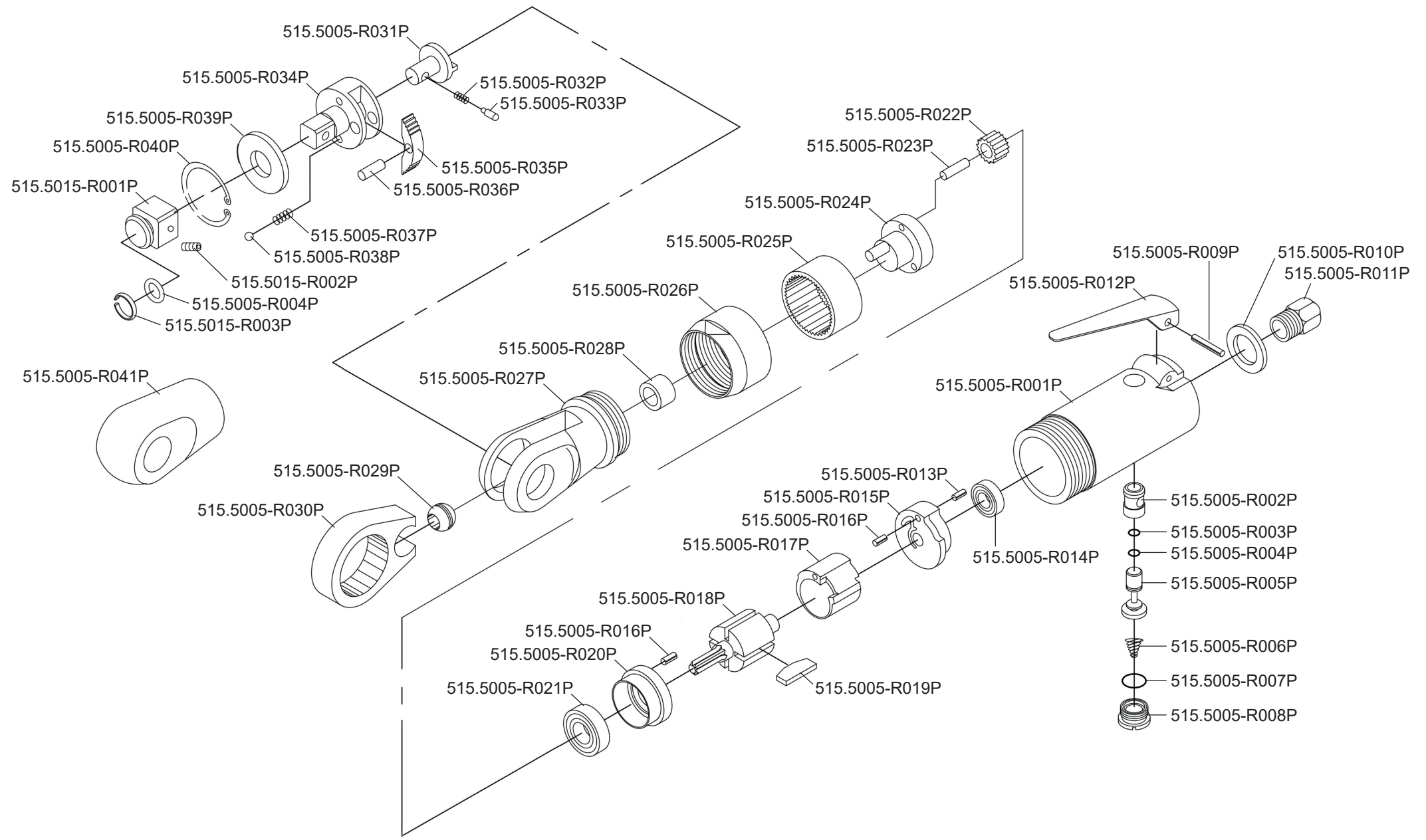


Art. 515.5015



**Art. 515.5015**

Art.-Nr.	Description	Beschreibung	Menge Qty.
515.5005-R001P	Motor Housing	Motorgehäuse	1
515.5005-R002P	Valve Bushing	Ventilbuchse	1
515.5005-R003P	O-Ring	O-Ring	1
515.5005-R004P	O-Ring	O-Ring	1
515.5005-R004P	O-Ring	O-Ring	1
515.5005-R005P	Throttle Valve	Drosselklappe	1
515.5005-R006P	Valve Spring	Ventilfeder	1
515.5005-R007P	O-Ring	O-Ring	1
515.5005-R008P	Valve Screw	Ventilschraube	1
515.5005-R009P	Spring Pin	Splint für Gashebel	1
515.5005-R010P	Exhaust Sleeve	Abgashülse	1
515.5005-R011P	Inlet Bushing	Einlassbuchse	1
515.5005-R012P	Throttle Lever	Gashebel	1
515.5005-R013P	Spring Pin	Splint	1
515.5005-R014P	Ball Bearing	Kugellager	1
515.5005-R015P	Rear End Plate	Hintere Abdeckung	1
515.5005-R016P	Spring Pin	Spannstift	2
515.5005-R017P	Cylinder	Zylinder	1
515.5005-R018P	Rotor	Rotor	1
515.5005-R019P	Rotor Blade	Rotorblatt	4
515.5005-R020P	Front End Plate	Vordere Abdeckung	1
515.5005-R021P	Ball Bearing	Kugellager	1
515.5005-R022P	Planet Gear	Zahnrad für Planetengetriebe	3

Art.-Nr.	Description	Beschreibung	Menge Qty.
515.5005-R023P	Planet Pin	Pin für Zahnrad	3
515.5005-R024P	Gear Cage	Getriebekorb	1
515.5005-R025P	Internal Gear	Getriebering Innenverzahnt	1
515.5005-R026P	Clamp Nut	Spannmutter	1
515.5005-R027P	Ratchet Housing	Ratschengehäuse	1
515.5005-R028P	Needle Bearing	Lager	1
515.5005-R029P	Drive Busing	Antriebsbuchse	1
515.5005-R030P	Ratchet Yoke	Ratschenkopf	1
515.5005-R031P	Reverse Button	Umkehrschalter	1
515.5005-R032P	Reverse Spring	Feder	1
515.5005-R033P	Reverse Pin	Bolzen	1
515.5005-R034P	1/4" Ratchet Anvil	1/4" Antriebskopf	1
515.5005-R035P	Ratchet Pawl	Ratschenklinke	1
515.5005-R036P	Pawl Pin	Bolzen	1
515.5005-R037P	Pawl Spring	Feder	2
515.5005-R038P	Thrust Ball	Schubkugel	2
515.5005-R039P	Trust Washer	Druckscheibe	1
515.5005-R040P	Retaining Ring	Sicherungsring	1
515.5005-R041P	Ratchet Housing Cover	Ratschengehäusedeckel	1
515.5015-R001P	Anvil Cap	1/2" Adapter	1
515.5015-R002P	Set Screw	Stellschraube	1
515.5015-R003P	Socket Reatiner	Buchsenhalter	1