

24-0836/PA836/10836
24-0836/PA836/10836

sostituita dalla
replaced by

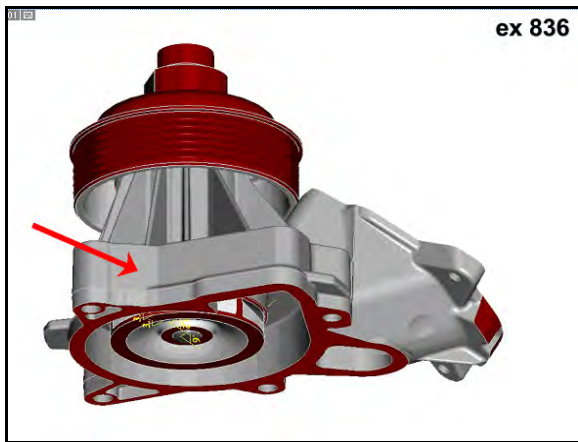
24-1046/PA1046/101046
24-1046/PA1046/101046

Nelle zone indicate (vedi frecce rosse) i due riferimenti hanno differenti forme del corpo e di conseguenza della guarnizione.

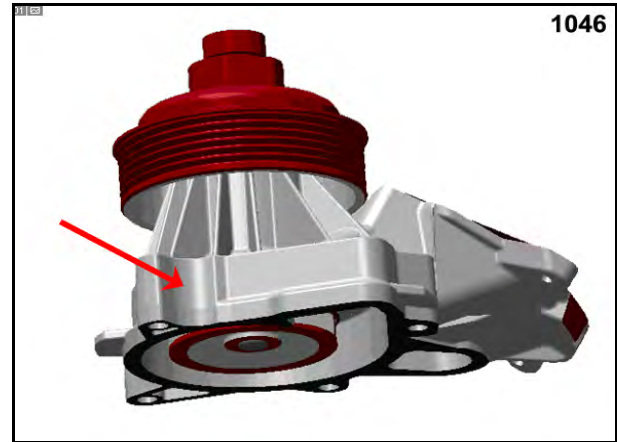
In the indicated zone (see red arrow) the two references have different shapes of the housing and consequently of the gasket

Corpo Pompa / Pump housing

24-0836/PA836/10836



24-1046/PA1046/101046



Guarnizione / Gasket

24-0836/PA836/10836



24-1046/PA1046/101046

