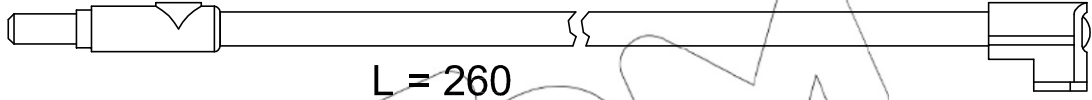
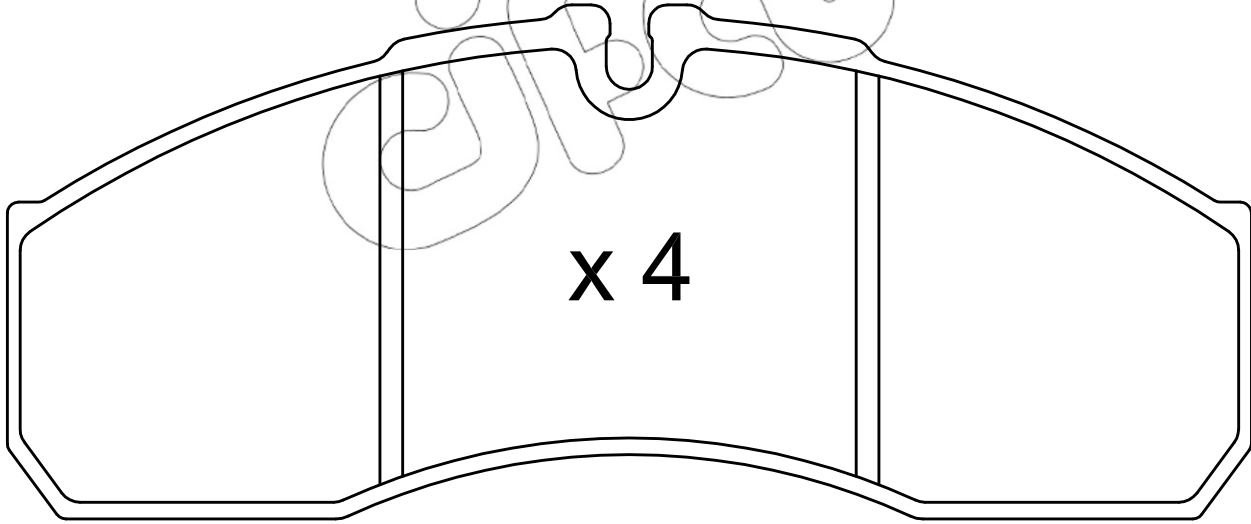


x 2

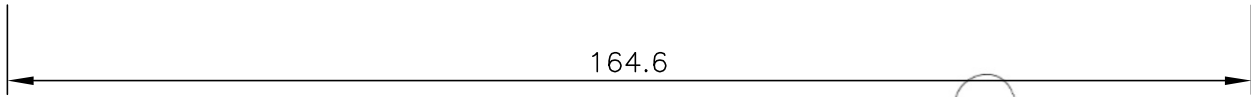


L = 260

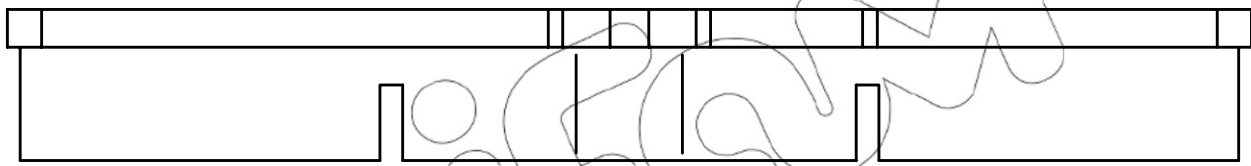


x 4

68



164.6



20

difom