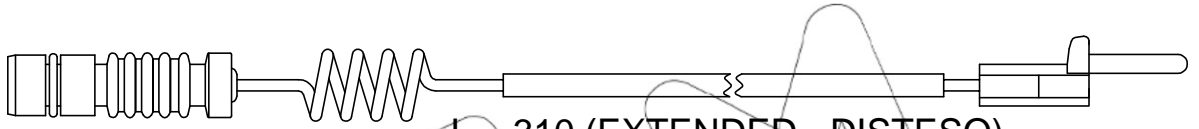
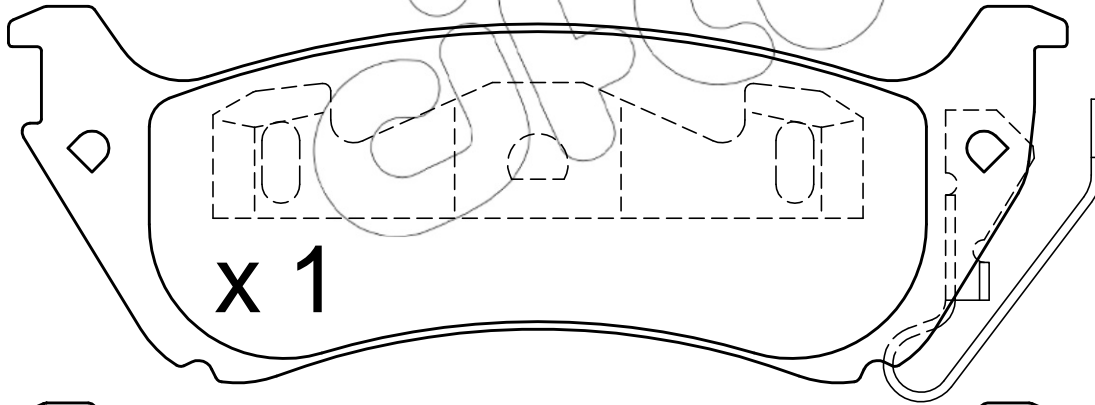


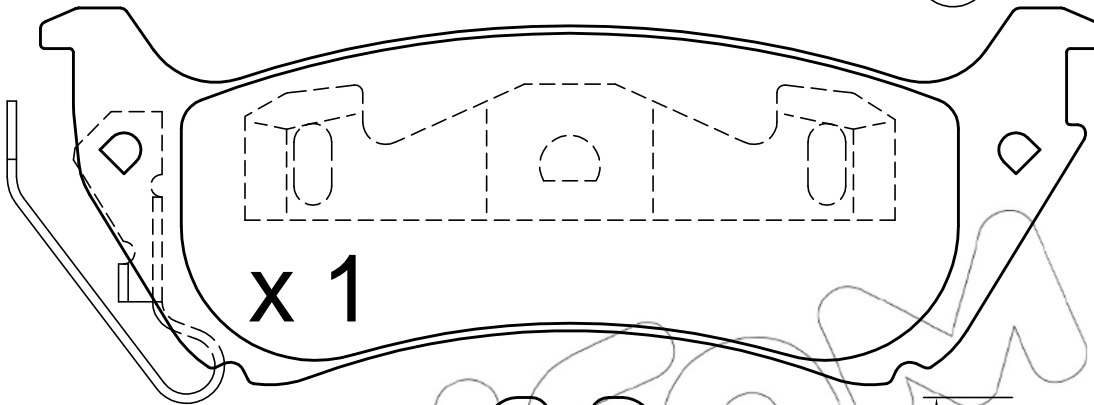
x 1



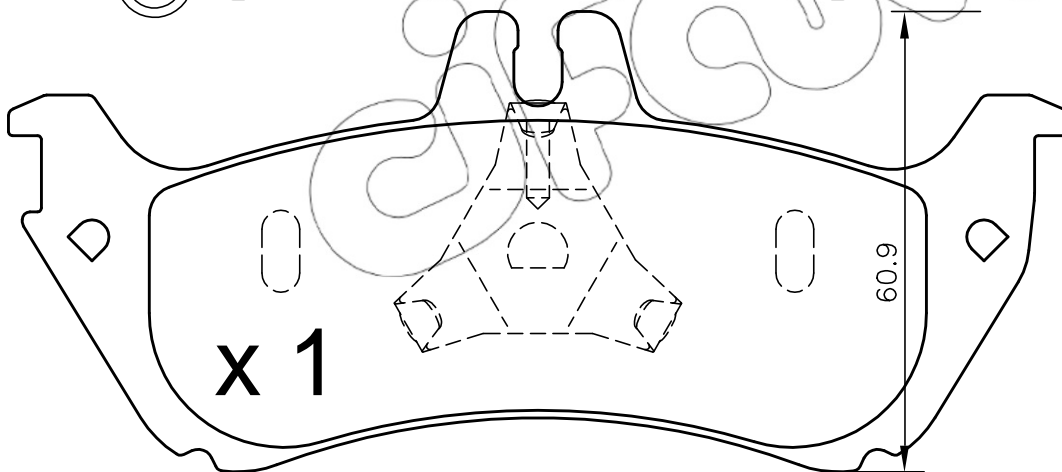
L = 310 (EXTENDED - DISTESO)



x 1

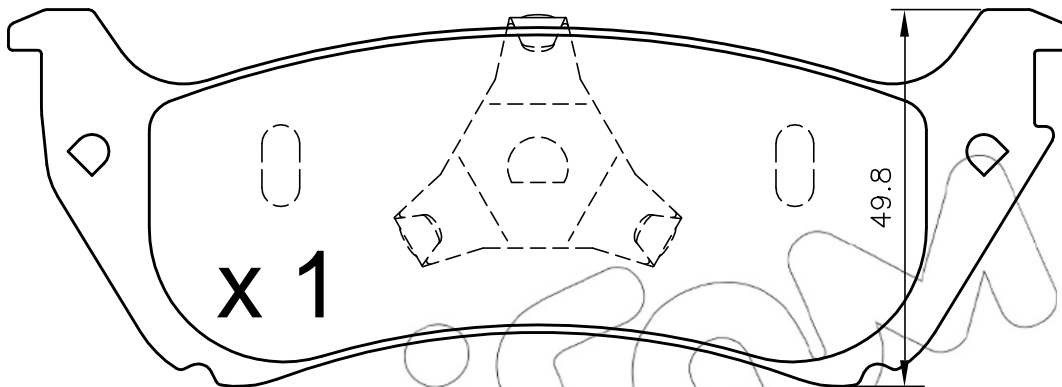


x 1



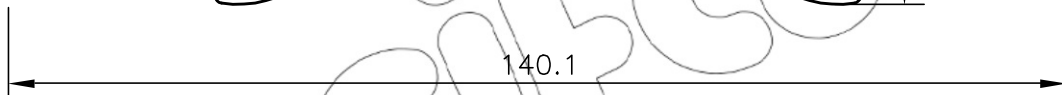
x 1

60.9

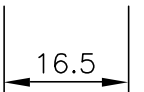
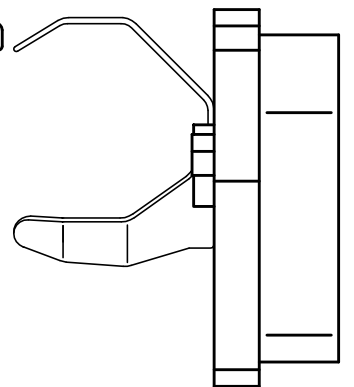
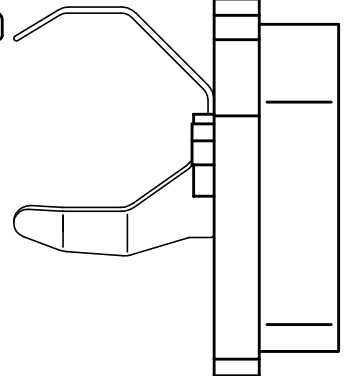
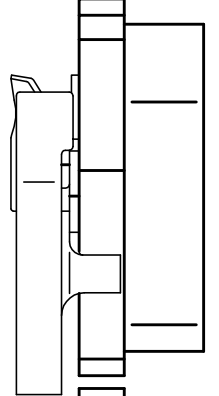
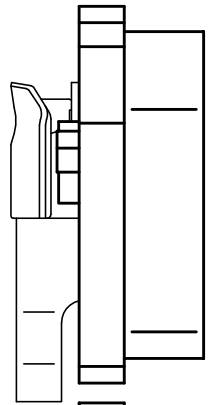


x 1

49.8



140.1



16.5