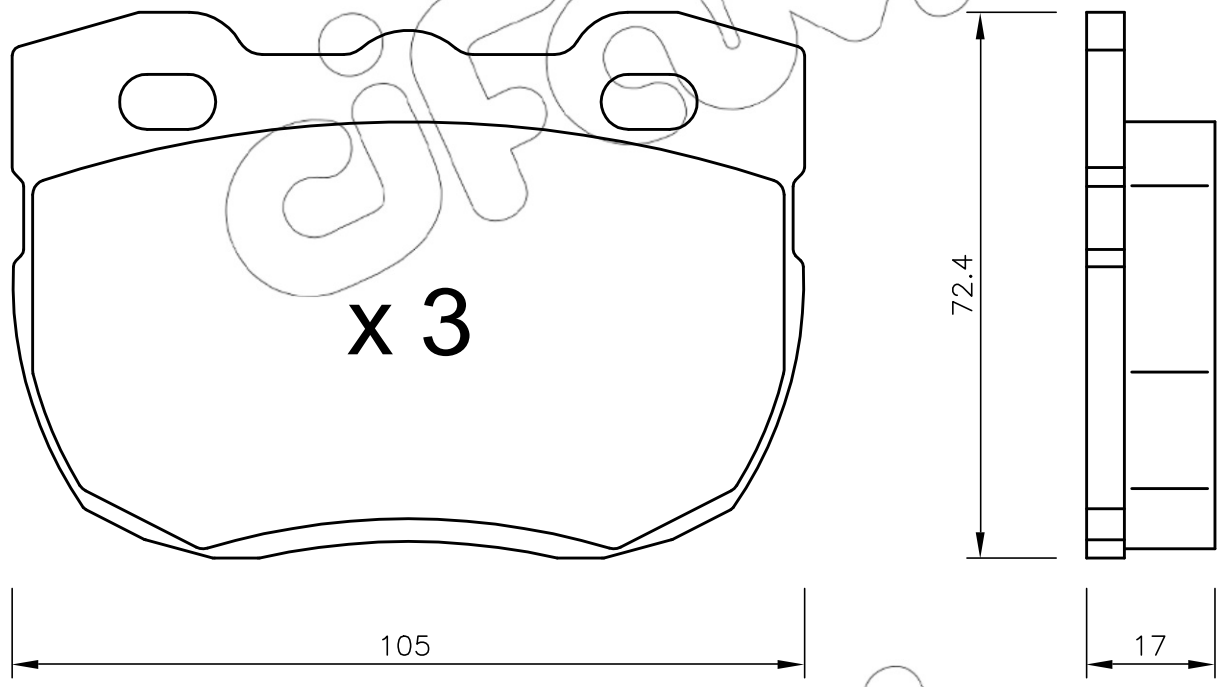


**x 1**



**x 3**

105

72.4

17

ifom