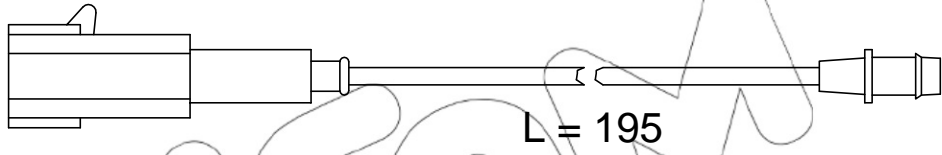
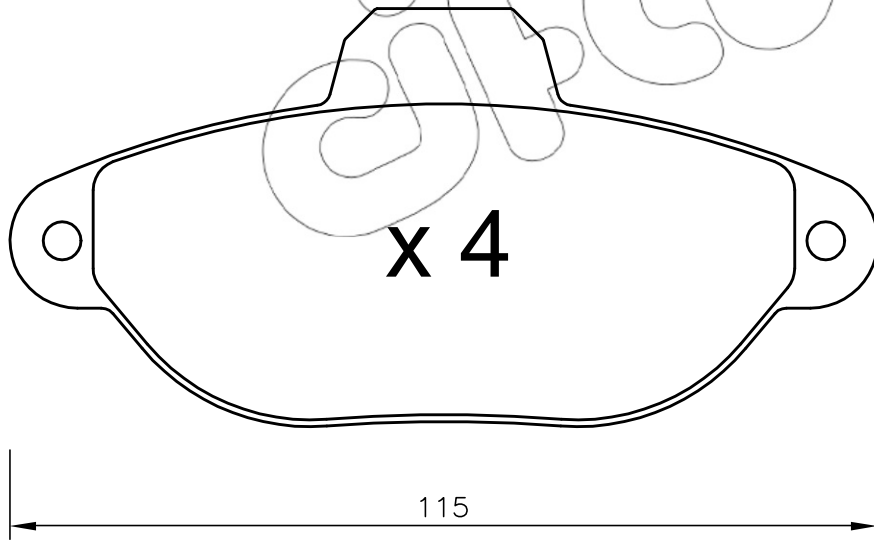


x 2

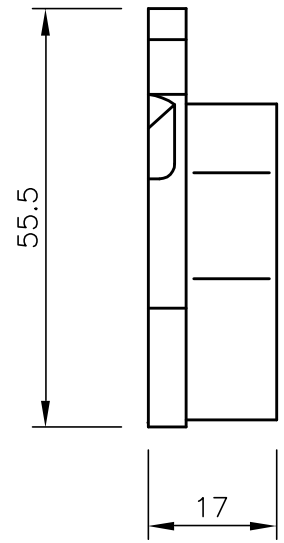


L = 195



x 4

115



55.5

17

iFAM

iFAM