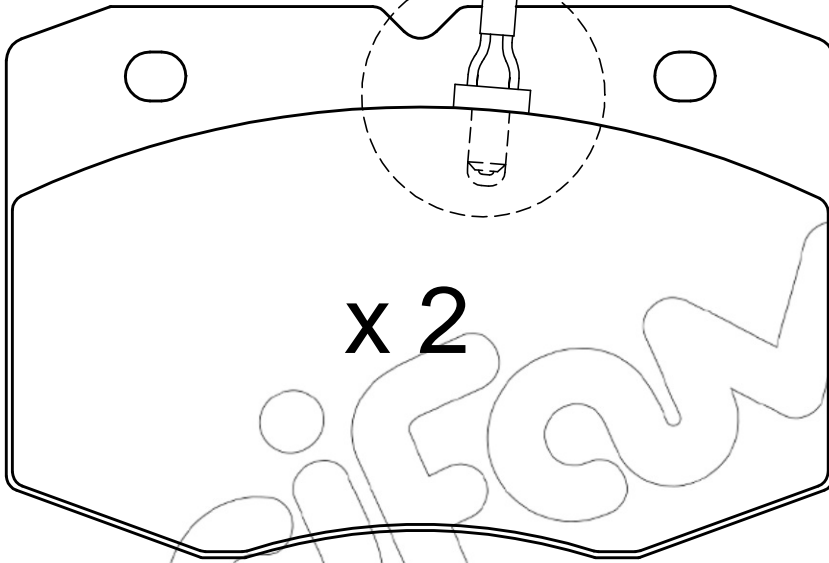
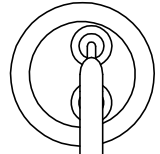
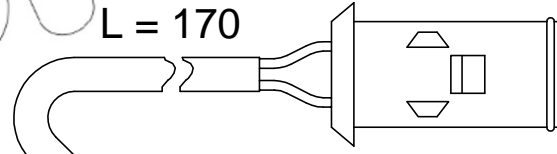
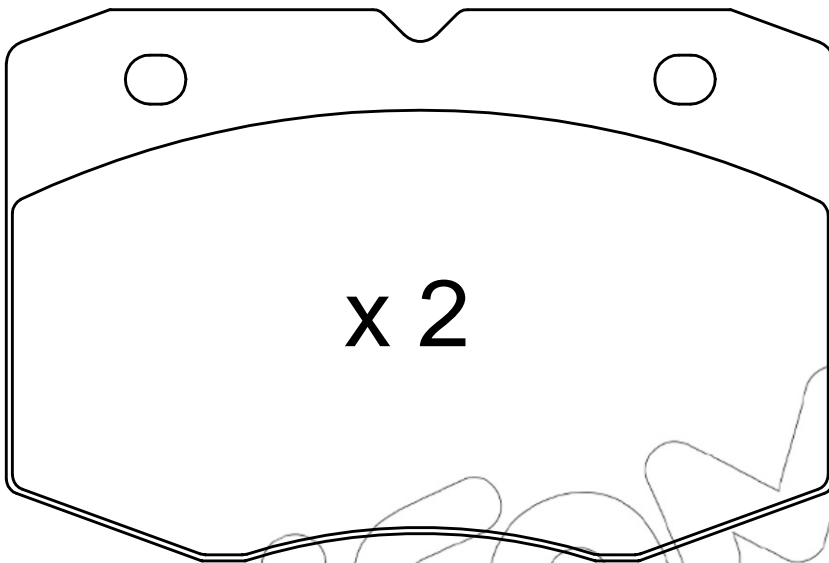
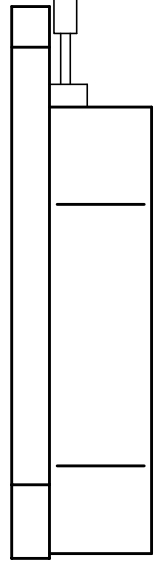


L = 170



x 2



x 2

