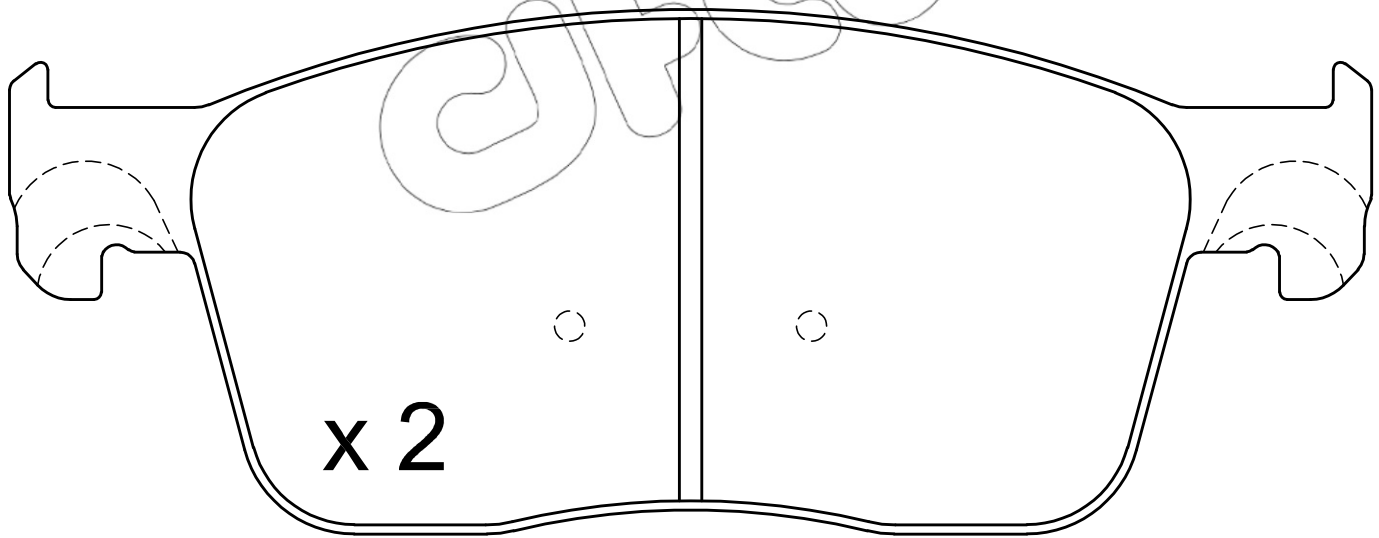
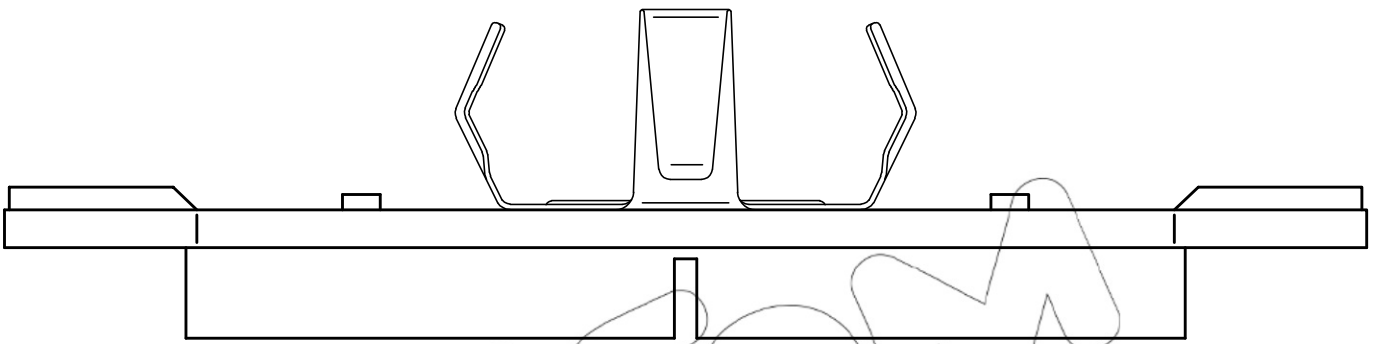
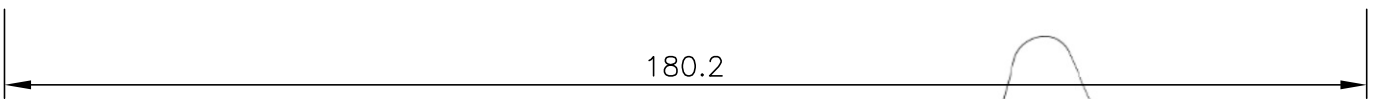


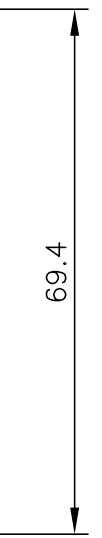
x 2



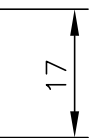
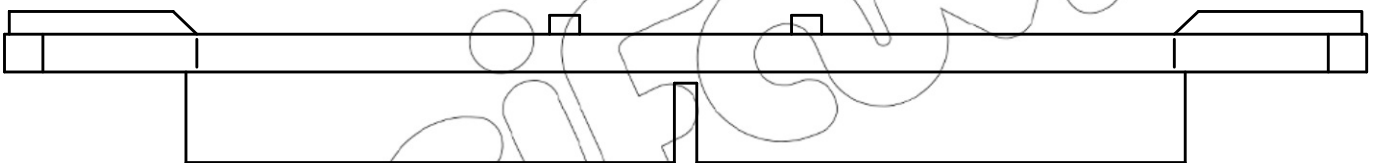
x 2



180.2



69.4



17