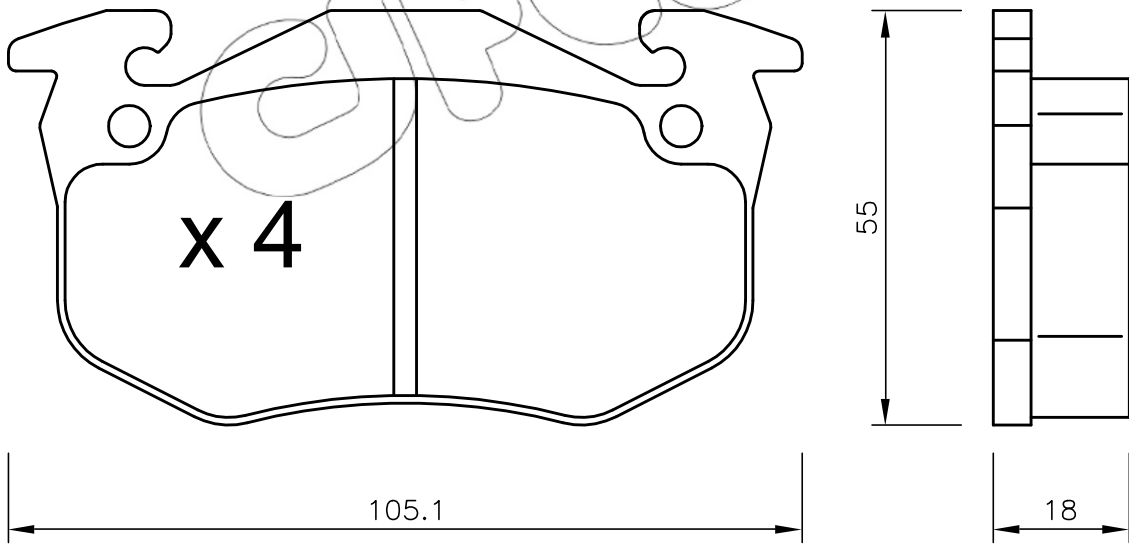


x 2 L = 140



*ifam*

*ifam*