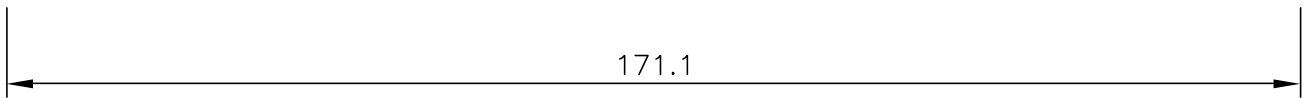
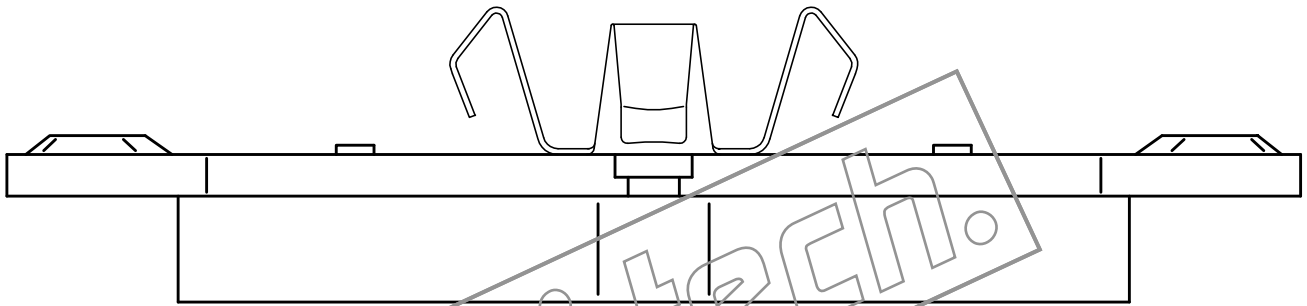


x 2

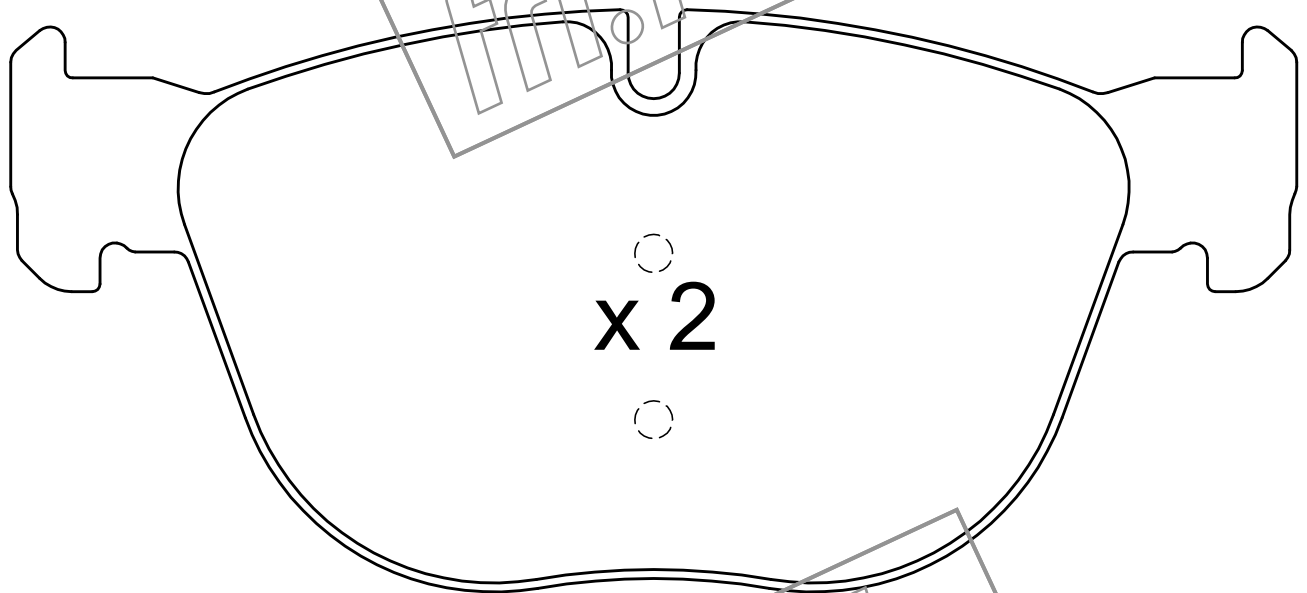
77



171.1

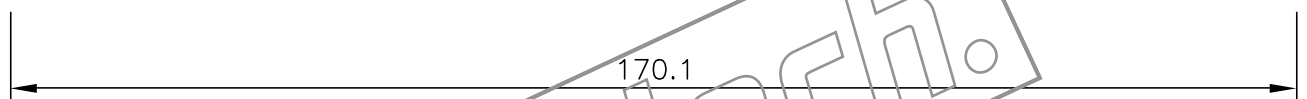


19.5

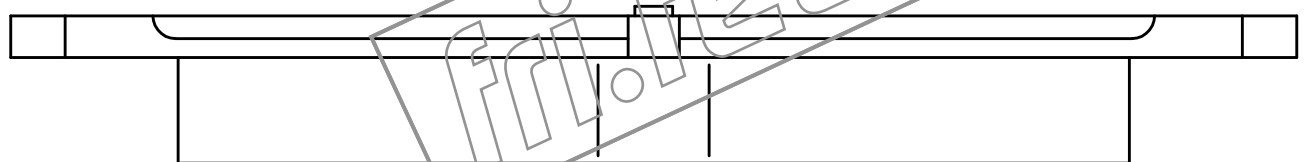


x 2

77



170.1



19.5