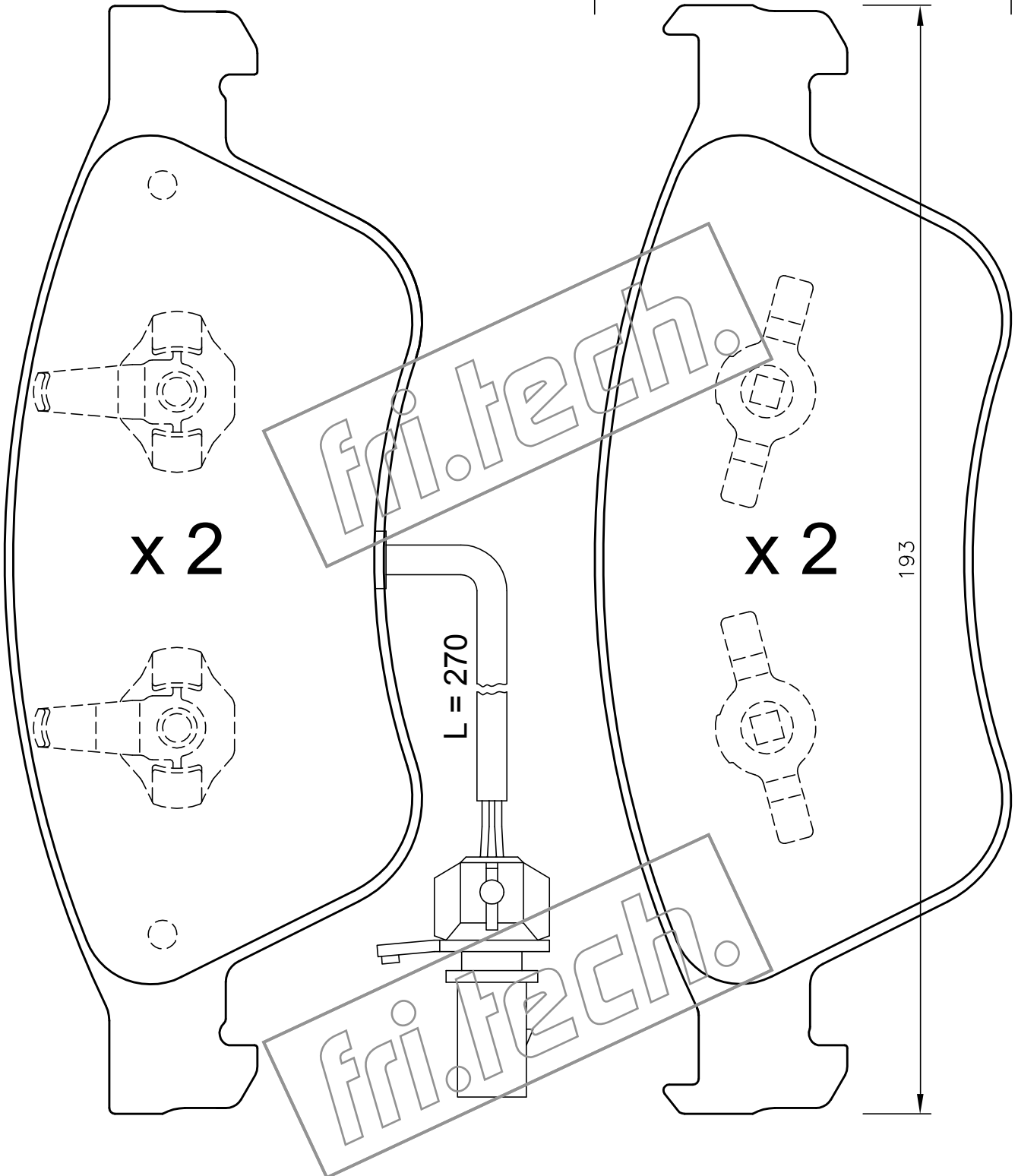


72.5



x 2

x 2

L = 270

193