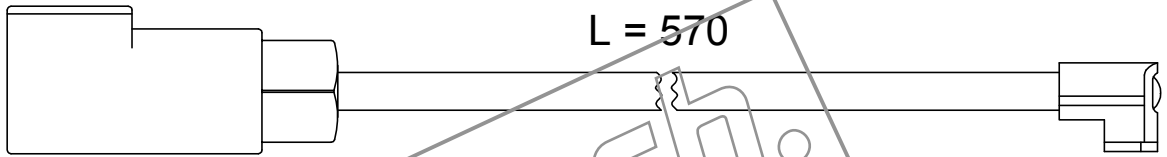
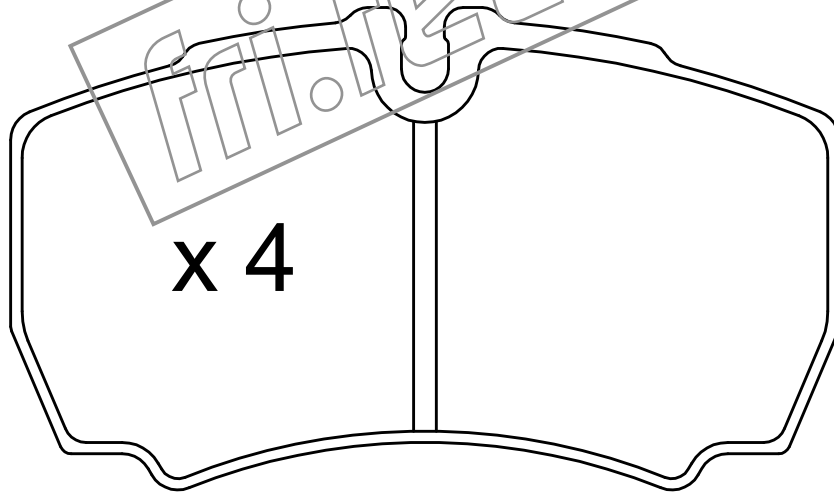


x 2



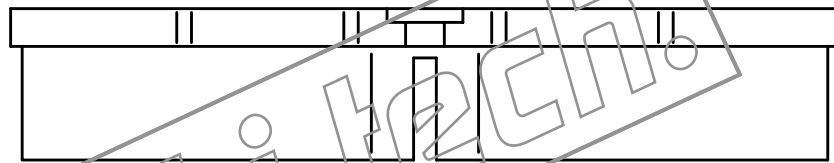
L = 570



x 4

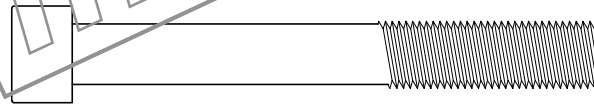
63.8

109.6



20

x 4



L = 78

fri.tech.