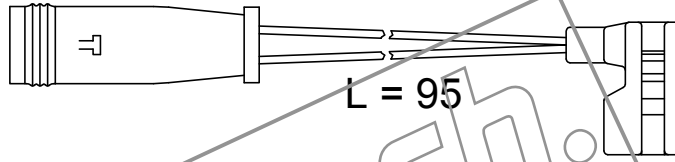
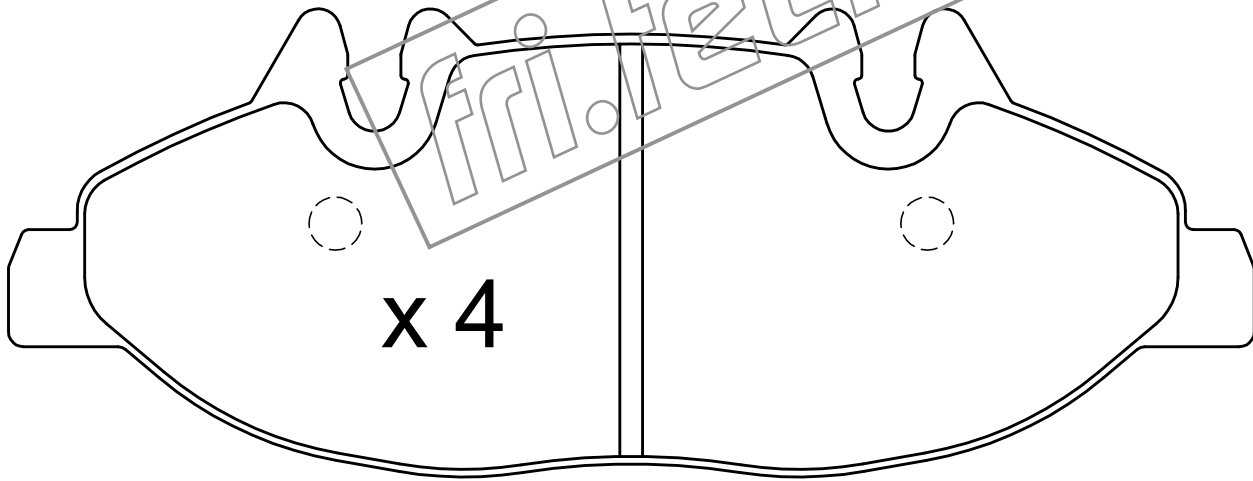


x 2



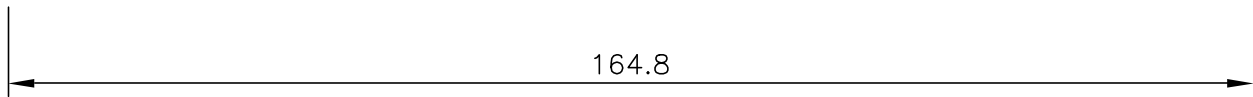
L = 95



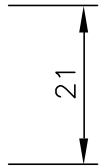
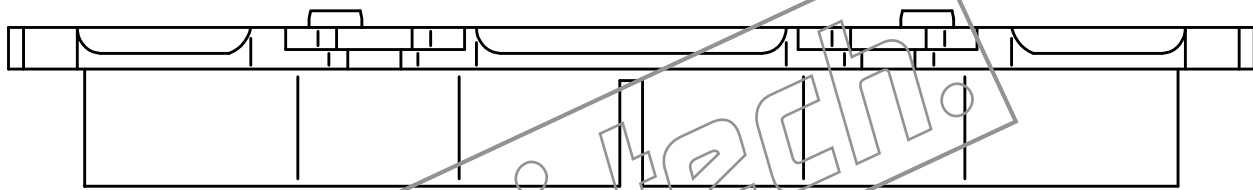
x 4



61.9



164.8



21

fri.tech.