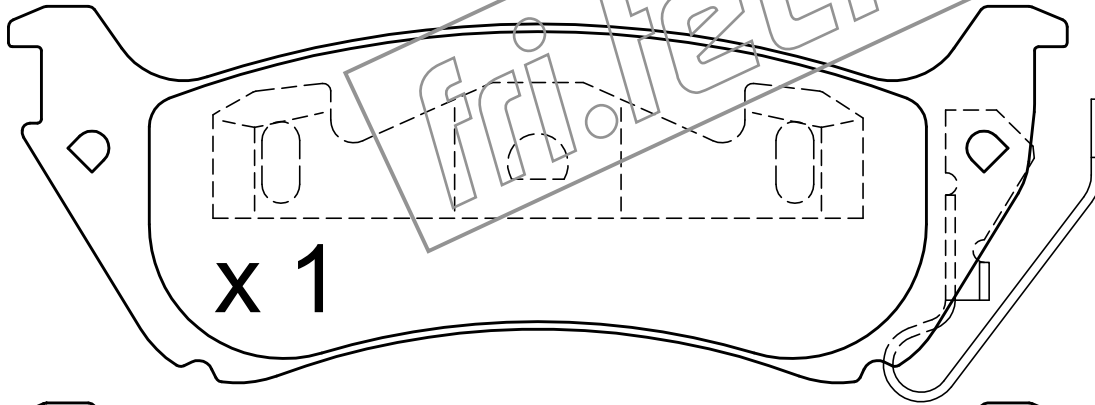


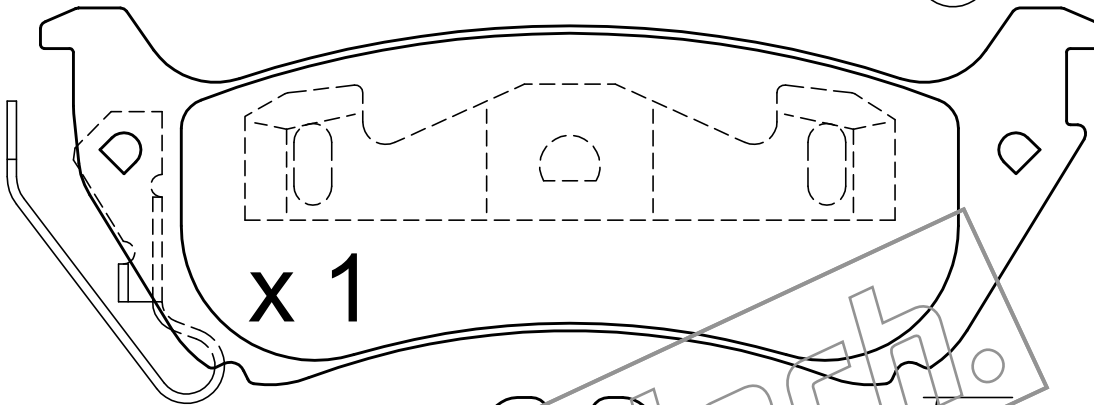
x 1



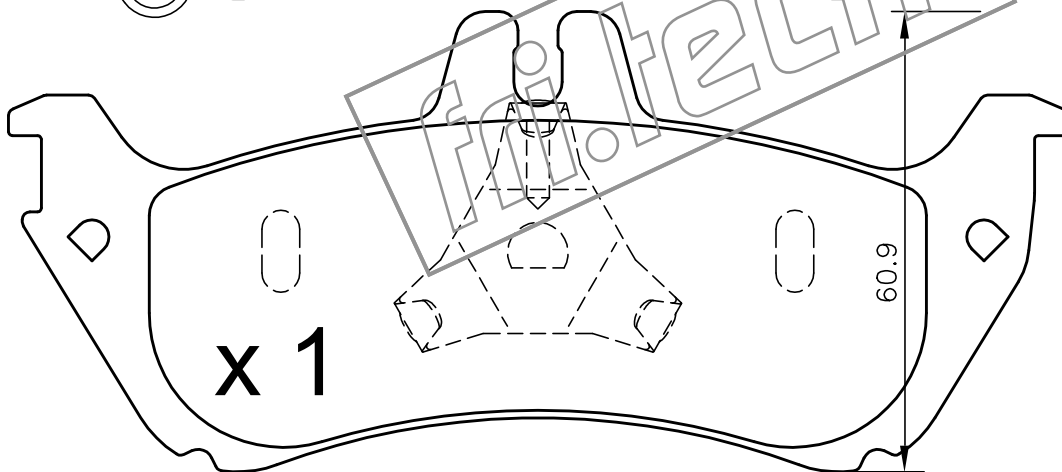
L = 310 (EXTENDED - DISTESO)



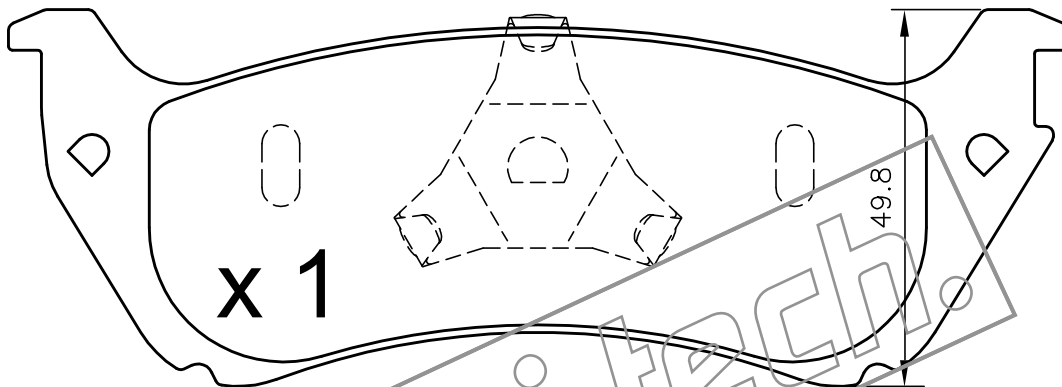
x 1



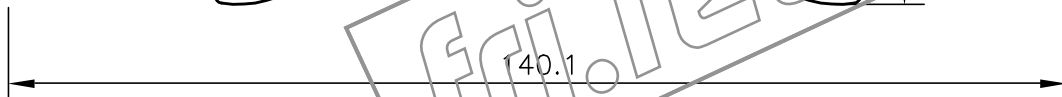
x 1



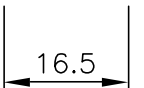
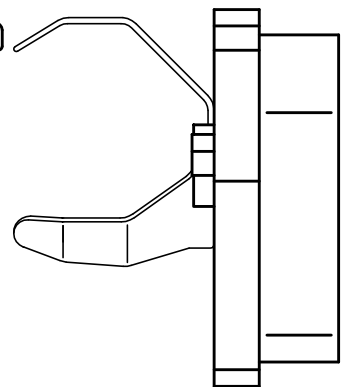
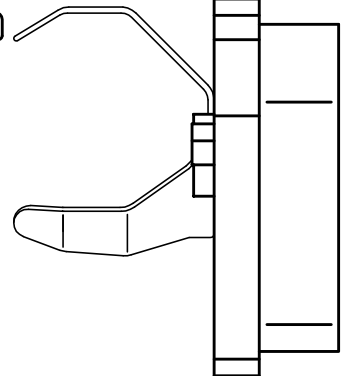
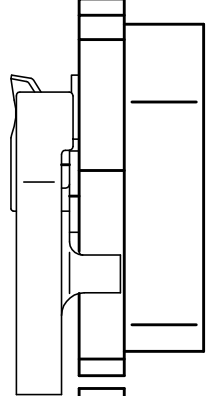
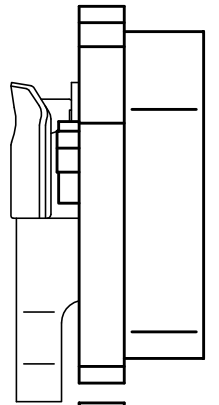
x 1



x 1



40.1



16.5