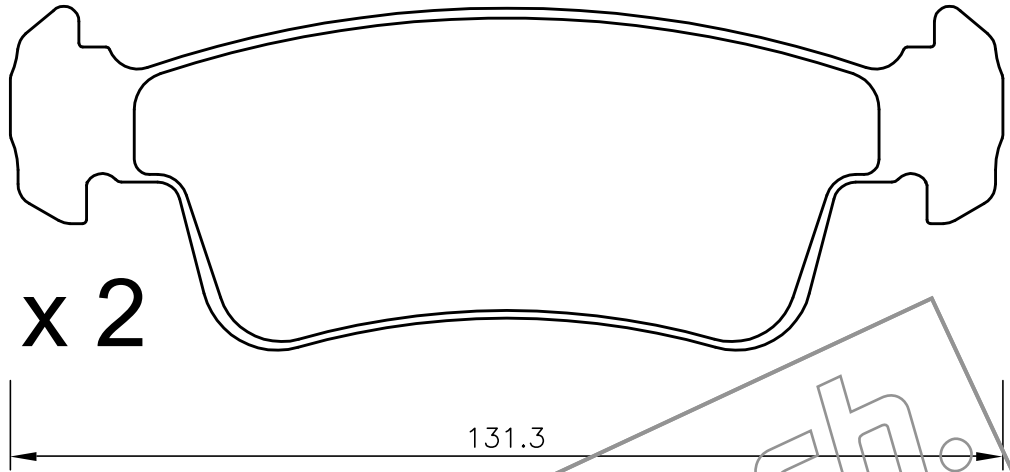
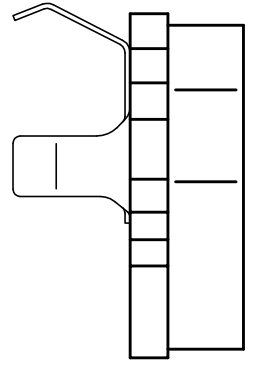
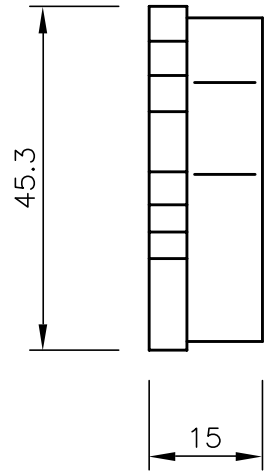


x 2



x 2

131.3



15

