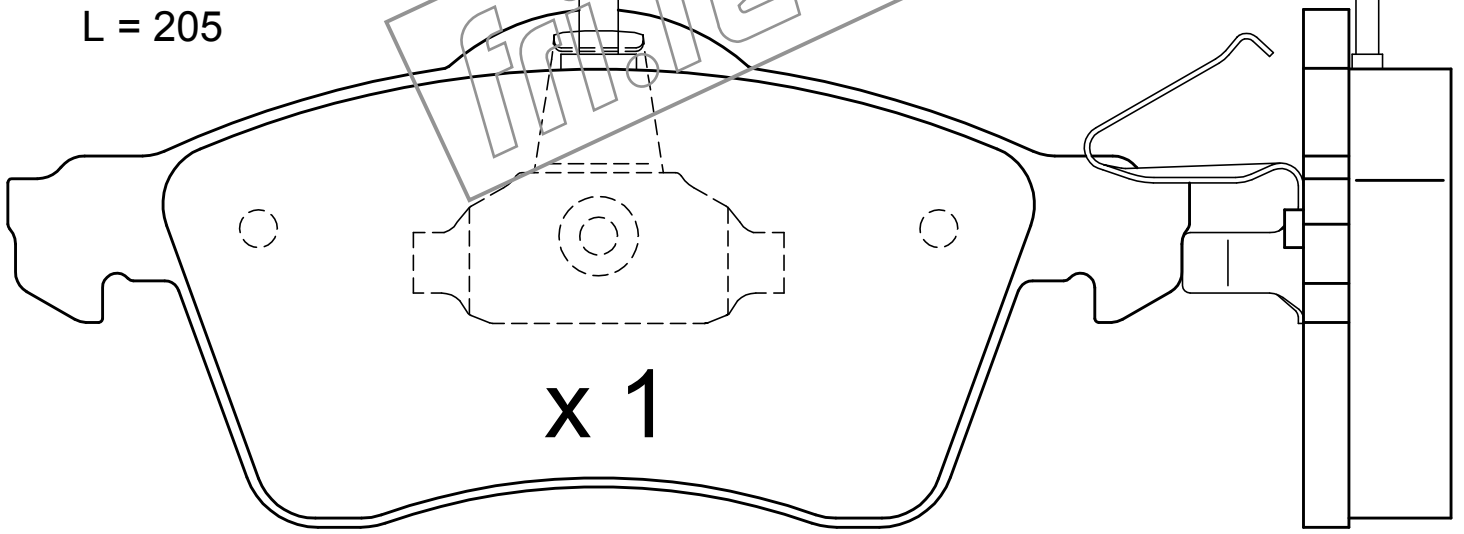
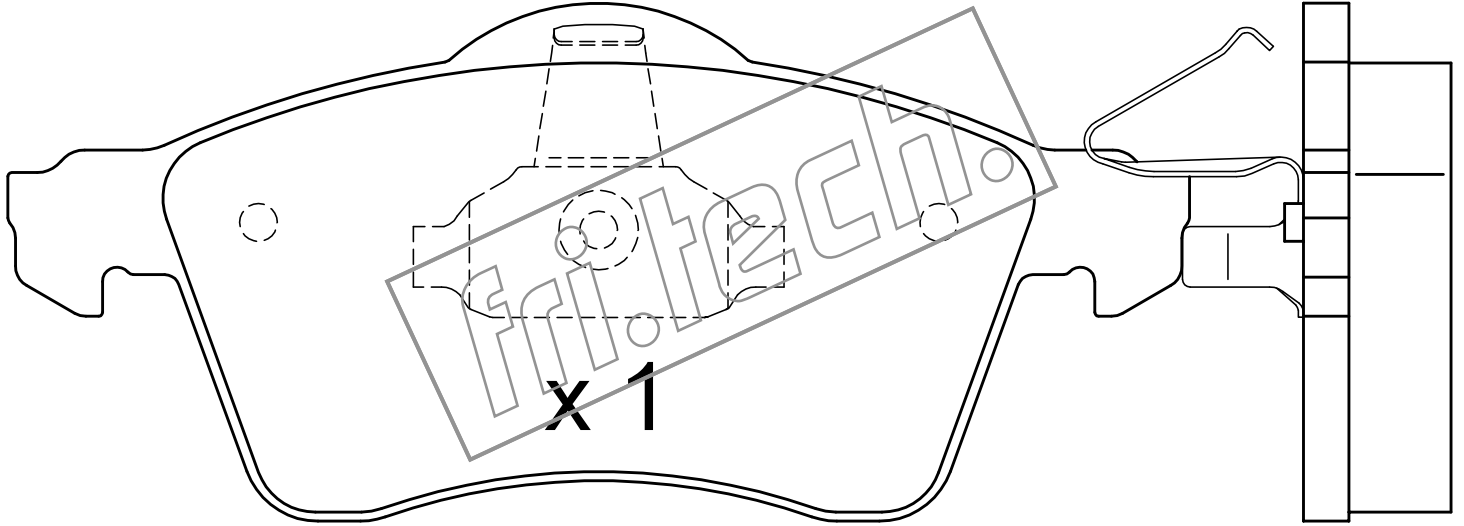


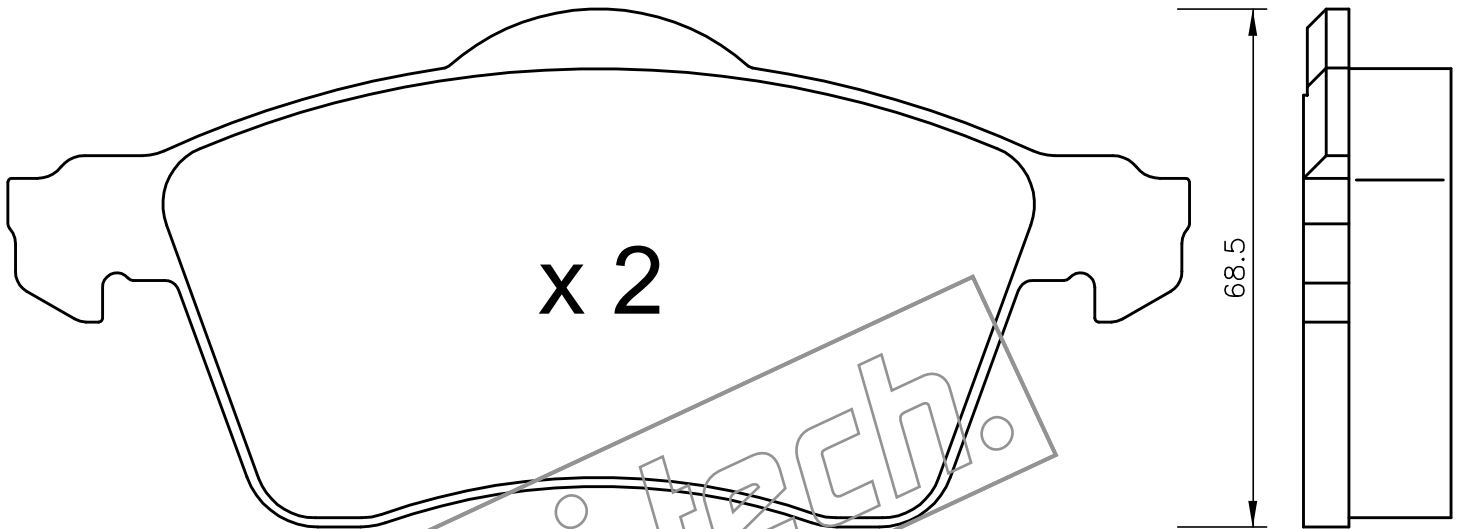
$L = 205$



x 1



x 1



x 2

156.3

68.5

19.5